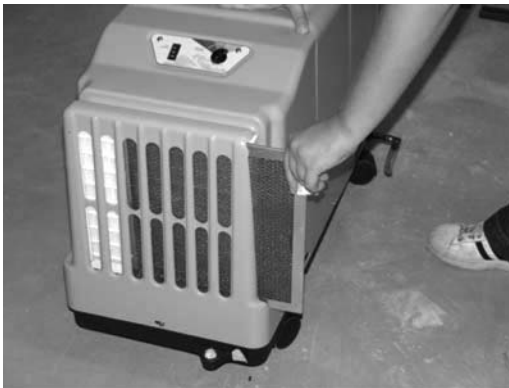


Technical Service Bulletin for Santa Fe Advance Dehumidifier Preparing Dehumidifier for Remote Humidity Controller

The following instructions detail the dehumidifier disassembly, removal of high voltage controls, designation of high voltage wiring, and dehumidifier reassembly.

Stop!

These operations should only be conducted by a licensed electrician! The control that will be installed must be able to switch/operate at 115 VAC! All electrical connections should follow the NEC regulations!



Step 1.

Remove pre-filter and primary filter.



Step 2.

Remove all eight (8) #10-32 screws with a Phillips head screw driver. These are located around the perimeter of the top cover.



Technical Service Bulletin for Santa Fe Advance Dehumidifier Preparing Dehumidifier for Remote Humidity Controller



Step 3.

Remove two (2) #10-24 screws from the control plate using a Phillips head screw driver.



Step 4.

Removed humidity control switch knob.



Step 5.

Remove control plate and top cover from dehumidifier. Set aside.

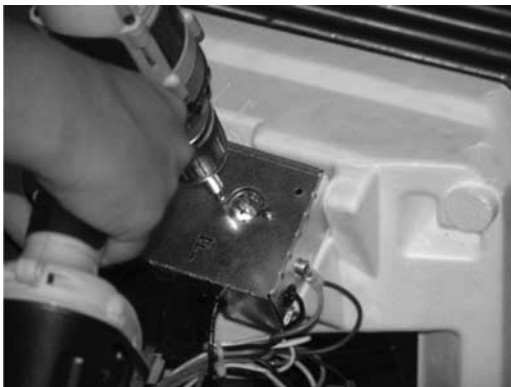


Therma-Stor LLC

Driven by performance. Powered by design.™

P.O. Box 8680 Madison, WI 53708 • TOLL-FREE 1-800-533-7533 • www.thermastor.com • sales@thermastor.com

Technical Service Bulletin for Santa Fe Advance Dehumidifier Preparing Dehumidifier for Remote Humidity Controller



Step 6.

Remove two (2) #8 screw from the electrical box. These screws hold the humidity control switch in place.



Step 7.

Remove the electrical box assembly from the styrofoam case. Electrical box is taped to Styrofoam. You may need to pull firmly. Do not lean, pry, or press anywhere on the Styrofoam case! You may damage the Styrofoam case.



Step 8.

Turn electrical box over and twist two (2) locking tabs. Align the locking tabs with the rectangular slots.

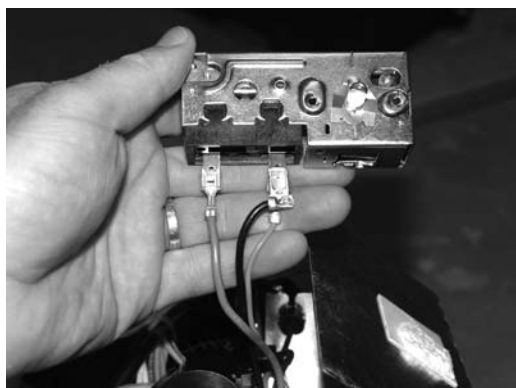


Technical Service Bulletin for Santa Fe Advance Dehumidifier Preparing Dehumidifier for Remote Humidity Controller



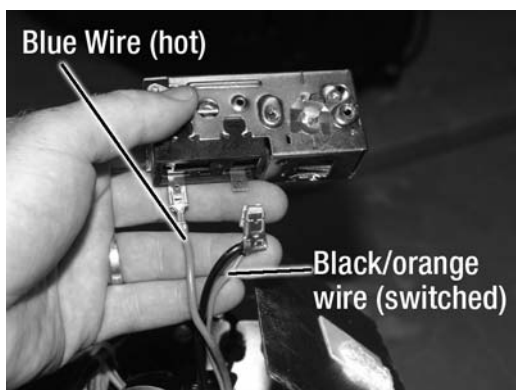
Step 9.

Partially open the box by hand.
Do not bend any further than
shown.



Step 10.

Remove humidity control switch
from the electrical box.

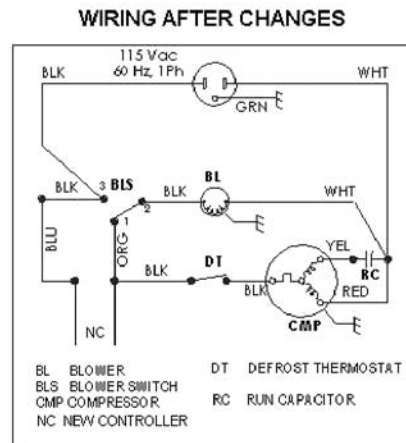
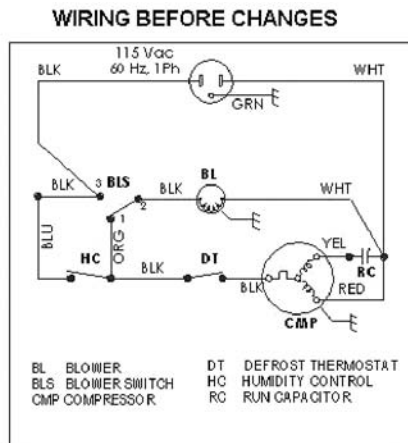


Step 11.

Remove orange/black wires and
blue wire from humidity control
switch.

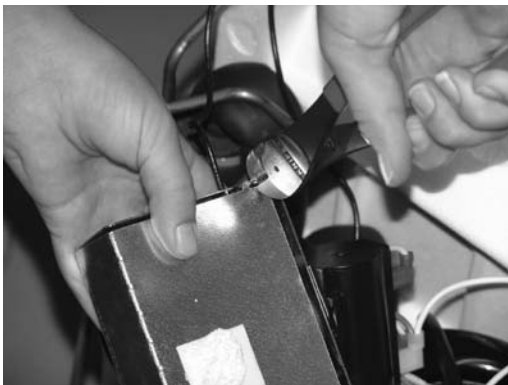


Technical Service Bulletin for Santa Fe Advance Dehumidifier Preparing Dehumidifier for Remote Humidity Controller



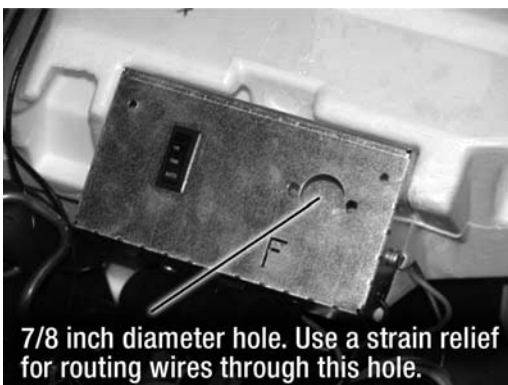
Step 12.

Electrical connections should be conducted by a licensed electrician and all electrical connections should follow the NEC regulations. Connect new controller power wires to orange/black wires and blue wire, as shown in above diagram. New controller must be able to handle 115 VAC switched. Ensure any connections are housed in the electrical box.



Step 13.

Bend rear flange of electrical box. Twist locking tabs to close box.



Step 14.

Place electrical box back on Styrofoam part. 7/8" diameter hole can be used for strain relief. Make sure that all electrical connections are inside the electrical box.



Therma-Stor LLC

Driven by performance. Powered by design.™

P.O. Box 8680 Madison, WI 53708 • TOLL-FREE 1-800-533-7533 • www.thermastor.com • sales@thermastor.com

Technical Service Bulletin for Santa Fe Advance Dehumidifier Preparing Dehumidifier for Remote Humidity Controller



Step 15.
Place top cover back on the dehumidifier. Install front cover plate with the same screws removed in step 3. Be careful not to over torque the screws.



Step 16.
Hand start the top cover screws. Use same screws removed in step 2. Use a Phillips head screw driver to tighten. Be careful not to over torque the screws.



Step 17.
Slide in primary filter and pre-filter.



Therma-Stor LLC

Driven by performance. Powered by design.™

P.O. Box 8680 Madison, WI 53708 • TOLL-FREE 1-800-533-7533 • www.thermastor.com • sales@thermastor.com