

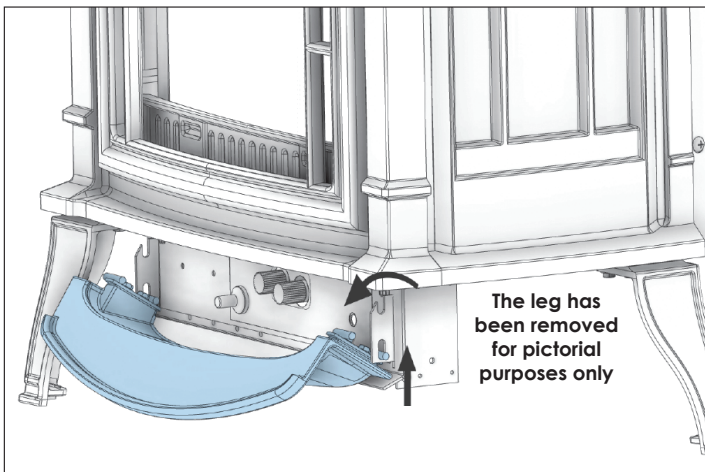
B150 Everwarm Blower Instruction Sheet

RHEOSTAT INSTALLATION

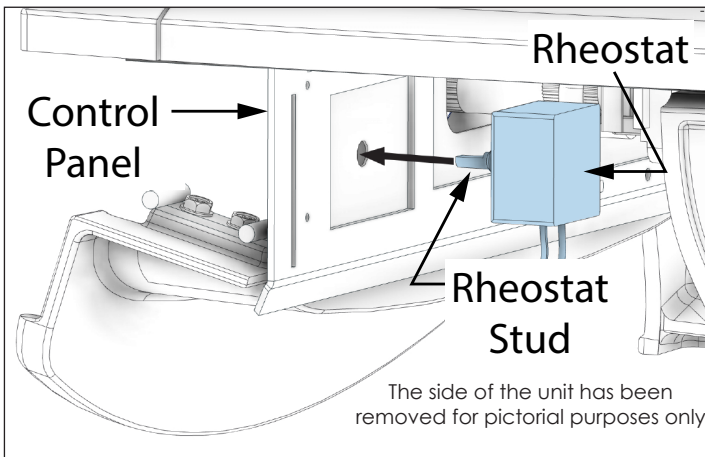
ATTENTION:

THE BLOWER ASSEMBLY MUST NOT BE CONNECTED TO THE SOURCE OF ELECTRICAL SUPPLY WHILE ATTEMPTING INSTALLATION. THIS IS AN OPTIONAL BLOWER KIT. IF THE HEATER HAS BEEN PREVIOUSLY USED ALLOW ADEQUATE COOLING TIME. DO NOT ATTEMPT INSTALLATION IF THE HEATER IS HOT.

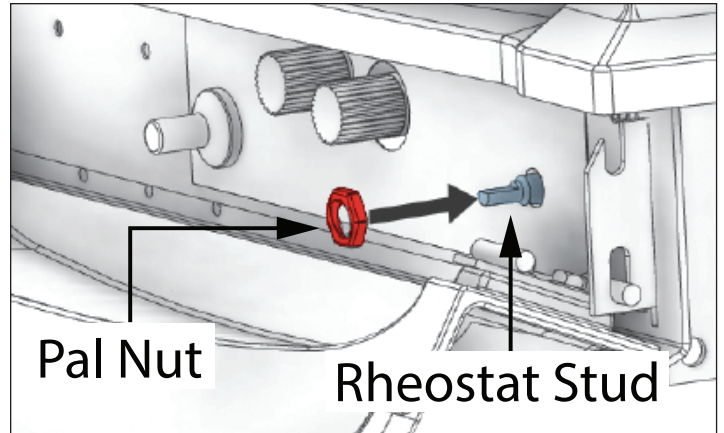
1. Lift the ash lip up and pivot back to open the control door.



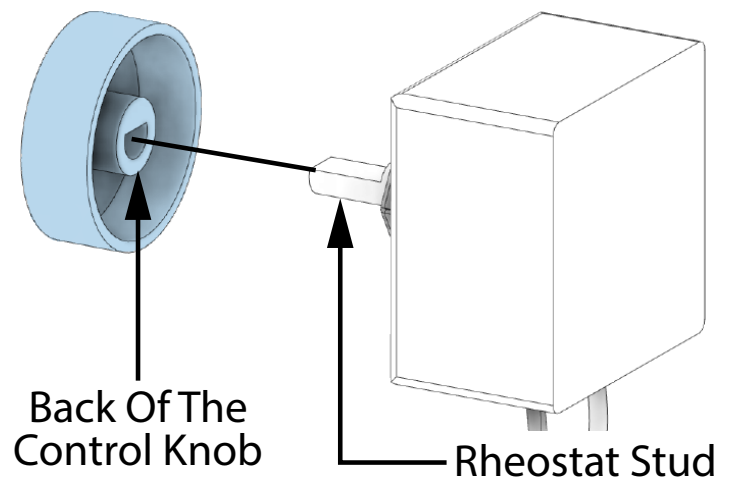
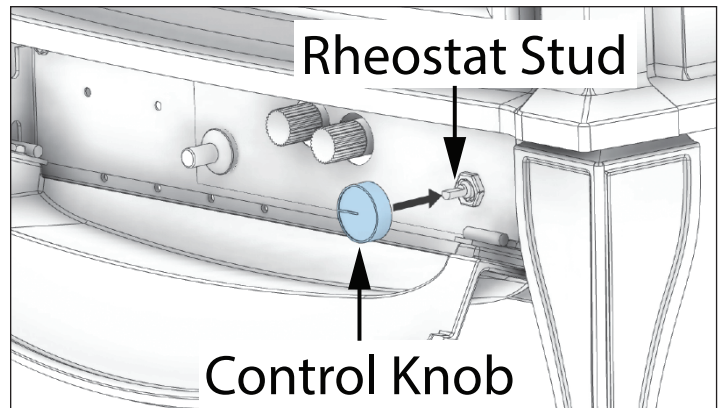
2. Mount the rheostat by inserting into the back panel as shown and use the nut provided to secure in place, making sure that the wires are pointing down, toward the floor. Tighten the nut firmly.



3. Once the rheostat is in position screw the pal nut onto the rheostat stud through the front side of the control panel. The pal nut is used to secure the rheostat to the control panel.



4. Press the control knob onto the rheostat stud.

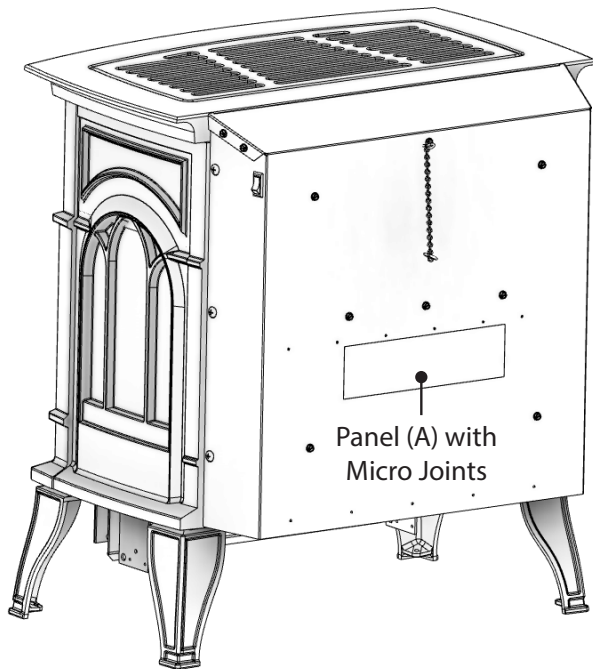


BLOWER INSTALLATION

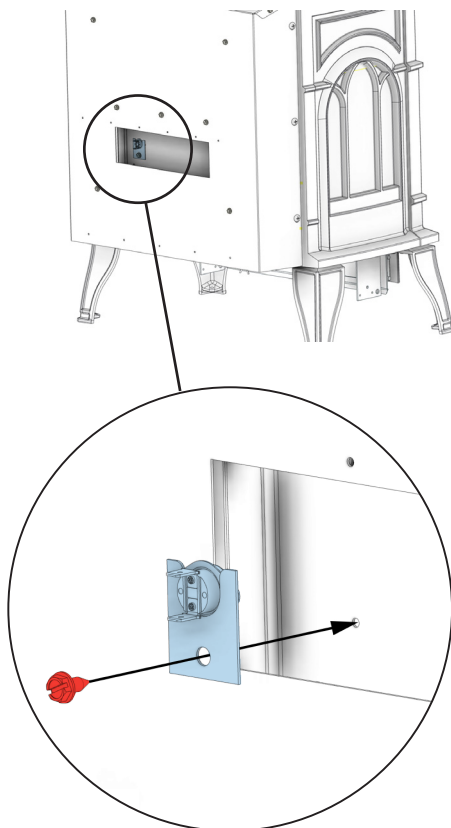
The Blower assembly **MUST NOT BE CONNECTED** to the source of electrical supply while attempting installation.

1. Cut the micro joints and remove panel (A).

Note: Discard the panel.



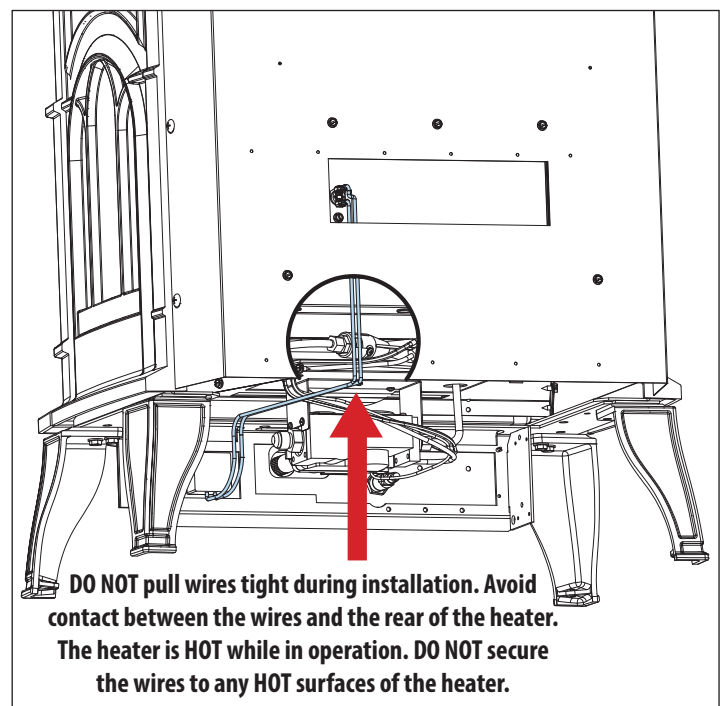
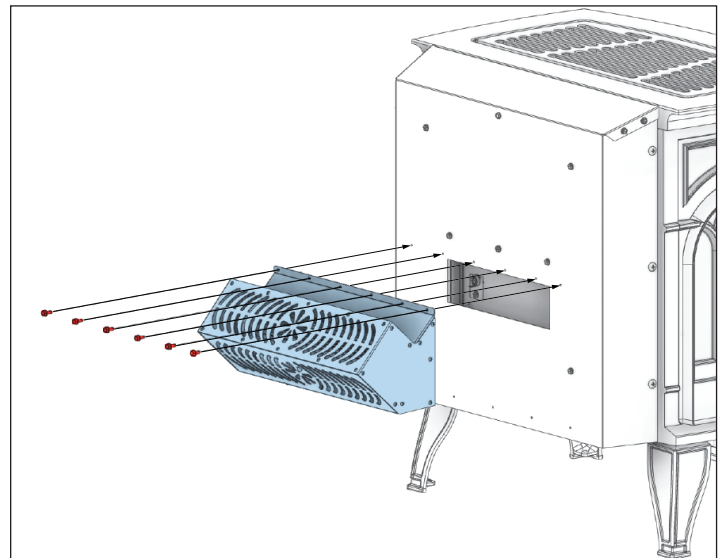
2. Using the provided screw and mounting hole in the area shown, secure the bracket to the back of the firebox. (NOTE: If the wires are connected to the snap disc out-of-the-box, disconnect these wires from the disc to make it easier for mounting)

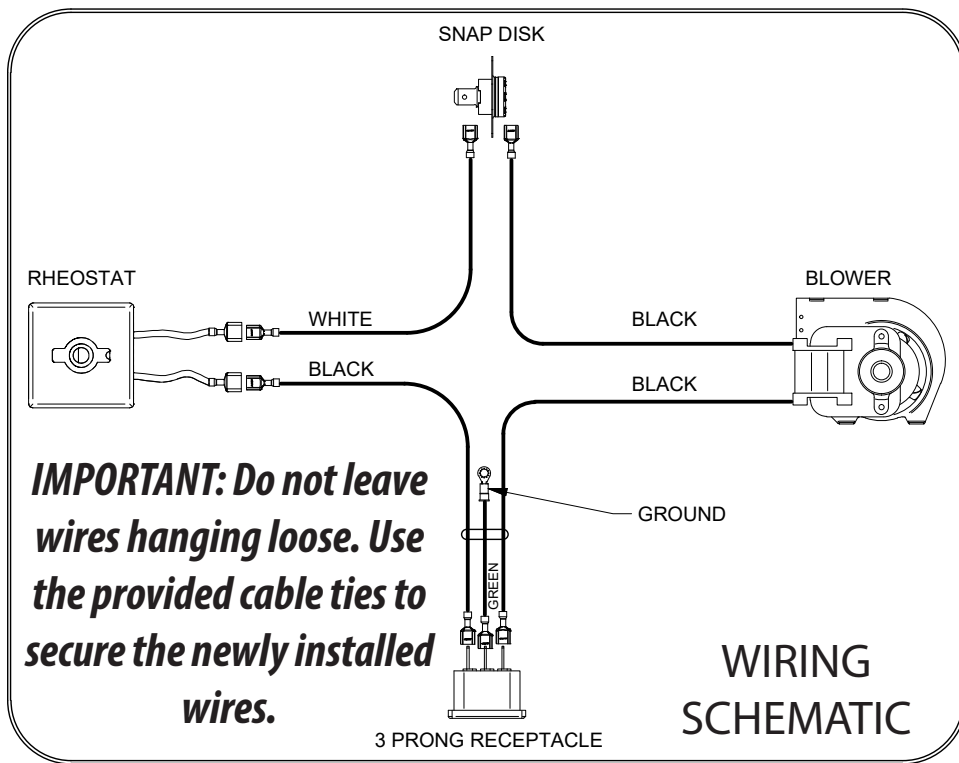


3. Prepare to mount the blower assembly by locating the hardware provided for attachment. Feed the wiring harness down the opening for the blower. The two shorter wires should be connected to the snap disc first. Then attach the blower in place with the screws provided. The remaining two wires will connect to the Rheostat installed in previous steps. (See wiring schematic)

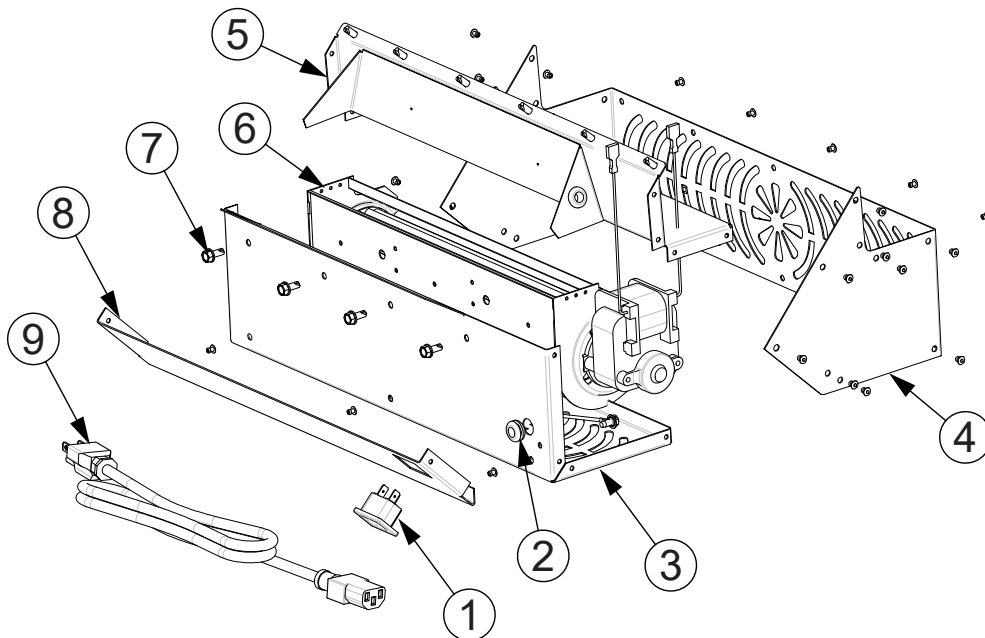
ATTENTION:

USE THE PROVIDED CABLE TIES TO ATTACH THE NEWLY INSTALLED WIRES TO THE EXISTING WIRES LOCATED AT THE BOTTOM OF THE HEATER. THE BOTTOM AND REAR SIDES OF THE HEATER ARE HOT DURING NORMAL OPERATION. DO NOT SECURE THE WIRES TO ANY HOT SURFACE OF THE HEATER.





DO NOT ROUTE THE SUPPLY CORD NEAR OR ACROSS HOT SURFACES!



Key	Part #	Description	Qty
1	80462	Receptacle, 3 Prong	1
2	892618	Rubber Grommet (5/16 ID)	2
3	893854	Blower Mount	1
4	893855	Blower Wrap	1
5	893859	Air Ramp Assy	1
6	80834	Blower	1
7	83343	#10x1/2 HX HD DP OX Black	11
8	893853	Blower Base	1
9	80461	Power Supply Cord	1

IN ORDER TO MAINTAIN WARRANTY, COMPONENTS MUST BE REPLACED USING ORIGINAL MANUFACTURERS PARTS PURCHASED THROUGH YOUR DEALER OR DIRECTLY FROM THE APPLIANCE MANUFACTURER. USE OF THIRD PARTY COMPONENTS WILL VOID THE WARRANTY.

