




# AS150 Series Steam Humidifier with Steam Blower




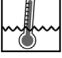



Installation, Operation, and Maintenance Manual



READ AND SAVE THESE INSTRUCTIONS

# Warnings and cautions

 <b>WARNING</b>	<b>CAUTION</b>
Indicates a hazardous situation that could result in death or serious injury if instructions are not followed.	Indicates a hazardous situation that could result in damage to or destruction of property if instructions are not followed.

 <b>WARNING</b>	
	<p><b>Attention installer</b>                      Read this manual before installing, and leave this manual with product owner. This product must be installed by qualified HVAC and electrical contractors. Installation must be code approved. Improper installation can cause property damage, severe personal injury, or death as a result of electric shock, burns, or fire.</p> <p>Anden Technical Support: 800-972-3710</p> <p><b>Read all warnings and instructions</b>                      Read this manual before performing service or maintenance procedures on any part of the system. Failure to follow all warnings and instructions could produce the hazardous situations described, resulting in property damage, personal injury, or death.</p> <p>Failure to follow the instructions in this manual can cause moisture to accumulate, which can cause bacteria and mold growth or dripping water into building spaces. Dripping water can cause property damage; bacteria and mold growth can cause illness.</p>
  	<p><b>Hot surfaces and hot water</b>                      This steam humidification system has extremely hot surfaces. Water in steam cylinders, steam tubing, and dispersion assemblies can be as hot as 212 °F (100 °C). Discharged steam is not visible. Contact with hot surfaces, discharged hot water, or air into which steam has been discharged can cause severe personal injury. To avoid severe burns, follow the cool-down procedure in this manual before performing service or maintenance procedures on any part of the system.</p>
 	<p><b>Disconnect electrical power</b>                      Disconnect electrical power before installing supply wiring or performing service or maintenance procedures on any part of the humidification system. Failure to disconnect electrical power could result in fire, electrical shock, and other hazardous conditions. These hazardous conditions could cause property damage, personal injury, or death.</p> <p>Contact with energized circuits can cause property damage, severe personal injury, or death as a result of electrical shock or fire. Do not remove cabinet doors until electrical power is disconnected.</p> <p>Follow the shutdown procedure on Page 27 before performing service or maintenance procedures on any part of the system.</p>

# Warnings and cautions



## WARNING



### Electrical shock hazard

If the humidifier starts up responding to a call for humidity during maintenance, severe personal injury or death from electrical shock could occur. To prevent such start-up, follow the shutdown procedure on Page 27.

## CAUTION

### Follow steam piping recommendations

Controlling condensate flow and collection in an Anden AS150 Series humidifier system is critical to maximize performance. Failure to follow the steam piping recommendations in this manual can cause system pressure fluctuations and increase cylinder pressure, steam velocity, and condensate noise.

### Hot discharge water

Discharge water can be as hot as 212 °F (100 °C) and can damage some drain plumbing materials not rated for hot drain water. To prevent such damage, make sure drain water tempering is selected, and supply water is not heated. Do not shut off supply water to the cylinder before it is drained.

### Excessive supply water pressure

Supply water pressure greater than 80 psi (550 kPa) can cause the humidifier to overflow.

# Table of contents

## ATTENTION INSTALLER

### Original Instructions

Read this manual before installing. Leave manual with product owner.

Anden Technical Support  
800-972-3710

### Website:

Documents can be viewed, printed or ordered from our website, [www.anden.com](http://www.anden.com).

<b>WARNINGS AND CAUTIONS</b> .....	ii
<b>PRODUCT OVERVIEW</b> .....	2
<b>SPECIFICATIONS</b> .....	4
Dimensional drawings, capacities, line currents, and fusing .....	4
Dimensions and weights .....	5
Dispersion options .....	6
<b>INSTALLATION</b> .....	7
Selecting a location .....	7
Mounting .....	8
Steam cylinder .....	10
Piping: .....	11
Supply water and drain .....	11
Steam blowers .....	12
Humidifier wiring .....	14
Sensor placement .....	16
Dispersion: .....	17
Selecting the steam blower location .....	17
Steam blowers .....	18

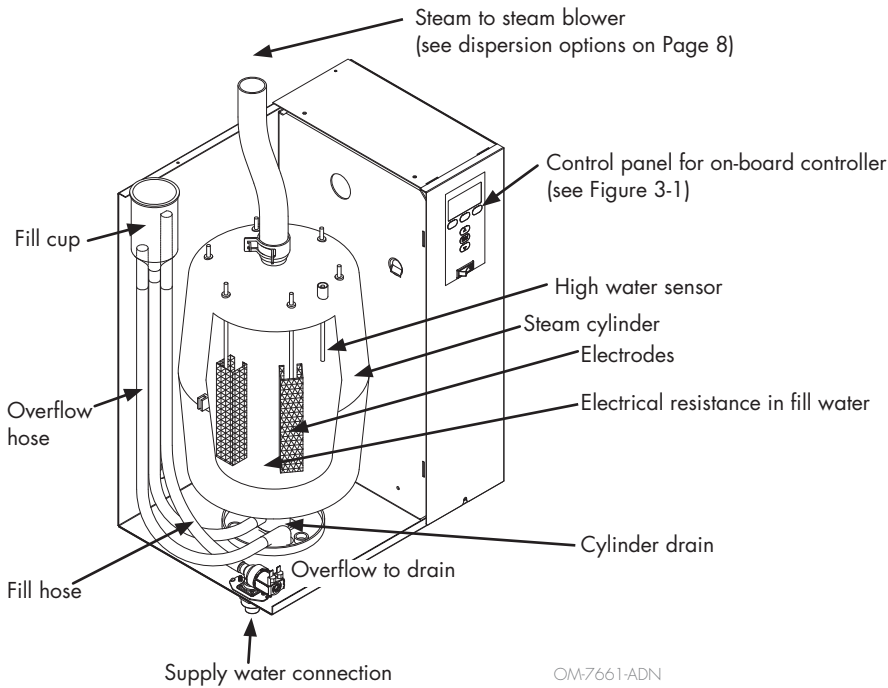
# Table of contents

<b>OPERATION</b> .....	23
Principle of operation .....	23
Start-up checklist .....	25
Anden AS150 series .....	26
<b>MAINTENANCE</b> .....	27
Shutdown and cool-down procedures .....	27
Replacing steam cylinder .....	28
Drain valve .....	29
Troubleshooting .....	30
Replacement parts .....	33

# Product overview

The AS150 series electrode steam humidifiers use heat caused by electrical resistance in their fill water to boil the fill water into humidification steam. Steam output and water conductivity are managed via automatic draining and filling. See Figure 2-1.

**FIGURE 2-1: AS150 SERIES HUMIDIFIER COMPONENTS**



## Download Anden literature

Anden product manuals can be downloaded, printed, and ordered from our website: [www.anden.com](http://www.anden.com)

The *Vapor-logic Installation and Operation Manual* ships with AS150 series humidifiers. It is a comprehensive manual. Refer to it for information about the keypad/display and Web interface, and for troubleshooting information.

Note: See detailed installation on Page 10 and principle of operation on Page 23.

# Product overview

## SUPPLY WATER

There are benefits and trade-offs to consider when the application allows a choice between hard and softened water:

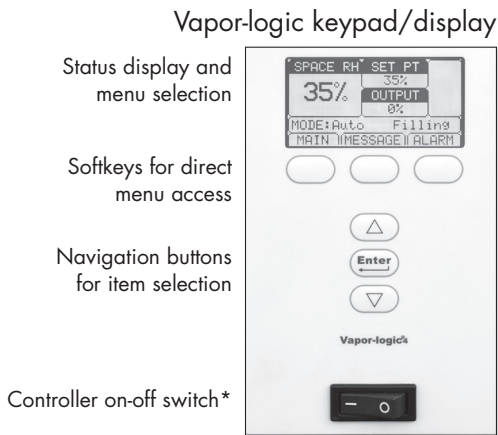
**Hard water:** The benefit of hard water is less frequent draining and filling than with softened water, which results in better energy and water efficiency and more consistent steam output. However, cylinder replacement could be more frequent with hard water, because hard water scale coats the electrodes. The harder the water, the more frequent the need for a new cylinder.

**Softened water** may be used in the AS150 series electrode humidifier. However, softened water ions stay in solution to much higher concentrations than hard water ions. The result can be more frequent draining and filling, which results in less energy and water efficiency, and less consistent steam output. While softened water can reduce scale build-up in the cylinder, it can also shorten cylinder electrode life.

## CONTROLLER

The Model AS150 series humidifier Vapor-logic® controller features menus for all humidifier functions, with a Web interface for access to all functions via Ethernet.

**FIGURE 3-1: AS150 SERIES HUMIDIFIER CONTROL PANEL**



\* On-off switch for control board — not a safety shut-off to humidifier power wiring.

**Table 3-1:**

### Supply water guidelines for AS150 series electrode humidifiers

<b>Supply water conductivity</b>	125* to 1250 $\mu\text{S}/\text{cm}$ (roughly comparable to water hardness of 10 to 36 grains per gallon).
<b>Chlorides</b>	Not limited
<b>pH</b>	6.5 to 8.5
<b>Silica</b>	< 15 ppm

**Dem mineralized, deionized, and reverse-osmosis** water cannot be used.

Supply water outside of these guidelines may void your Anden warranty. Please contact your Anden Representative or Anden Technical Support if you need advice.

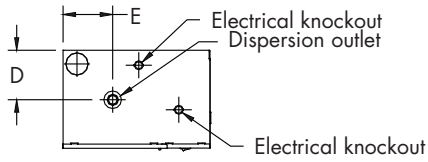
If conductivity meter uses EC units, it may be necessary to multiply readings by 1000 to convert from EC to  $\mu\text{S}/\text{cm}$ .

\* For optimal low conductivity operation enable the Mini Drain feature in your Vapor-logic controller: Main > Setup > Anden management > Mini Drain > Enable.

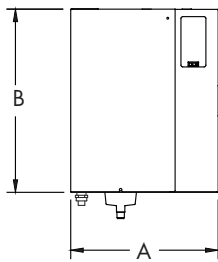
# Dimensional drawings, capacities, line currents, and fusing

**FIGURE 4-1: AS150 SERIES HUMIDIFIER DIMENSIONAL DRAWINGS**

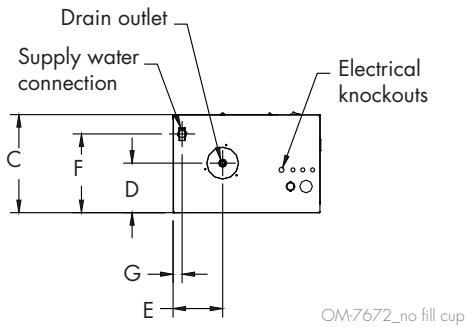
Top



Front



Bottom



OM-7672\_no fill cup

Notes:

- \* Fill cup extension is required for the following:
  - When developed length of steam tubing is more than 20' (6 m) and duct static pressure exceeds 2" wc (498 Pa)
- Labeled dimensions: inches (millimeters).
- See mounting dimensions in Figure 8-1.

**Table 4-1:**  
Line currents and recommended fusing for Anden AS150 Series humidifiers

Model	Nominal steam capacity		kW	Phase	Volts	Maximum line current (amps)	Recommended fusing (amps)
	lbs/hr	kg/h					
AS150-V2 (208)	50	22	16.5	3	208	55	70
AS150 (240)					240	48	60
AS150-V4 (480)					480	24	35

## Dimensions and weights

**Table 5-1:**  
AS150 Series humidifier dimensions by model number

<b>Dimension</b>	<b>Description</b>	<b>inches</b>	<b>mm</b>
A	Cabinet width	17.7	450
B	Cabinet height	24.1	612
C	Cabinet depth	11.8	300
D	Cabinet back edge to steam/drain outlet centers	6.0	152
E	Cabinet left edge to steam/drain outlet centers	6.0	152
F	Cabinet back edge to supply water connection center	9.2	235
G	Cabinet left edge to supply water connection center	1.0	25

**Table 5-2:**  
AS150 Series humidifier weights

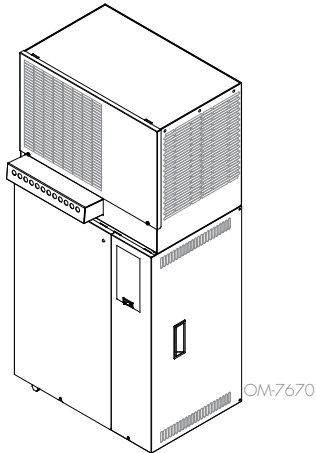
	<b>lbs</b>	<b>kg</b>
Shipping weight	86	39
Maximum operating weight	79	36

## Dispersion options

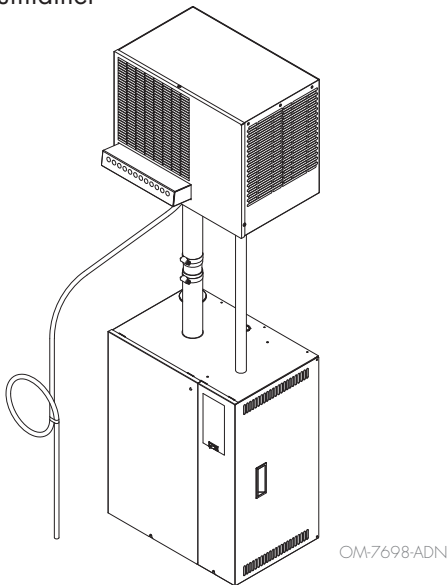
Open space dispersion options in Figure 6-1 are available.

**FIGURE 6-1: AS150 SERIES STEAM BLOWERS**

Mounted on top of humidifier



Mounted up to 10' (3 m) away from humidifier



Notes:

- Anden AS150 series require condensate drain.
- Anden steam blowers shipped with fuses to be installed in connected AS150 series humidifiers. North America only

## Selecting a location

### HUMIDIFIER

When selecting a location for the humidifier, consider the following:

- **Elevation of the installed steam blower unit**

The required installation location for the steam blower is at an elevation higher than the humidifier.

Before installing a dispersion assembly or interconnecting piping, review all pitch requirements in the "Dispersion" section of this manual.

- Temperature and relative humidity (RH):

Install humidifier only in locations that meet the following temperature and RH requirements:

- Maximum ambient temperature: 104 °F (40 °C)
- Minimum ambient temperature: 41 °F (5 °C)
- Maximum ambient humidity: 80% RH (non-condensing)

- Required clearances (see Figure 7-1)

- Electrical connections

Electrical power supply connections are at the lower or upper right rear corner of the unit.

- Supply water and drain piping connections

Water supply piping and drain connections are at the bottom of the cabinet. See "Piping" on Page 11.

- Exterior wall insulation

Install the humidifier on an exterior wall only if the wall is properly insulated.

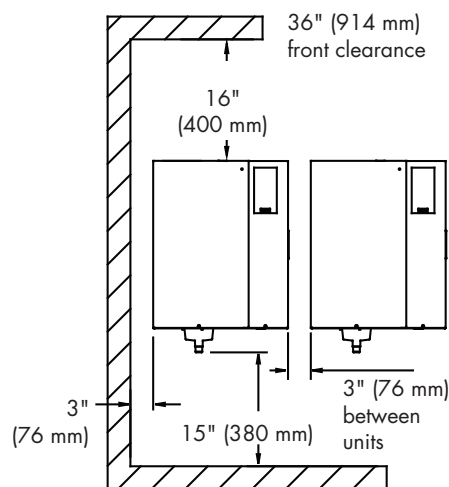
### DISPERSION CONTROL DEVICES

See page 17 for recommended installation locations for the blower.

### Staging multiple humidifiers

Up to four AS150 series humidifiers can be staged to operate in sequence. In a sequenced application, one control input signal is divided into user-selectable control input signals for the connected humidifiers. See the *Vapor-logic Installation and Operation Manual* for instructions on staging multiple humidifiers.

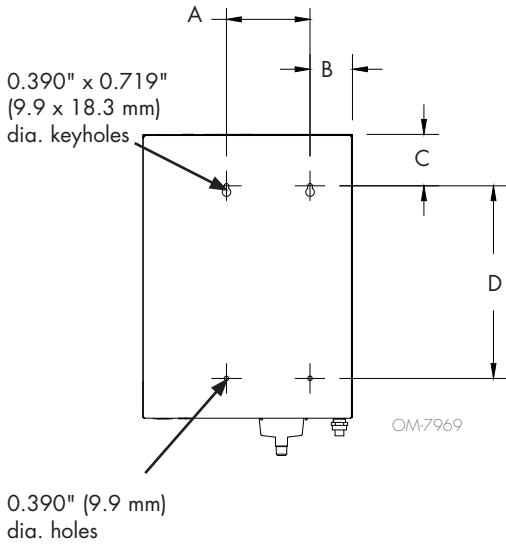
**FIGURE 7-1: AS150 SERIES HUMIDIFIER RECOMMENDED MINIMUM CLEARANCES**



OM-7664\_Anden

# Mounting

**FIGURE 8-1: AS150 SERIES HUMIDIFIER MOUNTING KEYHOLE LOCATIONS**



**Table 8-1:**  
AS150 Series humidifier mounting keyhole dimensions

Dimension		
	inches	mm
A	7.1	180
B	3.6	92
C	4.4	112
D	16.3	414

## Mounting

Unpack the humidifier from the shipping carton, and remove the cabinet doors and steam cylinder (see removing steam cylinder instructions below).

Note: When first unpacking the humidifier, cut and remove the shipping strap that goes around the cylinder and through the cylinder guides. This strap does not need to be replaced.

### REMOVING STEAM CYLINDER

If sent to this page from the “Maintenance” section, and the humidifier has been operating, make sure the cylinder is empty and cooled before removing it. See the shutdown and cool-down procedures on Page 27.

1. Carefully pull the electrode plugs straight up off the cylinder to ensure no damage to the plug boot occurs.
2. Disconnect the high water sensor wire.
3. Place hands palms-down below cylinder on both sides of drain outlet.
4. Press up against bottom of cylinder with backs of hands while pressing down against cabinet floor with fingers.
5. Raise cylinder until drain outlet clears drain valve body and the side tabs on the cylinder have cleared the cylinder guides. Remove cylinder from cabinet.

### WALL MOUNTING HUMIDIFIER

Mount the humidifier level and plumb using the lag bolts provided. Follow the instructions below for mounting on a wood stud wall.

1. Mount spanner boards on wall, spanning at least two studs. Position one board at top of cabinet (for the lag bolts), and other board at bottom of cabinet.
2. Pre-drill pilot holes in spanner boards, and secure humidifier to spanner boards with lag bolts.

Note: Use the appropriate mounting methods and mounting hardware for other wall types.

### WARNING

#### Mounting hazard

Mount humidifier per the instructions in this manual and to a structurally stable surface. Improper mounting of the humidifier can cause it to fall or tip, resulting in severe personal injury or death.

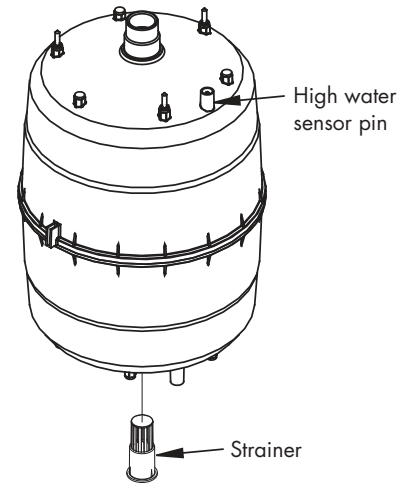
# Steam cylinder

**INSTALLING STEAM CYLINDER**

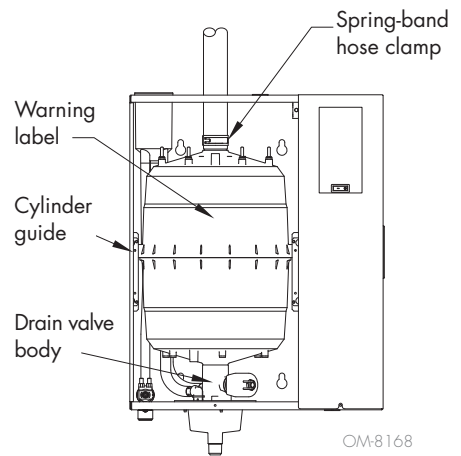
1. Make sure strainer is pressed into steam cylinder drain outlet and strainer flange is flush with bottom of cylinder outlet. See Figure 10-1.
2. Use water to lubricate drain outlet on bottom of cylinder and O-ring in drain valve body. See Figure 10-1.
3. Slide steam hose that connects to cylinder and steam blower up until it is engaged on steam inlet of steam blower and tight against bottom of steam blower.
4. Slide steam outlet of new cylinder all the way up into open end of steam hose from Step 3.
5. With Warning label on cylinder facing you, lower cylinder drain outlet into drain valve body, and rotate cylinder so side tabs line up with cylinder guides inside cabinet. Push down on cylinder until drain outlet is fully seated in drain valve body.
6. Slide steam hose down so it is fully engaged on cylinder steam outlet. Re-install hose clamp(s).
7. Connect high water sensor (yellow) wire to single pin surrounded by plastic shoulder on cylinder.
8. **Connect electrode wires to pins on top of cylinder. Make sure all plugs fit snugly and are fully engaged on pins.**

**Important:** Three phase cylinders have color-coded dots on the cylinder and color bands on the electrode plugs. When connecting the plugs, match the band colors on the plugs with the dot colors on the cylinder. Refer to the wiring diagram shipped with the humidifier if necessary.

**FIGURE 10-1: STEAM CYLINDER INSTALLATION**



OM-7632



OM-8168

**CAUTION**

If cylinder plugs become loose, damage to the humidifier may occur. Obtain replacement plugs from Anden. See "Replacement parts" on Page 34 for part numbers.

## Piping: Supply water and drain

### SUPPLY WATER PIPING

Use only copper for supply water piping; do not use rubber or plastic. The standard supply water connection before the fill valve is a 1/4" FIP.

In cases where water hammer may be a possibility, consider installing a shock arrestor. Water pressure must be 25 to 80 psi (175 to 550 kPa).

### DRAIN PIPING

Drain piping must be code-approved, 3/4" (DN 20) ID material rated for 212 °F (100 °C) minimum.

The drain cup has an integral grounding plate and requires a field-installed 1" (25 mm) air gap to a drain funnel to prevent conduction of electricity in the drain line.

The AS150 Series humidifier features user-selectable drain water tempering. When drain water tempering is selected, the humidifier tempers drain water before it enters the drain. Drain water tempering keeps water entering the drain line less than 140 °F (60 °C). Manually energizing the drain valve when the supply water is shut off can allow 212 °F (100 °C) water to enter the drain line.

Observe the following precautions when selecting and installing drain piping to ensure personal safety and material integrity:

- When using copper or other metallic drain piping, ground the drain piping to the earth ground lug in the AS150 Series humidifier.
- Chlorinated polyvinyl chloride (CPVC) piping is a non-metallic alternative for drain piping. It is rated up to 212 °F (100 °C) for intermittent-use, low-pressure applications.

The connection size for the steam cylinder drain is 1" (DN25) hose. Do not reduce this connection size. If drainage by gravity is not possible, use a reservoir pump rated for 212 °F (100 °C) water.

The open drain must be at least 12" (300 mm) below the bottom of the AS150 series humidifier, to help prevent steam condensation on the humidifier. Use the 12" (300 mm) drain hose provided and position above field-installed open drain. Alternately, route drain line away from beneath humidifier to open drain. See Figure 11-1.

### AUTOMATIC DRAIN WATER TEMPERING

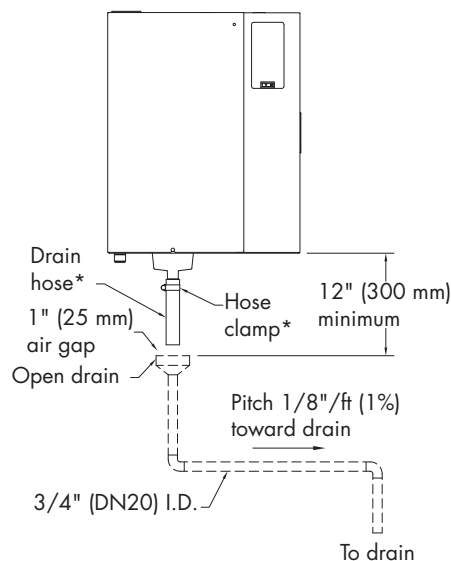
AS150 Series humidifiers are shipped with drain water tempering set to ON.

**Important:** Thoroughly flush supply water piping to remove pipe residue and stagnant water before connecting piping to humidifier. Pipe residue and stagnant water in water supply piping can cause foaming, preventing humidifier from reaching required steam capacity.

**⚠ WARNING**

**Hot drain pipes**  
Drain piping surface may be hot. Touching or contact with hot pipe may cause severe personal injury.

**FIGURE 11-1: DRAIN PIPING DETAIL**



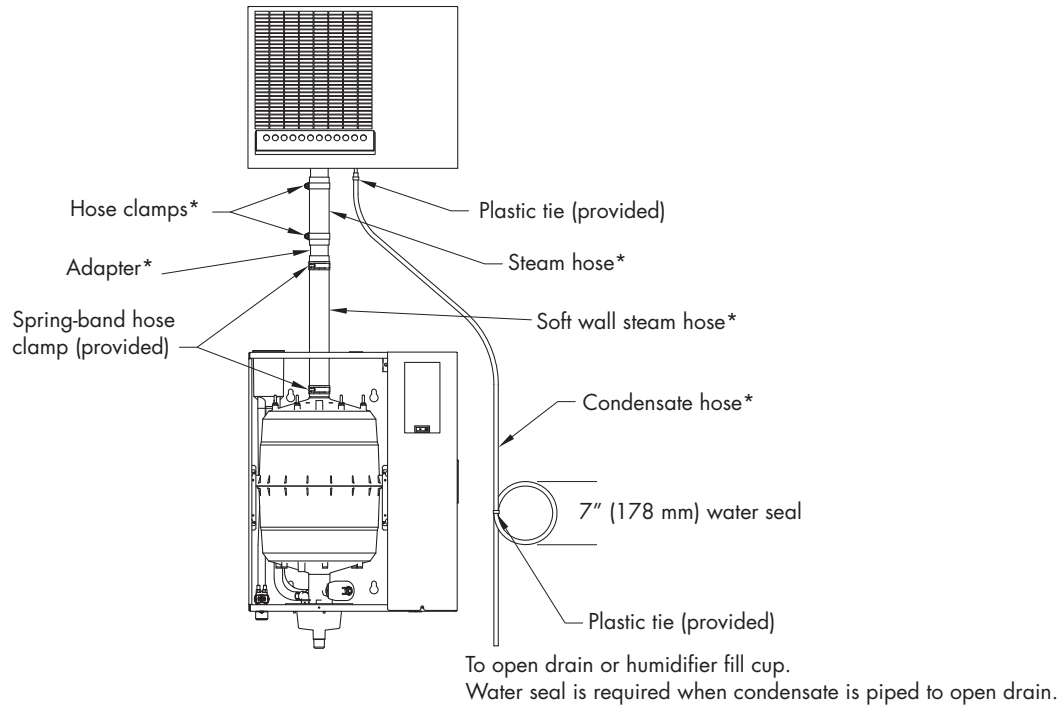
- \* Ships with humidifier
- Dashed lines indicate provided by installer
- The open drain must be at least 12" (300 mm) below the bottom of the humidifier, to help prevent steam condensation on the humidifier.

OM7691

- \* Ships with humidifier
- Dashed lines indicate provided by installer
- The open drain must be at least 12" (300 mm) below the bottom of the AS150 series humidifier, to help prevent steam condensation on the humidifier.
- Offset the open drain beyond edge of unit when installed in still air environment.

# Piping: Steam blowers

**FIGURE 12-1: PIPING FROM AS150 SERIES HUMIDIFIER TO REMOTE STEAM BLOWER**



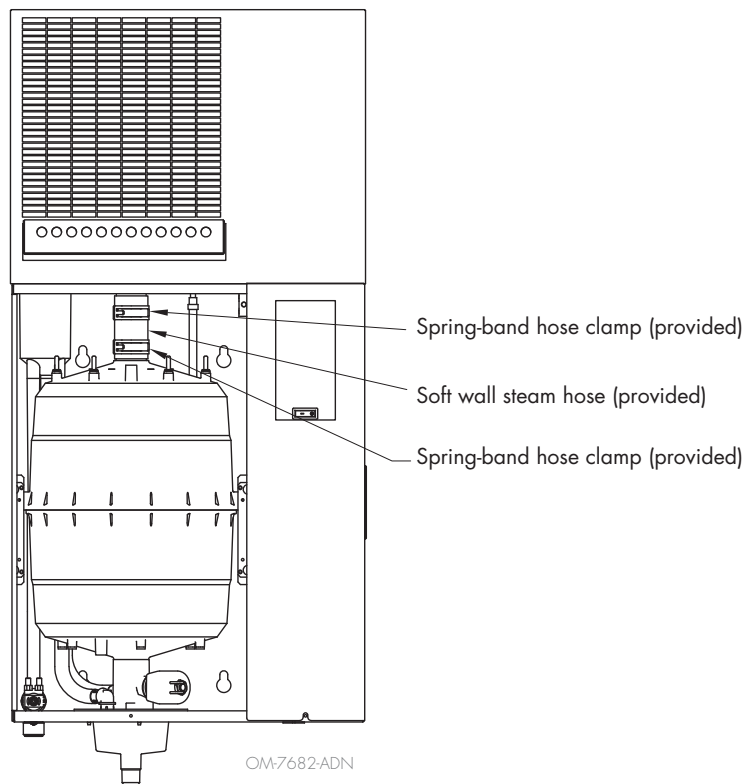
Notes:

- \* Provided in optional kit part #5940.
- Maximum recommended distance between humidifier and steam blower is 10' (3 m).

OM-7681-ADN

# Piping: AS150 series steam blowers

**FIGURE 13-1: PIPING FROM AS150 SERIES HUMIDIFIER TO TOP-MOUNTED STEAM BLOWER**



Notes:

- Maximum recommended distance between humidifier and steam blower is 10' (3 m).

# Humidifier wiring

All wiring must be code approved and in accordance with the unit wiring diagram. Power supply wiring must be rated for 105 °C. See Figure 14-1 for the humidifier wiring diagram locations.

When selecting a location for installing the humidifier:

- Avoid areas close to sources of electromagnetic emissions such as power distribution transformers.
- Do not loop power wiring.
- Do not use aluminum wire.

### CONDUIT KNOCKOUTS

Conduit and control wiring knockouts are provided on the AS150 Series humidifier cabinet. See Figure 4-1.

### CONTROL COMPONENT PLACEMENT

Follow the guidelines on Page 16 for placing humidistats and transmitters.

## **⚠ WARNING**

### Electric shock hazard

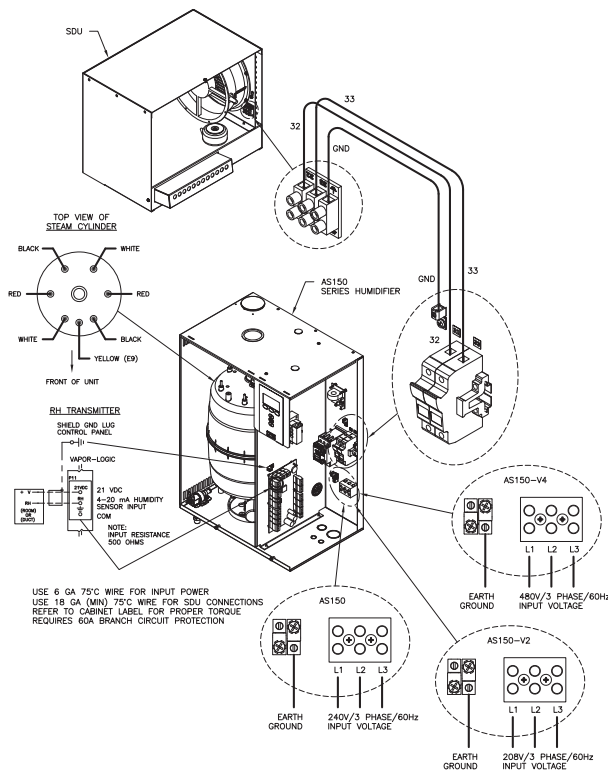
Only qualified electrical personnel should perform field wiring installation procedures. Improper wiring or contact with energized circuits may cause property damage, severe personal injury, or death as a result of electric shock and/or fire.

## CAUTION

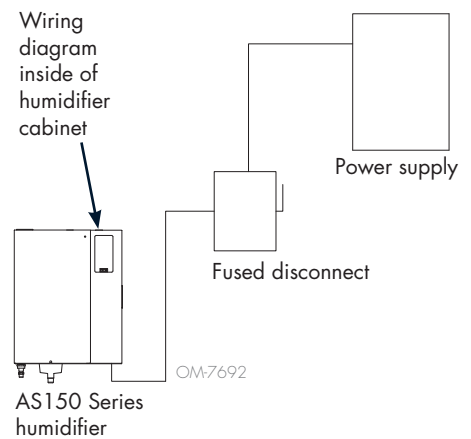
### Adding conduit connections not recommended

Adding alternate conduit connections is not recommended. If you must make additional holes in the humidifier cabinet, protect all internal components from debris, and vacuum out the cabinet when finished. Failure to follow these precautions can damage sensitive electronic components and void the Anden warranty.

**FIGURE 14-1: WIRING DIAGRAM**



**FIGURE 14-1: FIELD WIRING REQUIREMENTS**



### Notes:

- Control wiring and power wiring must be run in dedicated or separate earthed metal conduit, cable trays, or trunking.
- Separate the line voltage wiring from low voltage control circuit wiring when routing electrical wiring inside the humidifier cabinet.
- Do not use chassis or safety grounds as current-carrying commons. Never use a safety ground as a conductor or neutral to return circuit current.
- For circuit protection requirements, see recommended fusing in Table 4-1.

# Humidifier wiring

## CONNECTION INSTRUCTIONS

Before connecting power, refer to the wiring diagram or the data plate on the outside of the cabinet for wire sizing amperage.

For control signal wiring from a humidistat, transmitter, or signal by others, see the wiring diagrams shipped inside the humidifier.

See “Step 1 – Field wiring” in the *Vapor-logic Installation and Operation Manual* for detailed instructions on the following:

- Control input wiring:  
See the “Control input” section.

## EARTH GROUNDING REQUIREMENTS

A code-approved safety earth grounding system is required. The ground connection must be made with solid metal-to-metal connections. Ground wire should be the same size as power wiring.

## UNITS WITH STEAM BLOWER

Steam blowers receive power for operation from the AS150 series humidifier. Install 2 fuses in the humidifier electrical cabinet to provide power to the steam blower. Fuses are shipped with the steam blower. Replacements available from Anden.

## WARNING

### Excessive moisture hazard

Anden strongly recommends installing a duct airflow proving switch and a duct high limit humidistat. These devices prevent a humidifier from making steam when there is low airflow in the duct or when the RH level in the duct is too high. Failure to install these devices can result in excessive moisture in the duct, which can cause bacteria and mold growth or dripping through the duct.

### Proper wiring prevents electrical noise.

Electrical noise can produce undesirable effects on electronic control circuits, which affects controllability. Electrical noise is generated by electrical equipment, such as: inductive loads, electric motors, solenoid coils, welding machinery, or fluorescent light circuits. The electrical noise or interference generated from these sources (and the effect on controllers) is difficult to define, but the most common symptoms are erratic control or intermittent operational problems.

### Important:

- Connect the drain wire to the shield/screen ground terminal with wire less than 2" (50 mm) in length.
- Do not ground shield at the device end.

# Sensor placement

## HUMIDISTAT AND SENSOR LOCATIONS ARE CRITICAL

Humidistat and sensor location have a significant impact on humidifier performance. In most cases, do not interchange duct and room humidity devices. Room humidity devices are calibrated with zero or little airflow; whereas duct humidity devices require air passing across them.

Recommended sensor locations (see Figure 16):

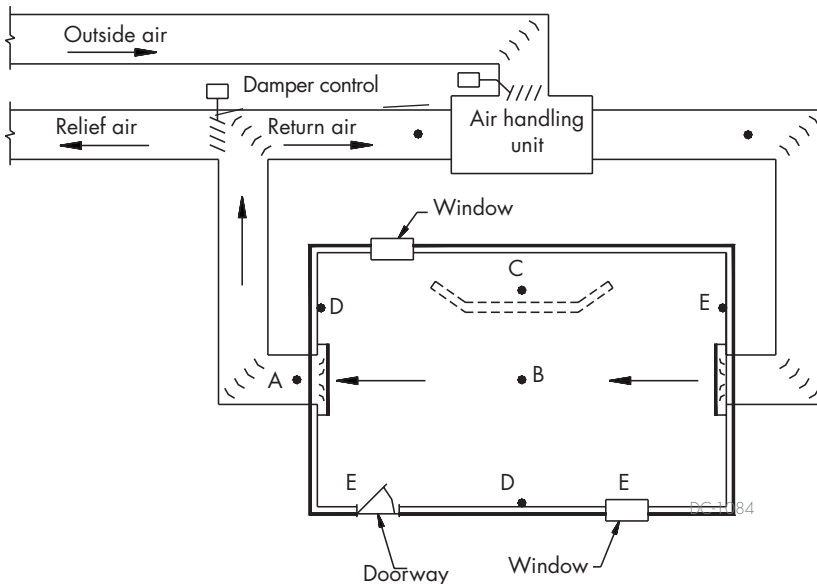
- A Ideal. Ensures the best uniform mix of dry and moist air with stable temperature control if HVAC is running constantly.
- B Ideal. Mounted centrally above the canopy in an area shielded from water, light and heat sources
- C Acceptable (behind wall or partition) for sampling entire room if sensor is near an air exhaust return outlet. Typical placement for sampling a critical area.
- D Not acceptable. These locations may not represent actual overall conditions in the space.
- E Not acceptable. Do not place sensors near windows, door passageways, or areas of stagnant airflow.

## Other factors affecting humidity control

Humidity control involves more than the controller's ability to control the system. Other factors that play an important role in overall system control are:

- Size of humidification system relative to load
- Overall system dynamics associated with moisture migration time lags
- Accuracy of humidistats and humidity transmitters and their location
- Dry bulb temperature accuracy in space or duct
- Velocities and airflow patterns in ducts and space environments
- Electrical noise or interference

**FIGURE 16-1: RECOMMENDED SENSOR LOCATION**



## Dispersion: Selecting the steam blower location

Anden humidifiers operate with several types of dispersion assemblies for open spaces and for air handling units.

The steam blower should be positioned so steam outlet is not directed onto the plant canopy.

- In general, the steam blower is best placed where the air can absorb the moisture being added without causing condensation at or after the unit.
- Place the steam blower such that absorption will occur prior to interacting with any surface, the crop canopy, lighting and fire detection or smoke detection device.
- When draining dispersion condensate to an open drain, provide a 1" (25 mm) air gap between the condensate drain piping and the drain. Locate the gap only in spaces with adequate temperature and air movement to absorb flash steam; otherwise, condensation may form on nearby surfaces.

### CONDENSATE RETURN GUIDELINES

To prevent overfilling the steam cylinder, follow the condensate guidelines when condensate should be wasted to the drain:

- More than 10' (3 m) of steam hose between humidifier and dispersion

### WARNING

#### Hot surface and steam hazard

Dispersion assembly and steam hose or tubing can contain steam, and surfaces can be hot. Discharged steam is not visible. Contact with hot surfaces or air into which steam has been discharged can cause severe personal injury.

# Dispersion: Steam blowers

Fuses provided with the steam blowers must first be installed in the Anden AS150 series steam humidifier.

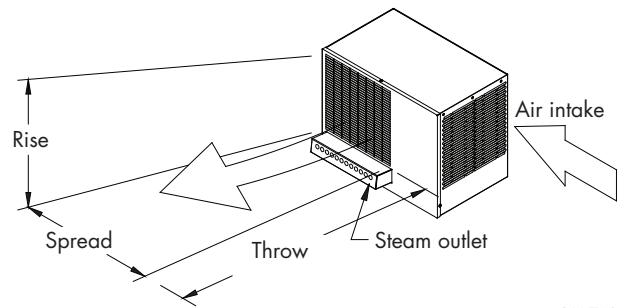
On a call for humidity, the controller closes the contactors to energize the humidifier electrodes and the steam blower. When the call for humidity is satisfied, the controller opens the humidifier contactor, which stops the steam blower.

As steam is discharged from the steam blower, it quickly cools and turns to a visible fog that is lighter than air. As this fog is carried away from the AS150 steam blower by the airstream, it tends to rise toward the ceiling. If the fog contacts solid surfaces (columns, beams, ceiling, pipes, etc.) before it disappears, it can condense and drip. The greater the space relative humidity, the further the fog will rise, spread, and throw.

Table 18-1 lists the maximum rise, spread, and throw non-wetting distances for steam blower. Surfaces cooler than ambient temperature, or objects located within this minimum dimension, can cause condensation and dripping. To avoid steam impingement on surrounding areas, observe the minimum non-wetting distances in the table.

Steam blowers are field wired to the humidifier blower terminals. A wiring diagram is included with the steam blower.

**STEAM BLOWER RISE, SPREAD, AND THROW**



OM-7686

**Table 18-1:**  
Anden AS150 series humidifier and steam blower minimum non-wetting distances

Nominal steam capacity		30% RH @ 70 °F (21 °C)						40% RH @ 70 °F (21 °C)						50% RH @ 70 °F (21 °C)						60% RH @ 70 °F (21 °C)					
		Rise		Spread		Throw		Rise		Spread		Throw		Rise		Spread		Throw		Rise		Spread		Throw	
lbs/hr	kg/h	ft	m	ft	m	ft	m	ft	m	ft	m	ft	m	ft	m	ft	m	ft	m	ft	m	ft	m	ft	m
50	22	3.3	1.0	3.1	0.9	9.6	2.9	3.8	1.2	3.5	1.1	10.7	3.3	4.4	1.3	4.0	1.2	12.0	3.7	4.8	1.5	4.7	1.4	14.0	4.3

Rise: Minimum non-wetting height above the steam outlet of the steam blower

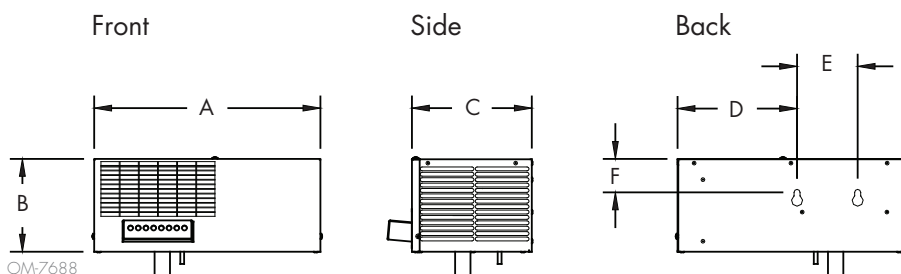
Spread: Minimum non-wetting width from the steam outlet of the steam blower

Throw: Minimum non-wetting horizontal distance from the steam outlet of the steam blower

NOTE: Rise, Spread, and Throw distances are determined using substantially still air. The addition of cross flow air source(s) to mix ambient air with saturated blower output can significantly reduce these distances.

# Dispersion: Steam blowers

**FIGURE 19-1: AS150 SERIES STEAM BLOWER DIMENSIONS**



The steam blower can be mounted on top of a humidifier cabinet, or wall-mounted remotely from the humidifier. See Figure 19-1.

Note: Steam blower installation must comply with governing codes.

**Table 19-1:  
AS150 steam blower dimensions**

Dimension	inches	mm
A	17.9	455
B	13.8	350
C	11.0	279
D	3.6	91
E	7.1	180
F	4.2	107

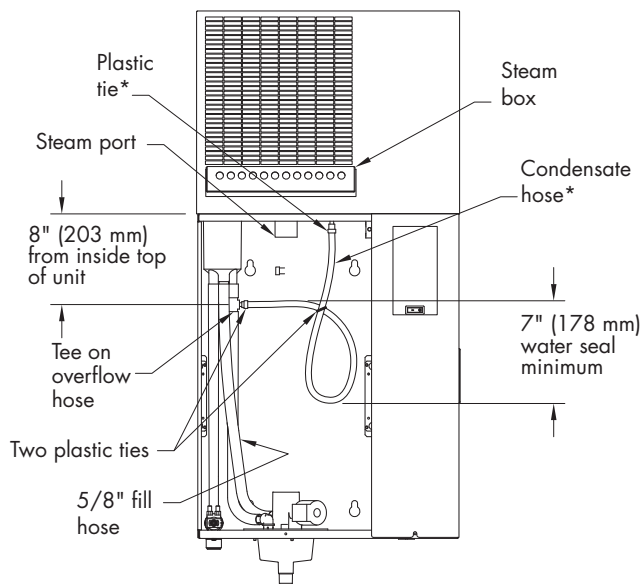
**Table 19-2:  
Steam blower specifications**

Maximum capacity		Operating weight		Volume airflow		Current draw at 115V (50/60 Hz)	Input power	Noise
lbs/hr	kg/h	lbs	kg	cfm	m <sup>3</sup> /min			
50	22.7	24.0	10.9	665	18.8	0.23 A	23 W	53 dBA

Notes:

- Steam blowers ships with all AS150 series humidifiers.
- Noise measurements taken 6.5' (2 m) in front of steam blower cabinet.

**FIGURE 19-2: CONDENSATE TEE KIT FOR TOP-MOUNTED AS150 SERIES STEAM BLOWER**



\* Supplied with condensate tee kit

For remote-mounting the steam blower, see Page 21.

OM-7697

# Dispersion: Steam blowers

## **MOUNTING STEAM BLOWER ON TOP OF HUMIDIFIER**

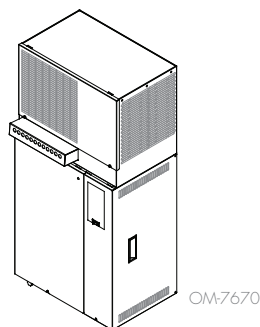
The condensate tee kit shipped with the steam blower returns condensate from a top-mounted steam blower to the humidifier's cylinder fill hose. See Figure 19-1. Install the kit as follows:

1. If humidifier is not already mounted to wall, see "Wall mounting humidifier" on Page 9.
2. Remove steam cylinder (see "Removing steam cylinder" on Page 9).
3. Assemble condensate hose from kit to condensate outlet at base of steam box and install both plastic ties (included) on hose to ensure secure connection to steam box condensate outlet.
4. Assemble hose cuff and clamp to steam port on steam box.
5. Remove middle-rear knockout on top of humidifier cabinet, and mount steam blower to wall as noted on Page 21.
6. Feed condensate hose into humidifier cabinet through knockout hole created in Step 5, place AS150 series humidifier below steam blower on wall, and secure humidifier to wall.
7. Push small burr of tee into loose end of condensate hose that was fed into cabinet in Step 6.
8. Cut the 5/8" overflow hose that connects the off-center port on fill cup to overflow connection on floor of humidifier cabinet at 8" below the inside top of the unit. Avoid kinks by leaving slack in overflow hose for cylinder installation.
9. Create a water seal loop with the condensate hose and install tee in 5/8" overflow hose that was cut in Step 8.
10. Install steam cylinder (see Page 10).

**FIGURE 20-1: TOP- AND REMOTE-MOUNTED STEAM BLOWER**

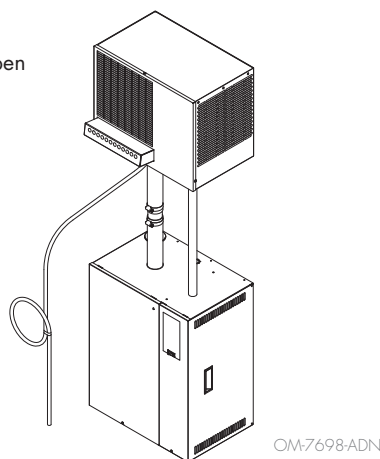
Mounted on top of humidifier

Condensate returned to overflow to drain cup hose



Mounted remotely from humidifier

Condensate returned to open drain



## Dispersion: Steam blowers

### REMOTE MOUNTING STEAM BLOWER

The steam blower is constructed with a pitch toward the drain; however, it must be installed level and plumb for proper drainage. See the Warning.

#### WARNING

##### Standing water in steam blower

Make sure the steam blower is installed plumb. If it is not installed plumb, standing water can accumulate, which can:

- cause bacteria and mold growth, which can cause illness;
- affect steam blower performance;
- cause 212 °F (100 °C) water to discharge from the steam blower, which can cause severe personal injury.

Follow the instructions below for your wall type:

Mount the steam blower using the lag bolts provided. Follow the instructions below for mounting on a wood stud wall.

1. Mount spanner board on wall, spanning at least two studs, at top of steam blower cabinet (for the lag bolts).
2. Pre-drill pilot holes in spanner board, and secure steam blower to spanner board with lag bolts.

Note: Use the appropriate mounting methods and mounting hardware for other wall types.

See Table 18-1 to determine clearance requirements for your application.

Make sure walls, ceilings, and other obstructions are not within the non-wetting dimension, or condensation and dripping could occur (read Page 18).

Provide at least 3" (76 mm) of clearance on each side of the steam blower for air intake.

### INSTALLING BASE PLATE

The steam blower has a base plate for remote-mounted steam blower applications. The base plate isolates the hot steam box from contact. After the electrical connections are made, assemble the base plate onto the bottom of the steam blower with the screws provided.

# Dispersion: Steam blowers

**WIRING STEAM BLOWERS**

Make the following wiring connections between the humidifier and the steam blower, and tighten all terminals securely:

- Fuses provided.
- Connect steam blower fan wires to humidifier terminals 32, 33, and GRD.
- Refer to the external connections diagram shipped with the steam blower.

**PIPING CONDENSATE TO DRAIN**

The steam blower condensate hose must be routed as shown in Figure 22-2. The water seal is required to ensure condensate drainage from the steam blower and to keep steam from blowing out of the condensate hose.

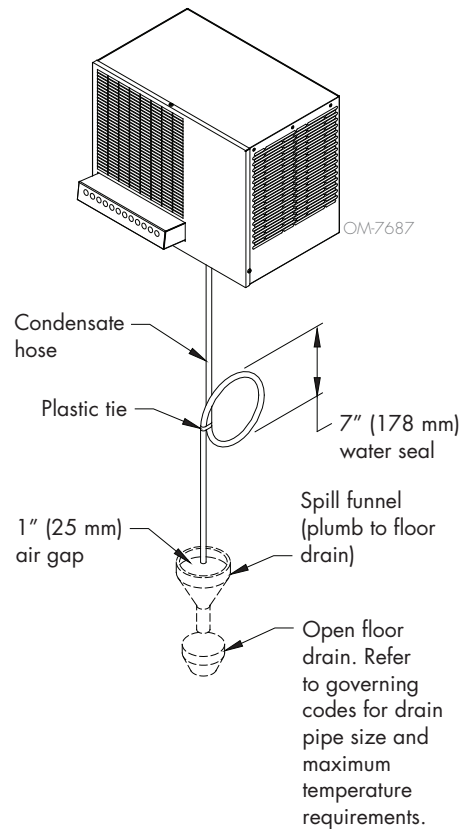
After the water seal, run the condensate hose to an open drain. Cut the hose at a 45 degree angle on the end above the drain to permit a direct stream of water into the drain while maintaining an air gap.

The condensate hose must be installed and sized according to governing codes.

**ADDITIONAL INSTRUCTIONS**

See instructions for piping from AS150 Series humidifier to the steam blower on pages 12 and 13.

**FIGURE 22-1: PIPING CONDENSATE TO DRAIN**



Note:  
Shown with condensate to open drain.

## Principle of operation

### 1. CONTROLLER RECEIVES A CALL FOR HUMIDITY

When the RH level in the humidified space drops below set point, the humidifier controller receives a call for humidity and calculates a corresponding electrical current. The controller closes the contactor, which energizes the electrodes. If there is not enough water in the steam cylinder, the fill valve opens and water enters the steam cylinder.

### 2. ENERGIZED ELECTRODES BOIL WATER INTO STEAM

When the water level in the steam cylinder rises to touch the electrodes, electrical current flows through the water between the electrodes. Electrical resistance in the water causes the water to heat up and boil into steam. The steam flows through the steam outlet and through steam hose or tubing to the AS150 steam blower, where it is discharged into the airstream.

### 3. ELECTRICAL CURRENT INCREASES TO MEET DEMAND

As the amount of water covering the electrodes increases, current flow increases. The fill valve remains open until the amperage increases to 10 percent above the current corresponding to the demand signal. Then the fill valve closes, and the water boils into steam.

### 4. WATER CONTINUES TO BOIL INTO STEAM

As the water boils into steam, the amount of water covering the electrodes decreases, and current flow decreases. When current flow decreases to 10 percent below the current corresponding to the demand signal, the fill valve opens to increase the water level in the steam cylinder, which increases current flow and steam production.

### 5. CONTROLLER INITIATES DRAIN/FILL CYCLES TO FLUSH CONDUCTIVE IONS

As steam production continues, the concentration of conductive ions in the water increases, eventually leading to increased electrical current through the water. An algorithm monitors water conductivity and auto tunes drain and fill cycles to keep electrical current within demand parameters. This optimizes humidifier performance based on water conditions and steam production.

The humidifier has user-selectable drain water tempering. When drain water tempering is selected, drain water is automatically cooled before entering the drain.

## WATER CONDUCTIVITY

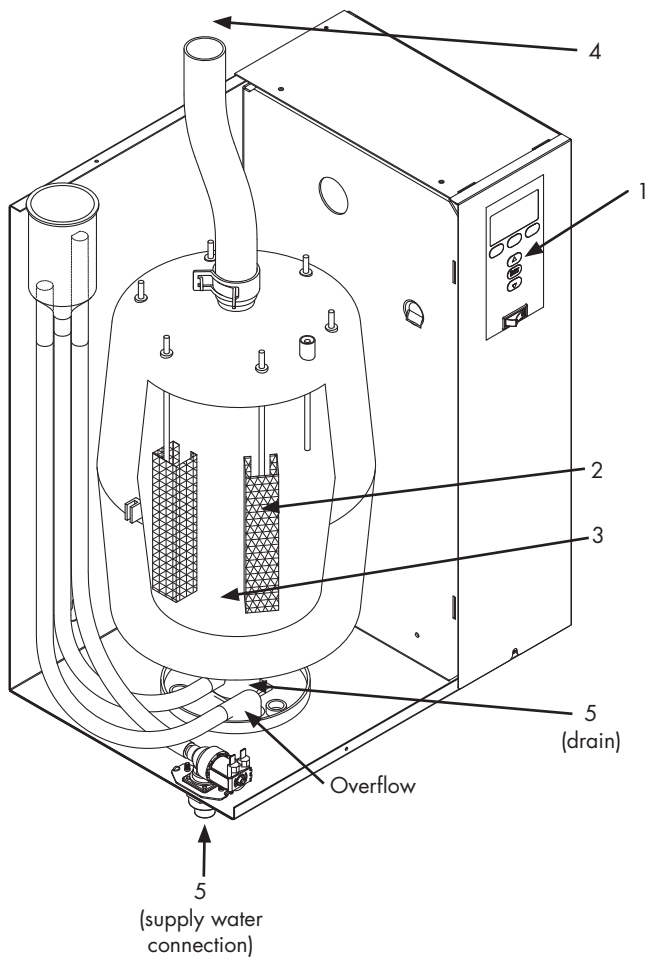
In electrode humidifiers, steam output is directly related to the resistance of the water in the steam cylinder and, therefore, the conductivity of the water between the electrodes. Higher water levels cover more electrode surface and result in more steam; lower water levels cover less electrode surface and result in less steam. Since water conductivity and water level both correlate to steam output, Anden's algorithm monitors conductivity and manages drain and fill cycles to optimize humidifier performance and provide proper steam output.

## DRAIN AND FILL CYCLES

As the water in the cylinder boils into steam, the concentration of conductive ions increases until it reaches a threshold that triggers a drain and fill cycle. This rids the cylinder of highly conductive water and replaces it with less conductive fill water. The more conductive the fill water and the higher the demand, the more quickly the threshold is reached, and the more frequently the cylinder automatically drains and fills to stay within the parameters for proper steam output.

# Principle of operation

**FIGURE 24-1: ANDEN AS150 SERIES HUMIDIFIER PRINCIPLE OF OPERATION**



OM-7661-ADN

## SAFETY FUNCTIONS

The Anden AS150 Series humidifier is protected against running dry — current does not flow if the electrodes in the steam cylinder are not submerged in water.

If the current rating exceeds 120% of nominal current, the drain valve opens automatically. As the water level drops, the current rating drops back to the nominal value.

If the current rating exceeds 120% of the nominal current after several drainage operations, the humidifier shuts down automatically.

## Start-up checklist

Your humidification system may not have all of the options listed below. If an item does not apply to your system, skip to the next item.

- Verify that humidifier, controls, piping, electrical connections, steam supply, and dispersion units(s) are installed according to installation instructions in this manual and:
  - Ladder style wiring diagram and external connections wiring diagram (inside humidifier cabinet)
  - Governing codes
  - Vapor-logic Installation and Operation Manual
    - Installation section
    - Pre-installation checklist
- Verify that field wiring is done per instructions in this manual and per unit wiring diagram.
- Confirm that proper grounding and an approved earth ground are provided.
- Confirm that instructions in the Electric shock hazard warning have been followed.
- Confirm that water fill line was thoroughly flushed before it was connected to the humidifier.
- Verify that humidifier is mounted level and securely supported before filling with water. See operating weights in Table 5-1.
- Make sure cylinder is fully seated into drain valve, and verify that all electrical connections are secure.
- Turn water supply on (do not use demineralized, deionized, or reverse-osmosis water) and confirm that drain valve is closed.
 

If the force of air exiting water supply lines blows fill cup cap off during first fill cycle, this is not a sign of defect or a cause for concern; simply replace fill cup cap after all air has exited water line.
- Verify that humidifier is level and plumb when filled with water.
- Turn power on and confirm that Model AS150 keypad/display illuminates.
- With sufficient water in steam cylinder, door safety interlock switch closed, and a call for humidity, verify that heat outputs are activated.
- If you experience difficulties, see “Troubleshooting” on Page 30.

### WARNING

#### Electric shock hazard

Contact with energized circuits can cause property damage, severe personal injury or death as a result of electrical shock or fire.

Make sure cabinet doors are installed before turning on electrical power.

For proper operation of safety interlock switch, install electrical-side door first, then install cylinder-side door.

# Anden AS150 series

## START-UP PROCEDURE

After the Anden AS150 series humidifier is installed and connected properly:

1. Perform all applicable “Start-up checklist” items on Page 25.
2. Read and follow the instructions in the “Operation” section of the *Vapor-logic Installation and Operation Manual*.
3. Note: During start-up, do not leave the humidifier unattended.
4. Monitor humidifier operation through multiple drain and fill cycles.
5. Perform the cleaning procedure as follows:
  - a. Operate humidifier long enough for steam to be produced.
  - b. Using the keypad/display:
    - At the Main menu, select Tank Status, and press Enter.
    - Select Mode, and press Enter.
    - Select Drain, and press Enter.
    - Let steam cylinder drain for 5 to 10 minutes until empty.
  - c. Restart the humidifier, and repeat Steps a and b.

## CAPACITY LIMITATION

The Anden AS150 series humidifier capacity can be limited to a user-specified maximum using the keypad/display or Web interface. From the Main menu, select **Tank Setup**, then select **Capacity Adjustment** for menu options.

## WARNING

### Electric shock hazard

Only qualified electrical personnel should perform start-up procedure.

Contact with energized circuits can cause property damage, severe personal injury or death as a result of electrical shock or fire.

Make sure cabinet doors are installed before turning on electrical power.

For proper operation of safety interlock switch, install electrical-side door first, then install cylinder-side door.

The *Vapor-logic Installation and Operation Manual* is a comprehensive operation manual. Refer to it for information regarding the following features:

- Keypad/display and Web interface setup and menu information
- Control input signals and functions
- Safety features
- Alarm screens and fault messages

This manual ships with the Anden AS150 series humidifiers and is available at our website: [www.anden.com](http://www.anden.com)

## Maintenance: Shutdown and cool-down procedures

### SCHEDULED MAINTENANCE

At 1000-hour intervals or when "Service interval reached" appears in the Messages Log, inspect the steam cylinder, fill and drain valves, steam hose, condensate piping, water supply piping, drain piping, drain, and all other parts for proper operation and cleaning requirements.

### STEAM CYLINDER SERVICE LIFE

Steam cylinder service life depends on operating hours and water hardness. If "Check cylinder" appears in the Messages Log during and shortly after start-up, the message can be cleared and will stop repeating after a few drain and fill cycles.

When "Check cylinder" appears in the Messages Log after extended operation, the humidifier will continue to run, but the cylinder must be replaced to ensure optimum output. Sure signs that a cylinder needs to be replaced are when it is approximately one-third full of minerals, or minerals have bridged between electrodes.

To replace the steam cylinder, first follow the cool-down procedure below.

### COOL-DOWN PROCEDURE

1. In Vapor-logic keypad/display Main menu, select Tank Status, and press Enter.
2. Select Mode, and press Enter.
3. Select Drain, and press Enter.
4. Let steam cylinder drain for 5 to 10 minutes (drain water is automatically tempered when drain water tempering is selected).
5. Close field-installed manual supply water shut-off valve, and allow cylinder to continue draining.

### WARNING

#### Shutdown procedure

To prevent severe personal injury or death from electrical shock, follow this shutdown procedure before performing service or maintenance procedures on this humidifier (after cylinder is drained and cooled):

1. Use Vapor-logic keypad/display to drain cylinder.
2. Use Vapor-logic controller keypad/display to change control mode to Standby.
3. Shut off all electrical power to humidifier using field-installed fused disconnect, and lock all power disconnect switches in OFF position.
4. Close field-installed manual water supply shut-off valve.

### WARNING

#### Hot water system

Cylinder and any undrained water may be hot. To avoid injury from hot water, follow the cool-down procedure before proceeding with maintenance.

## Maintenance: Replacing steam cylinder

1. When steam cylinder is completely empty, turn humidifier off. Place all power disconnects in OFF position, and lock in OFF position.
2. Remove cabinet doors, and make sure cylinder and humidifier components have cooled.
3. Carefully pull the electrode plugs straight up off the cylinder to ensure no damage to the plug boot occurs.
4. Inspect cylinder plugs. Obtain replacement plugs from Anden if deterioration, corrosion or loose fit occur.
5. Disconnect the high water sensor wire.
6. Remove both clamps on steam hose that connects to cylinder and steam blower.
7. Slide steam hose from Step 6 all the way up until it is tight against bottom of steam blower. Skip to Step 9.
8. Loosen steam hose clamp, and disconnect steam hose from cylinder.
9. Place hands palms-down below cylinder on both sides of drain outlet.
10. Press up against bottom of cylinder with backs of hands while pressing down against cabinet floor with fingers.
11. Raise cylinder until drain outlet clears drain valve body and the side tabs on the cylinder have cleared the cylinder guides. Remove cylinder from cabinet.
12. Vacuum scale and debris out of drain valve port.

Note: For more thorough cleaning, see drain valve maintenance instructions on Page 29.

13. Replace O-ring in drain valve body (new cylinder ships with new O-ring). Make sure O-ring is correctly placed.
14. Dampen O-ring seals **with water** before replacing cylinder. **Do not use lubricant or other substance.**
15. Install new steam cylinder. See "Installing steam cylinder" on Page 10.
16. Connect steam hose to cylinder, and re-install hose clamp.
17. Connect high water sensor (yellow) wire to single pin surrounded by plastic shoulder on cylinder.
18. **Connect electrode wires to pins on top of cylinder. Make sure all plugs fit snugly and are fully engaged on pins.**

**Important:** Three phase cylinders have color-coded dots on the cylinder and color bands on the electrode plugs. When connecting the plugs, match the band colors on the plugs with the dot colors on the cylinder. Refer to the wiring diagram shipped with the humidifier if necessary.

If returning humidifier to operation, see the start-up procedure on page 26.

**Note:**

Anden recommends keeping a spare steam cylinder in stock during the humidification season. See "Replacement parts" on Page 34.

**CAUTION**

If cylinder plugs become loose, damage to the humidifier may occur. Obtain replacement plugs from Anden. See "Replacement parts" on Page 34 for part numbers.

# Maintenance: Drain valve

## DRAIN VALVE

If either of the following issues occur after several months of runtime, follow the drain valve maintenance procedures below.

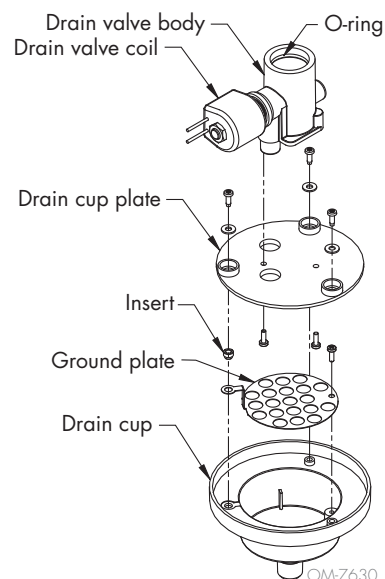
- Drain valve is closed, but draining and filling continue.
- End of cylinder life prompt appears prematurely.

## DRAIN VALVE BODY MAINTENANCE

1. When steam cylinder is empty, turn humidifier off. Place all power disconnects in OFF position, and lock in OFF position. See Figure 29-1.
2. Remove cabinet doors and steam cylinder (see Page 9).
3. Vacuum loose scale and debris out of the drain valve port.
4. Disconnect 2-pin Molex plug from 24 VAC drain valve coil.
5. Slide cap (A) off of drain valve coil (C).
6. Turn hex nut (B) counter-clockwise. Loctite on nut will cause drain valve coil assembly to turn out of drain valve body (G). Remove coil/actuator assembly from drain valve body. Make sure spring (E) and plunger (F) do not fall out of actuator (D).
7. Clean plunger (F), spring (E), actuator (D), and plastic drain valve body (G) with clean water.
8. Reassemble drain valve. When threading actuator (D) into drain valve body (G), make sure it is not cross threaded. Torque actuator into drain valve body to 18 in-lb (2.0 N·m).
9. Plug Molex plug into its mating wire harness plug, and slide cap (A) onto drain valve coil (C).
10. See "Start-up procedure" on Page 26 if returning humidifier to operation.

Note: If the procedure above did not resolve drain valve issues, perform the drain valve assembly maintenance procedure on Page 30.

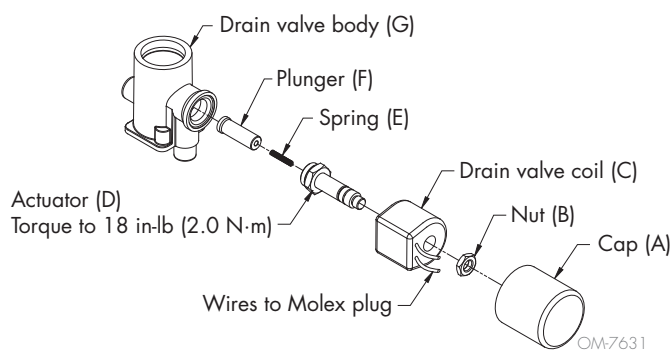
**FIGURE 29-1: DRAIN VALVE ASSEMBLY**



**Notes:**

- Pay close attention to all parts shown above. Verify that ground plate is in groove of drain cup, and insert is in place through ground plate loop.
- Failure to get ground plate and insert solidly connected to frame will compromise ground safety circuit.

**FIGURE 29-2: DRAIN VALVE BODY**



# Troubleshooting

## **DRAIN VALVE ASSEMBLY MAINTENANCE**

Perform the following procedure **only** if the procedure on Page 29 does not resolve drain valve issues. See Figure 29-2.

1. Perform Steps 1 through 4 on Page 29.
2. Remove the three screws and washers securing drain cup plate to drain cup.
3. Lift drain valve body/plate assembly off of drain cup.
4. Vacuum loose scale and debris out of drain cup.
5. Remove ground plate, and clean scale and debris from ground plate and outlet of drain valve body.
6. Reassemble drain valve assembly: Fit mounting screws with washers, insert them through drain cup plate, and tighten them into drain cup. See notes in Figure 29-2.
7. Clean end of hose, and reconnect it to drain valve body with hose clamp. Plug Molex plug into its mating wire harness plug.
8. See "Start-up procedure" on Page 26 if returning humidifier to operation.

## **TROUBLESHOOTING**

Follow the procedure below to resolve issues with AS150 series humidifiers:

1. Review possible causes and recommended actions in Table 31-1.
2. If Table 31-1 does not help you solve the issue, call Anden Technical Service (see inset at right) with the following information available:
  - Humidifier model number and serial number (see nameplate on side of the humidifier and steam blower)
  - Issue description  
Example: water leaking, low humidity, high humidity, etc.
  - When issue began  
Example: After maintenance, cylinder replacement, etc.
  - System changes  
Example: Pressure, new service, new controller, relocation, change in maintenance, etc.

## **Anden Technical Support**

Have the following information ready when calling Technical Support. See phone number inside front cover of this manual.

Humidifier model number
_____
Humidifier serial number
_____
When issue began
_____
_____
_____
Issue description
_____
_____
_____

# Troubleshooting

**Table 31-1:**  
Anden AS150 series humidifier troubleshooting guide

Problem	Possible cause	Action
Humidifier will not turn on	Field-wired terminal connections	Check L1, L2, L3, and Ground connections.
		Check wiring connections and settings on accessory items such as high limit switch and airflow proving switch.
	Internal connections	Follow the shutdown procedure on Page 27, then make sure electrode and high water probe connections on top of cylinder are securely connected.
		Make sure ribbon cable from membrane switch is securely plugged into control circuit board.
		Check that terminals from internal components are securely attached to proper tabs on circuit boards.
	No power to humidifier	Make sure one of the electrode wires extends through toroid ring on current sensing circuit board.
		Check main power supply and switch.
	Humidifier not turned on	Check for proper voltage across L1, L2, and L3 terminals.
Make sure front cover is attached to engage safety interlock switch. Press On-off button.		
No power to 24V control circuit	Make sure ribbon cable from membrane switch is securely plugged into control circuit board.	
	Check reset switch on transformer.	
	Check that the transformer line fuses (2) are in place and conductive.	
Water constantly runs down drain.	Malfunctioning drain valve.	Check valve function using Test Mode.
	Debris in drain valve preventing it from closing	Remove cylinder, and clean debris from drain valve.
	O-ring in drain valve not properly seated in groove	Remove cylinder, and reposition O-ring.
	Water flowing from fill cup overflow port	Check internal hoses, and remove kinks or blockage.
Water is leaking from humidifier.	Loose plumbing connections	Check supply water connection at fill valve inlet. Tighten as needed.
		Check internal hose clamp connections. Reposition clamps and tighten as needed.
		Check steam hose connection on top of cylinder. Tighten clamp as needed.
Humidifier makes gurgling sound.	Excess condensate in steam hose	Make sure steam hose has constant downward slope to humidifier or to tees and traps in low spots of hose.
Fill valve makes banging sound.	Water hammer from line pressure	Make sure water supply line does not contact ductwork.
		Install shock arrestor.
		Install section of 1/4" braided fill line. Conform to governing codes.
Humidifier will not fill.	Field-installed supply water shut-off valve not open	Open valve.
	Malfunctioning fill valve	Check valve function using Test mode.
Humidifier will not drain.	Debris in drain valve blocking outlet port	Remove cylinder and clean debris from drain valve.
	Malfunctioning drain valve	Check valve function using Test mode.

Continued

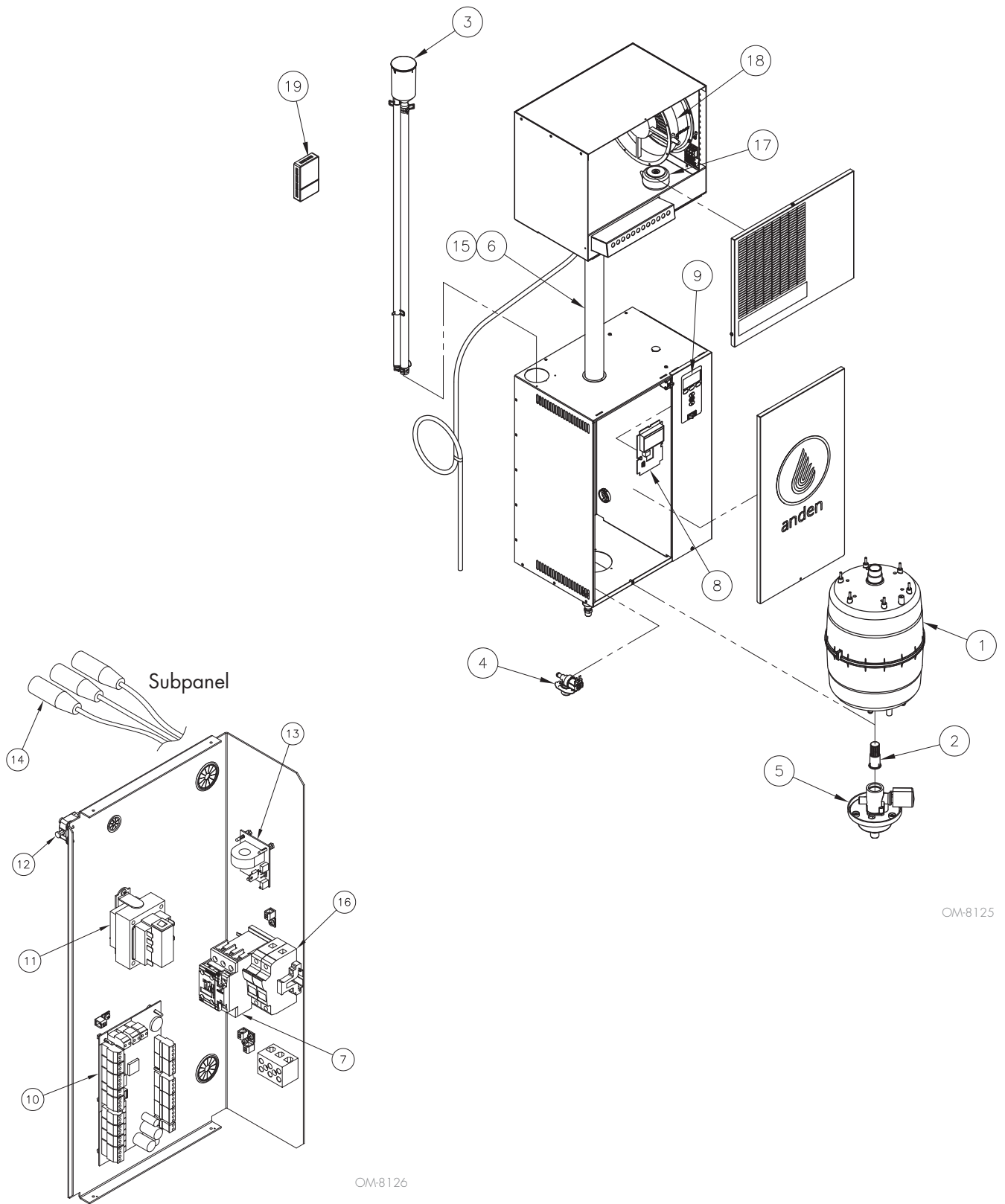
# Troubleshooting

**Table 31-1:  
Model AS150 humidifier troubleshooting guide (continued)**

<b>Problem</b>	<b>Possible cause</b>	<b>Action</b>
Water discharge from steam blower steam box	Impurities in steam hose or tubing causing foaming	Rinse cylinder and hose in clean water.
Humidifier is not satisfying demand.	Control setting too low	Adjust control to higher setting.
	Control mounted in wrong location	See installation instructions with control for correct mounting location.
Excess humidity.	Control setting too high	Adjust control to lower setting.
	Control mounted in wrong location	See installation instructions with control for correct mounting location.

# Replacement parts

**FIGURE 33-1: REPLACEMENT PARTS**



# Replacement parts

<b>Table 34-1: Anden AS150 series replacement parts</b>		
<b>Item</b>	<b>Description</b>	<b>Part No.</b>
1	Cylinder, AS150/AS150-V2	5872
	Cylinder, AS150-V4	71000131
2	Strainer, cylinder	5873
3	Fill cup assembly	5876
4	Fill valve, angled	71000124
5	Drain valve assembly (see parts in Figure 29-1)	5874
6	Hose kit, remote mount steam blower	5940
7	Contactor 65A	5864
8	Vapor-logic display board	5868
9	Vapor-logic membrane touch pad	5869
10	Controller Vapor-logic 6, AS150 (240V)	5870
	Controller Vapor-logic 6, AS150-V4 (480V)	71000132
	Controller Vapor-logic 6, AS150-V2 (208V)	71000287
11	Transformer, 208/240/480V, 24V	5863
12	Switch interlock with override	5865
13	Board, current sensing, AS150/AS150-V2	5866
	Board, current sensing, AS150-V4	71000130
14	Kit, electrode wiring (plugs/wires: 2 red, 2 black, 2 white)	5871
15	Kit condensate mounting steam blower	5878
16	Fuse 2A 600V ATM	5877
17	Steam Blower Transformer AS150/AS150-V2	5948
	Steam Blower Transformer AS150-V4	71000134
18	Steam Blower Fan 120V 550 CFM 10"	5949
19	Transmitter RH Room	71000127

# Notes

### **LIMITED WARRANTY**

Your Research Products Corporation Anden® Steam Humidifier is expressly warranted for five (5) years from date of installation to be free from defects in materials or workmanship.

Research Products Corporation's exclusive obligation under this warranty shall be to supply, without charge, a replacement for any component which is found to be defective within such five (5) year period and which is returned not later than thirty (30) days after said five (5) year period by you to either your original supplier or to Research Products Corporation, Madison, Wisconsin 53701, together with the model number and installation date of the steam humidifier.

THIS WARRANTY SHALL NOT OBLIGATE RESEARCH PRODUCTS CORPORATION FOR ANY LABOR COSTS AND SHALL NOT APPLY TO DEFECTS IN WORKMANSHIP OR MATERIALS FURNISHED BY YOUR INSTALLER AS CONTRASTED TO DEFECTS IN THE STEAM HUMIDIFIER ITSELF.

IMPLIED WARRANTIES OF MERCHANTABILITY OR FITNESS FOR A PARTICULAR PURPOSE SHALL BE LIMITED IN DURATION TO THE AFORESAID FIVE YEAR PERIOD. RESEARCH PRODUCTS CORPORATION'S LIABILITY FOR INCIDENTAL OR CONSEQUENTIAL DAMAGES, OTHER THAN DAMAGES FOR PERSONAL INJURIES, RESULTING FROM ANY BREACH OF THE AFORESAID IMPLIED WARRANTIES OR THE ABOVE LIMITED WARRANTY IS EXPRESSLY EXCLUDED. THIS LIMITED WARRANTY IS VOID IF DEFECT(S) RESULT FROM FAILURE TO HAVE THIS UNIT INSTALLED BY A QUALIFIED HEATING AND AIR CONDITIONING CONTRACTOR. IF THE LIMITED WARRANTY IS VOID DUE TO FAILURE TO USE A QUALIFIED CONTRACTOR, ALL DISCLAIMERS OF IMPLIED WARRANTIES SHALL BE EFFECTIVE UPON INSTALLATION.

Some states do not allow limitations on how long an implied warranty lasts or the exclusion or limitation of incidental or consequential damages so the above exclusion or limitations may not apply to you.

This warranty gives you specific legal rights and you may also have other rights which vary from state to state.

### **WARRANTY REGISTRATION**

Visit us online at [anden.com](http://anden.com) to register your Anden product. If you do not have online access, please mail a postcard with your name, address, phone number, email address, product purchased, model number, date of purchase, and dealer name and address to: Research Products Corporation, PO Box 1467, Madison, WI 53701.

**Your warranty registration information will not be sold or shared outside of this company.**

**anden.com**

P.O. Box 1467

Madison, WI 53701-1467

800.972.3710 F: 608.257.4357

Printed in USA

©2024 Anden – A Quality brand from Research Products Corporation

890000-270 REV G

