

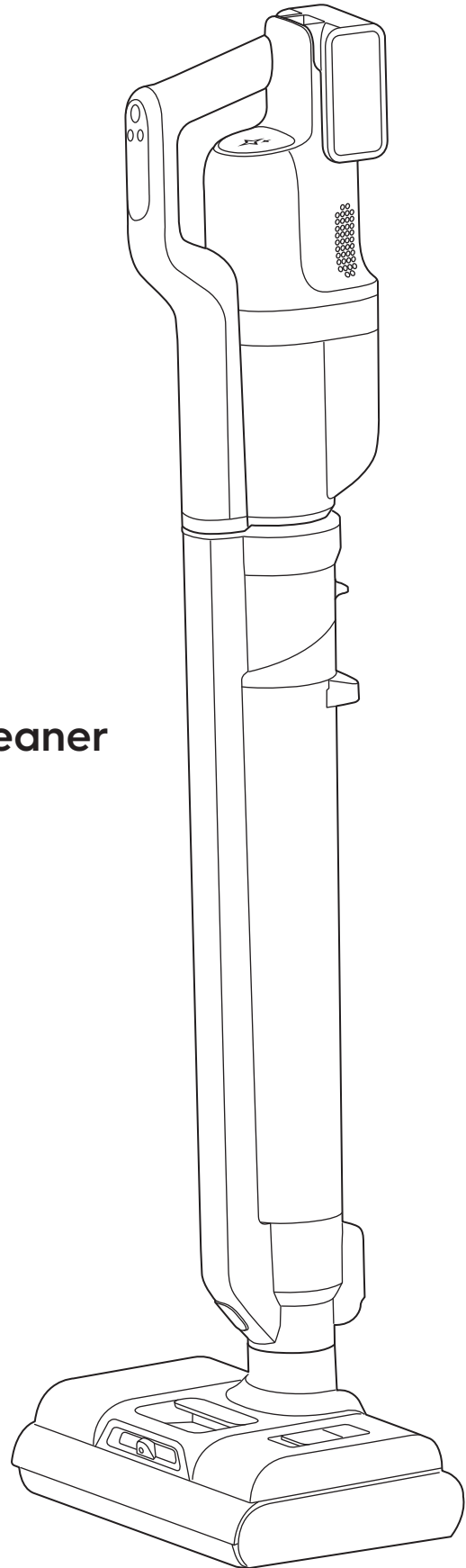


Electrolux

Instruction Book
Mode d'emploi
Manual de insctrucciones

Electrolux Wet & Dry Vacuum Cleaner

EHVS85D2AG / EHVS85D2AD



*Actual product may differ from illustration.

IMPORTANT SAFEGUARDS

When using an electrical appliance, basic precautions should always be followed, including the following:

READ ALL INSTRUCTIONS BEFORE USING THIS VACUUM CLEANER.

Failure to follow the warnings and instructions may result in electric shock, fire and/or serious injury

WARNING

To reduce the risk of fire, electric shock, or injury:

- Do not use outdoors or on wet surfaces.
- Do not operate the vacuum cleaner or charger if it has been damaged in any way. If cleaner is not working as it should, has been dropped, damaged, left outdoors, or dropped into water, return it to a service center.
- To avoid excessive heat and damage to the unit or batteries, do not operate the vacuum cleaner while charging.
- Do not allow to be used as a toy. Close attention is necessary when used by or near children.
- Use only as described in this manual. Use only manufacturer's recommended attachments.
- Only use the charging adapter that was provided with the product.
- Follow all charging instructions and do not charge the battery pack or appliance outside of the temperature range specified in the instructions. Charging improperly or at temperatures outside of the specified range may damage the battery and increase the risk of fire.
- Do not handle the charger or vacuum cleaner with wet hands.
- **DO NOT MUTILATE OR INCINERATE BATTERIES AS THEY WILL EXPLODE AT HIGH TEMPERATURES.**
- Under abusive conditions, liquid may be ejected from the battery; avoid contact. If contact accidentally occurs, flush with water. If liquid contacts eyes, additionally seek medical help. Liquid ejected from the battery may cause irritation or burns. (This advice is considered correct for conventional NiMh, NiCd, lead acid and lithium-ion cell types. If this advice is incorrect for a cell design that differs from these, then the correct advice may be substituted.)
- While there is no shock hazard from electrical terminals located on the vacuum, a burn could result from metal objects being inserted into the terminal areas. Vacuum cleaner terminals should always be kept free of objects.
- This vacuum cleaner creates suction and has a revolving brushroll. Keep hair, loose clothing, fingers, and all parts of body away from openings and moving parts.
- Do not put any object into openings. Do not use with any opening blocked; keep free of dust, lint, hair, and anything that may reduce air flow.
- Do not pick up anything that is burning or smoking, such as cigarettes, matches, or hot ashes.
- Do not use without a filter in place. When servicing the unit, never put fingers or other objects into the fan chamber in case the unit would accidentally be turned on.
- Use extra care when cleaning on stairs.
- Prevent unintentional starting. Ensure the switch is in the off-position before connecting to battery pack, picking up or carrying the appliance. Carrying the appliance with your finger on the switch or energizing appliance that have the switch on invites accidents.
- Do not use to pick up flammable or combustible liquids such as gasoline, or use on areas where they may be present.
- Do not expose the appliance to fire or excessive temperature. Exposure to fire or temperature above 265 °F may cause explosion.
- Locate charger indoors in a cool, dry area, not exposed to weather to avoid electrical shock and/or cleaner damage.
- Keep your work area well lighted.
- Unplug electrical appliances before vacuuming them.
- Have servicing performed by a qualified repair person using only identical replacement parts. This will ensure that the safety of the product is maintained
- Do not modify or attempt to repair the appliance or the battery pack except as indicated in the instructions for use and care.
- Always turn off this appliance before connecting or disconnecting motorized nozzle.

To protect the motor, battery and electronics the product should not be operated in:

- An ambient temperature below 41 °F or exceeding 95 °F.
- A humidity level below 20 % or exceeding 80 % (noncondensing).

If the product is stored for an extended time period (without usage or continuous charging), we recommend to store the product

- indoors and in temperature between 41 °F to 95 °F , and at a humidity between 20 % to 80 %.
- with the batteries charged at 50 % capacity or more.

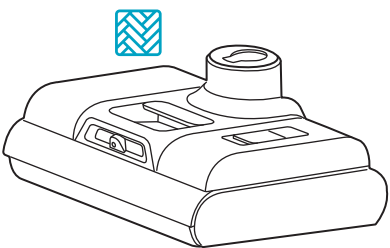
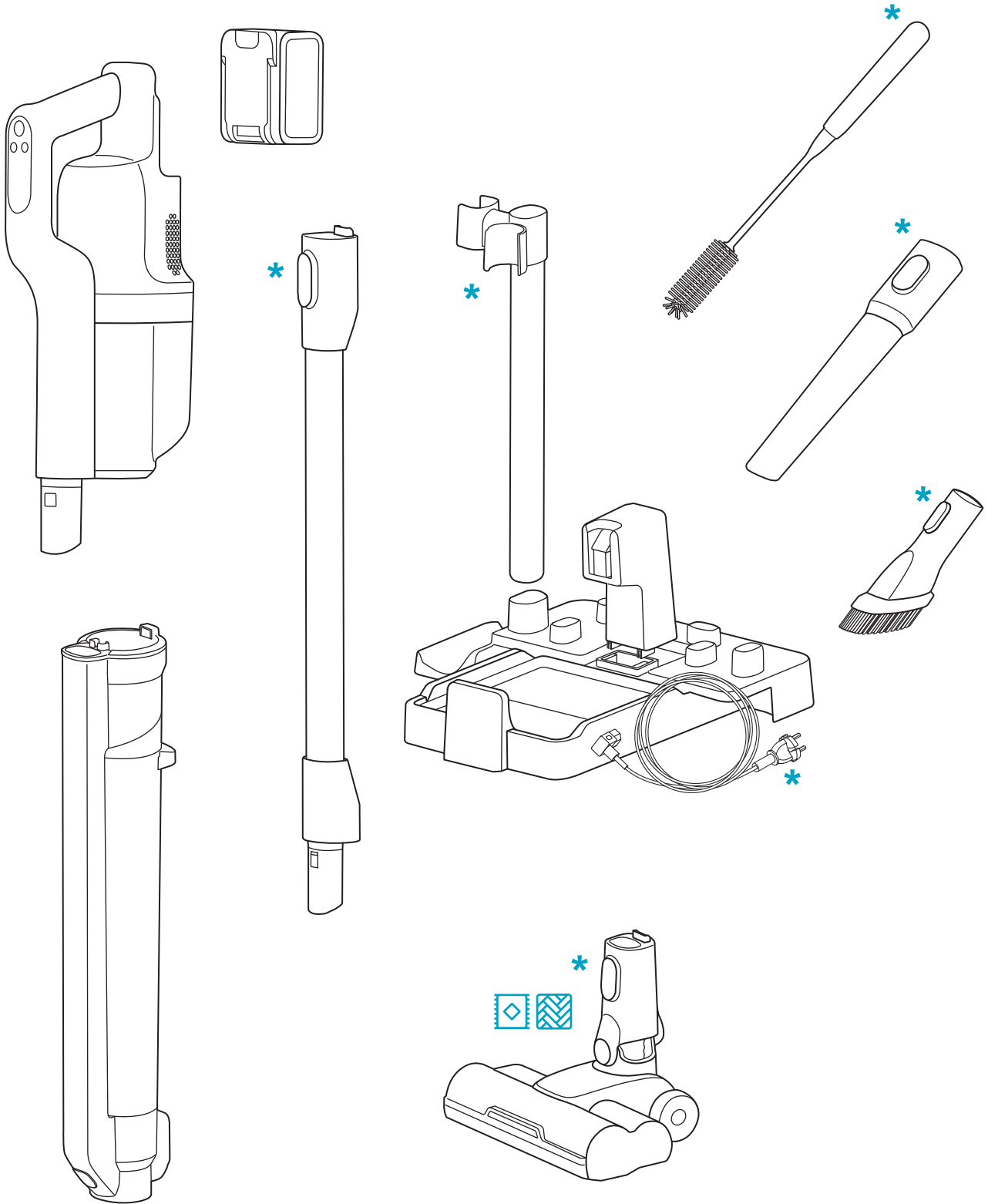
- Do not pull cord around sharp edges or corners. Do not run appliance over cord. Keep cord away from heated surfaces.
- Do not unplug by pulling on cord. To unplug, grasp the plug, not the cord.
- Changes or modifications of this product is not expressly approved by the party responsible for compliance could void the user's authority to operate the equipment.
- This device complies with Part 15 of the FCC Rules. Operation is subject to the following two conditions: (1) this device may not cause harmful interference, and (2) this device must accept any interference received, including interference that may cause undesired operation.
- This equipment has been tested and found to comply with the limits for a Class B digital device, pursuant to part 15 of the FCC Rules. These limits are designed to provide reasonable protection against harmful interference in a residential installation. This equipment generates, uses and can radiate radio frequency energy and, if not installed and used in accordance with the instructions, may cause harmful interference to radio communications. However, there is no guarantee that interference will not occur in a particular installation. If this equipment does cause harmful interference to radio or television reception, which can be determined by turning the equipment off and on, the user is encouraged to try to correct the interference by one or more of the following measures:
 - Reorient or relocate the receiving antenna.
 - Increase the separation between the equipment and receiver.
 - Connect the equipment into an outlet on a circuit different from that to which the receiver is connected.
 - Consult the dealer or an experienced radio/TV technician for help.
- Disconnect the battery pack from the appliance before making any adjustments, changing accessories, or storing appliance. Such preventive safety measures reduce the risk of starting the appliance accidentally.
- Use appliances only with specifically designated battery packs type T-DC71D. Use of any other battery packs may create a risk of injury and fire.
- Do not use a battery pack or appliance that is damaged or modified. Damaged or modified batteries may exhibit unpredictable behavior resulting in fire, explosion or risk of injury.
- Recharge only with the Charging Stand Model: VC-PW502_6 that is suitable for one type of battery pack. May create a risk of fire when used with another battery pack.
- When battery pack is not in use, keep it away from other metal objects, like paper clips, coins, keys, nails, screws or other small metal objects, that can make a connection from one terminal to another. Shorting the battery terminals together may cause burns or a fire.
- Turn off all controls before unplugging.
- Do not leave appliance plugged in. Unplug from outlet when not in use and before servicing.

 **Caution:**

Follow Manufacturer's instructions. Risk of Fire and Burns.

Do Not Open, Crush, Heat Above 140 °F or Incinerate

SAVE THESE INSTRUCTIONS
Household use only !



Accessories may vary from model to model.
 Les accessoires peuvent varier d'un modèle à l'autre.
 Los accesorios pueden variar según el modelo.



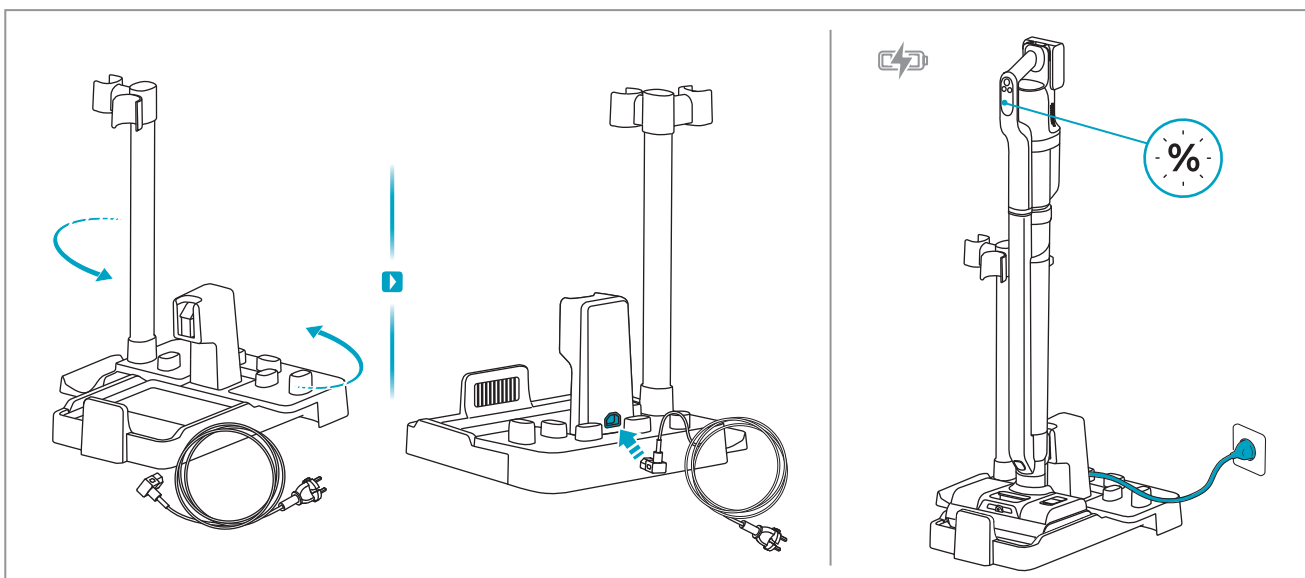
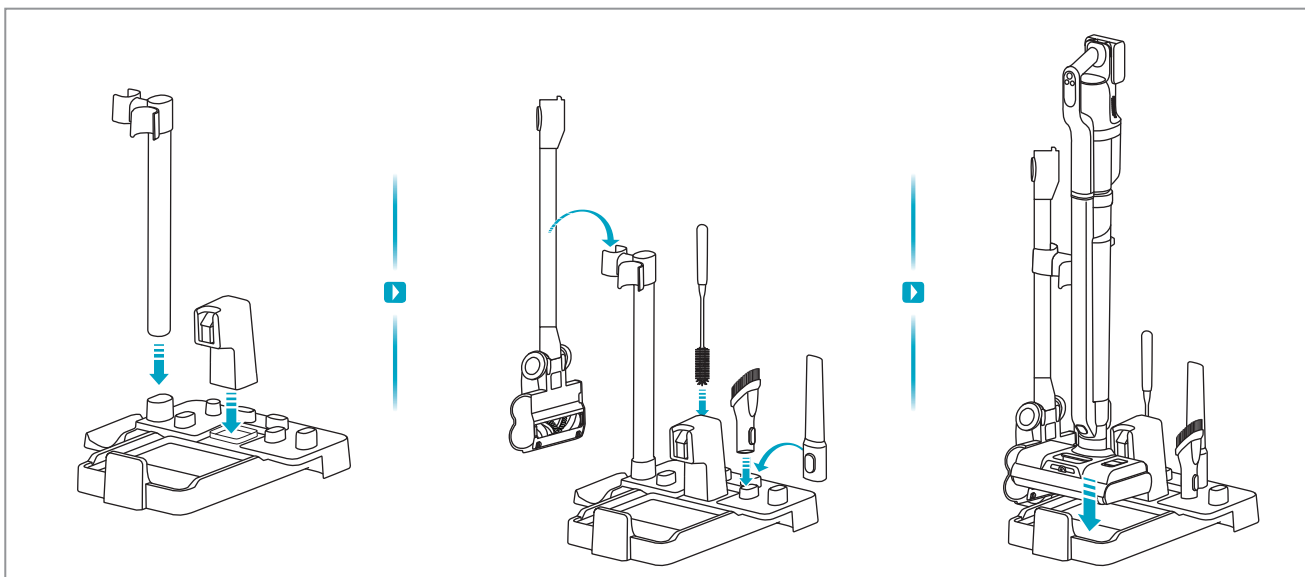
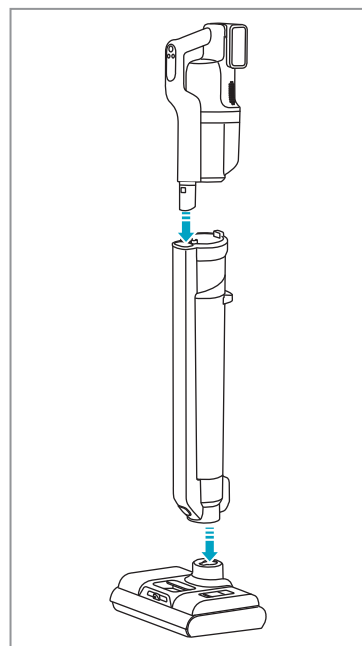
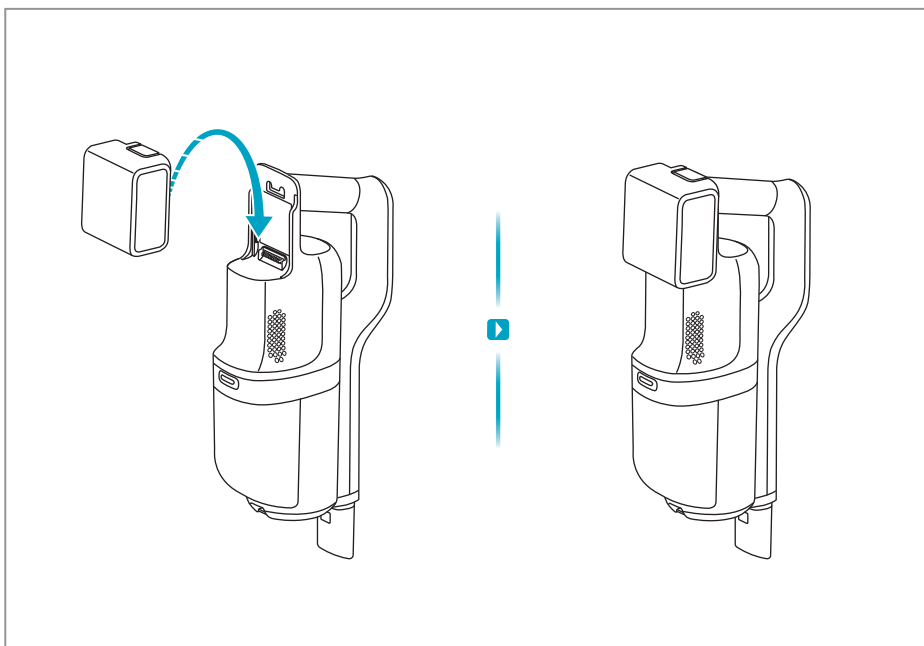
Carpet



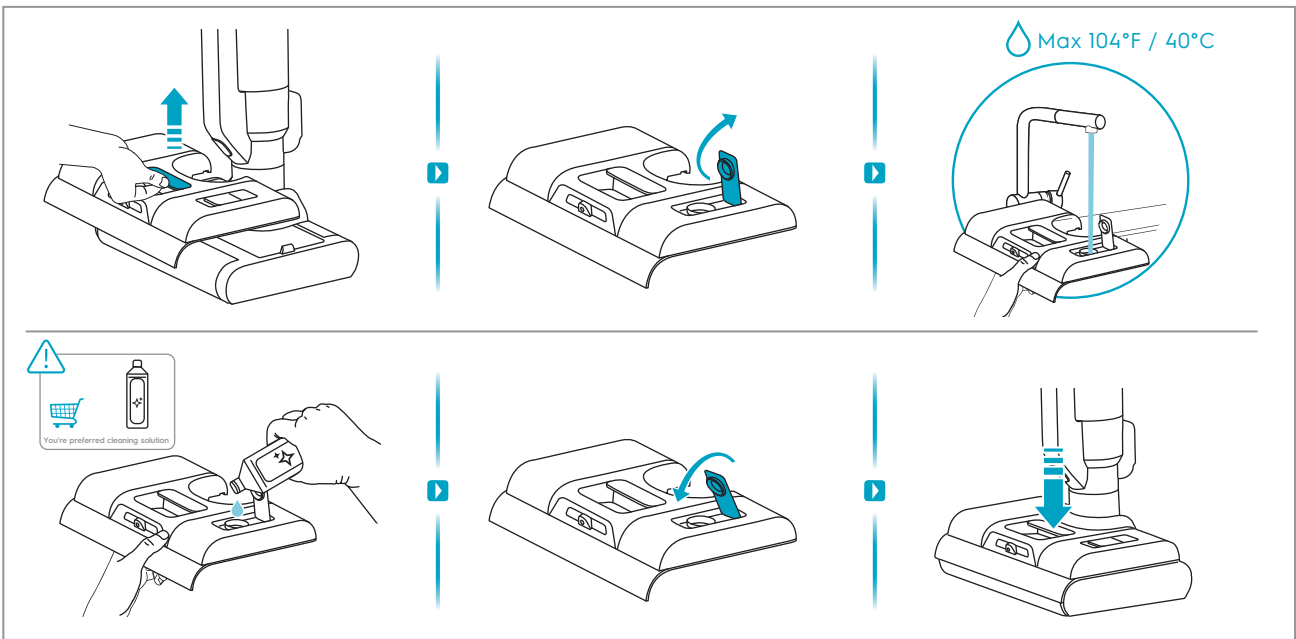
Hard Floor

Wet nozzle is for Hard Floor only./ La buse humide est uniquement destinée aux sols durs. / La boquilla húmeda es sólo para pisos duros.

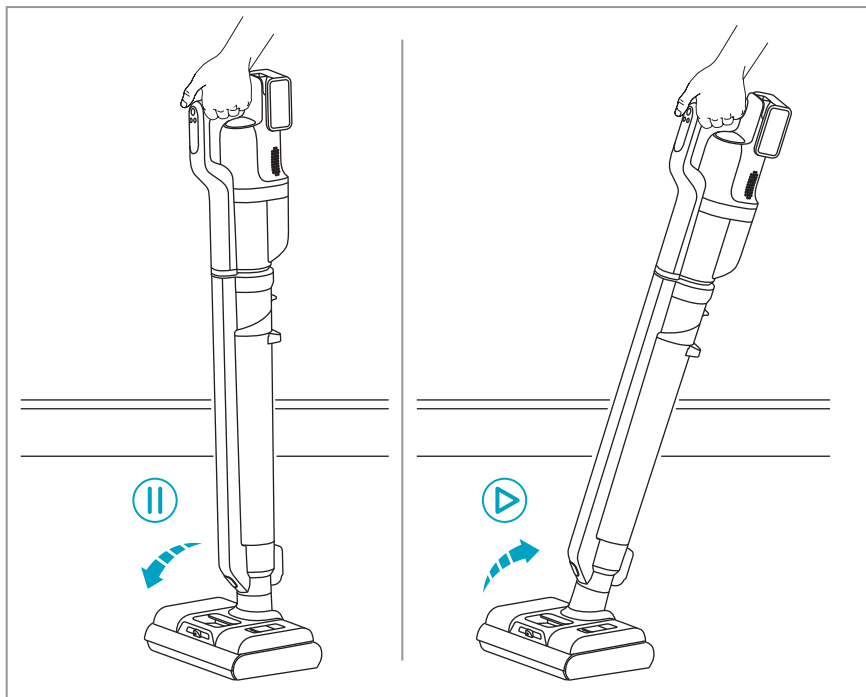
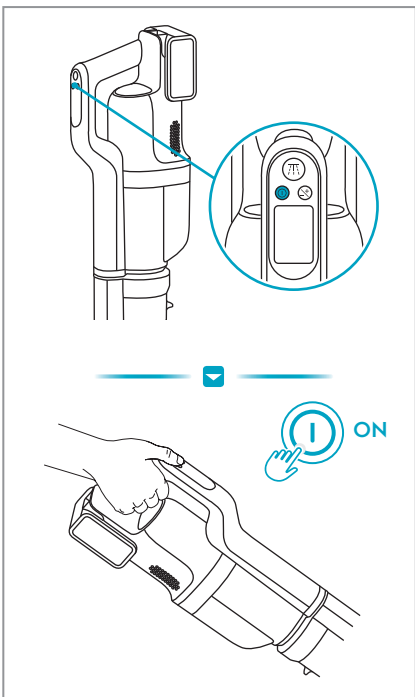
Product Assembly & Charging / Assemblage et chargement du produit /
Armado y carga del producto



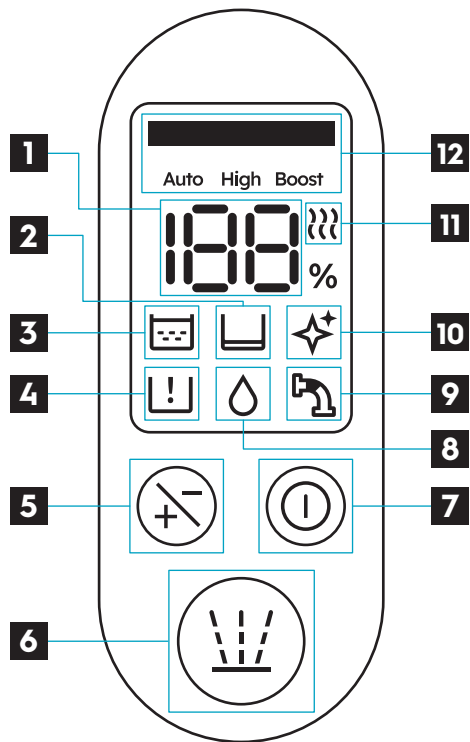
Water and Detergent Usage / Utilisation de l'eau et des détergents / Uso de agua y detergente



- ⚠ Use your preferred pH neutral, low foam cleaning solution that is most suitable for your home's floor type. Do not use cleaning solutions that are highly acidic or have a high alkaline. Follow your cleaning solutions instructions.
- ⚠ Utilice su solución favorita de limpieza de pH neutro y poca espuma que sea más idónea para el tipo de suelo de su hogar. No utilice soluciones de limpieza con alto nivel ácido o alcalino. Siga las instrucciones de sus soluciones de limpieza.
- ⚠ Utilisez la solution de nettoyage à pH neutre et à faible teneur en mousse que vous préférez et qui convient le mieux au type de sol de votre maison. N'utilisez pas de solutions de nettoyage très acides ou alcalines. Suivez les instructions de votre solution de nettoyage.



Display Legend / Leyenda de la pantalla / Légende d'affichage

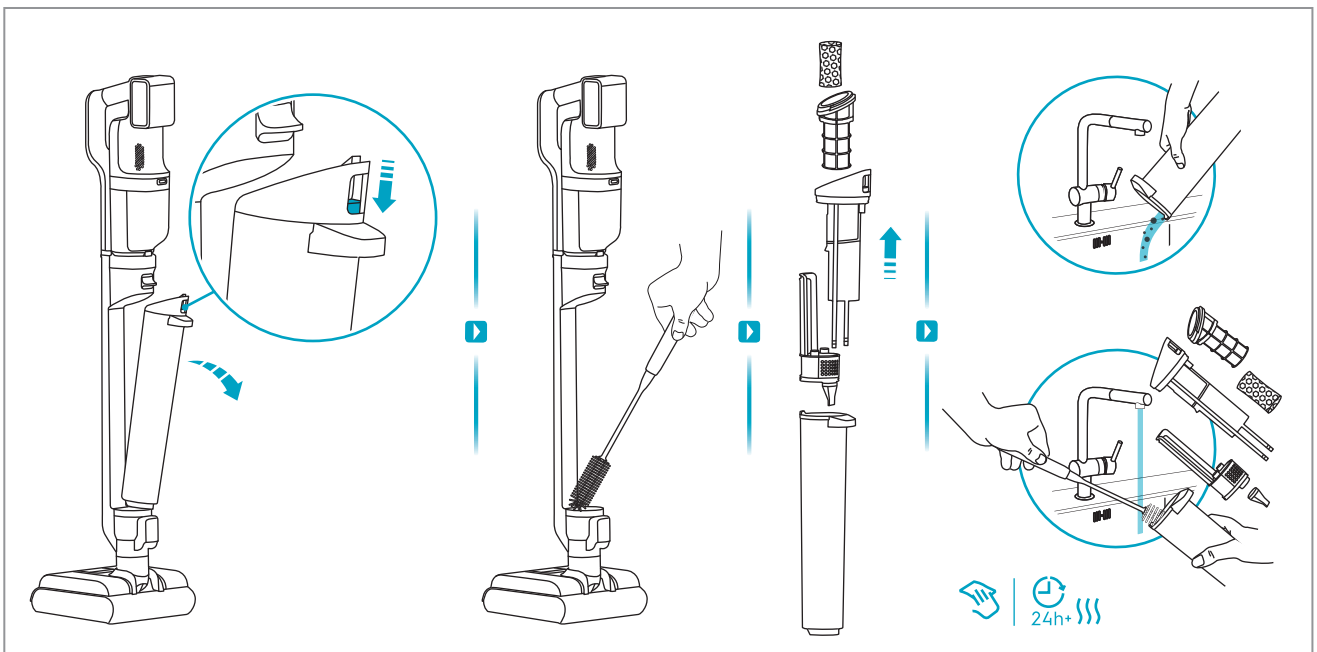
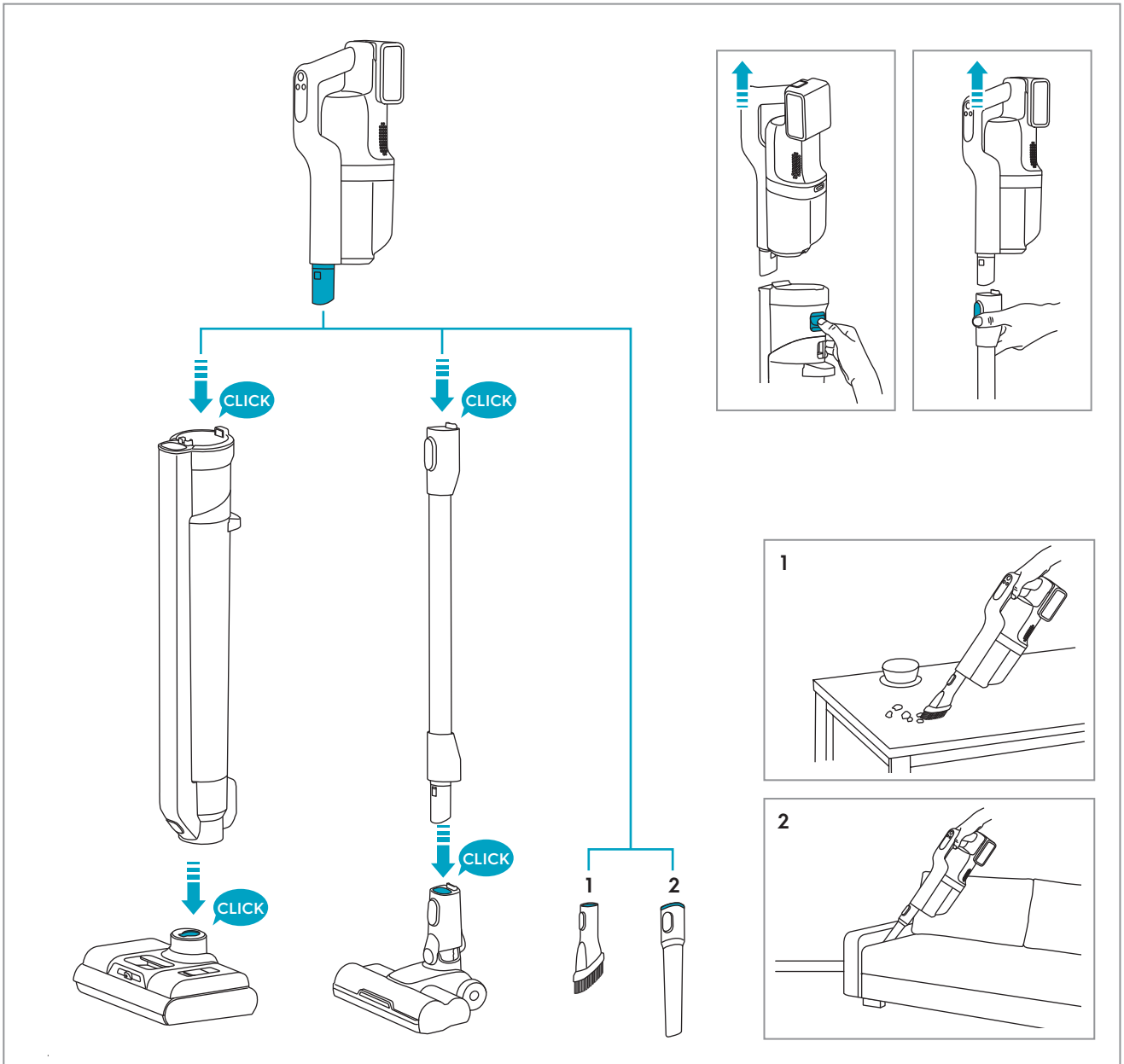


1	Battery level display
2	Clean water low indicator
3	Dirty water full indicator
4	Dirty water tank loose indicator
5	Suction adjustment button
6	Water spray button
7	Power button
8	Mopping indicator
9	Clogging indicator
10	Self-cleaning indicator
11	Drying indicator
12	Suction level display

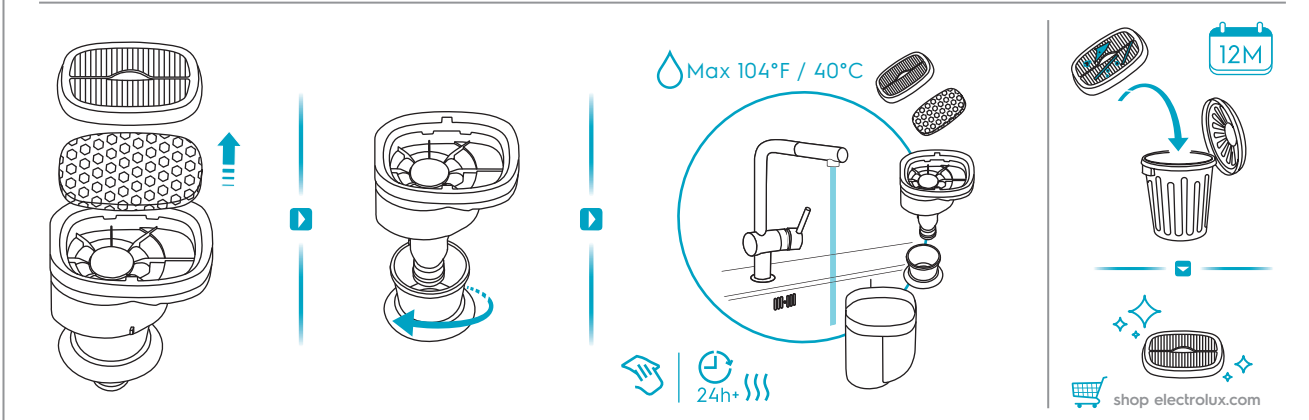
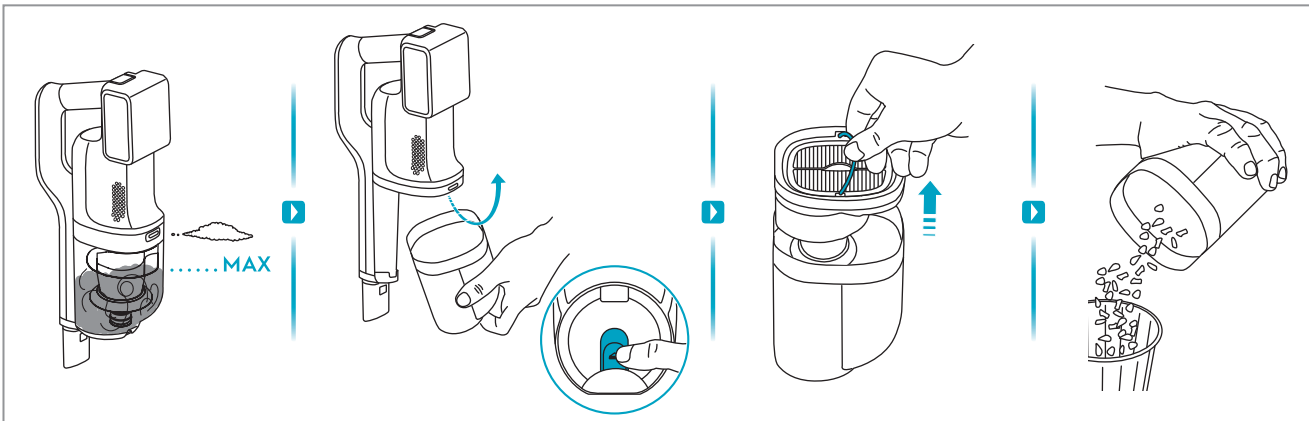
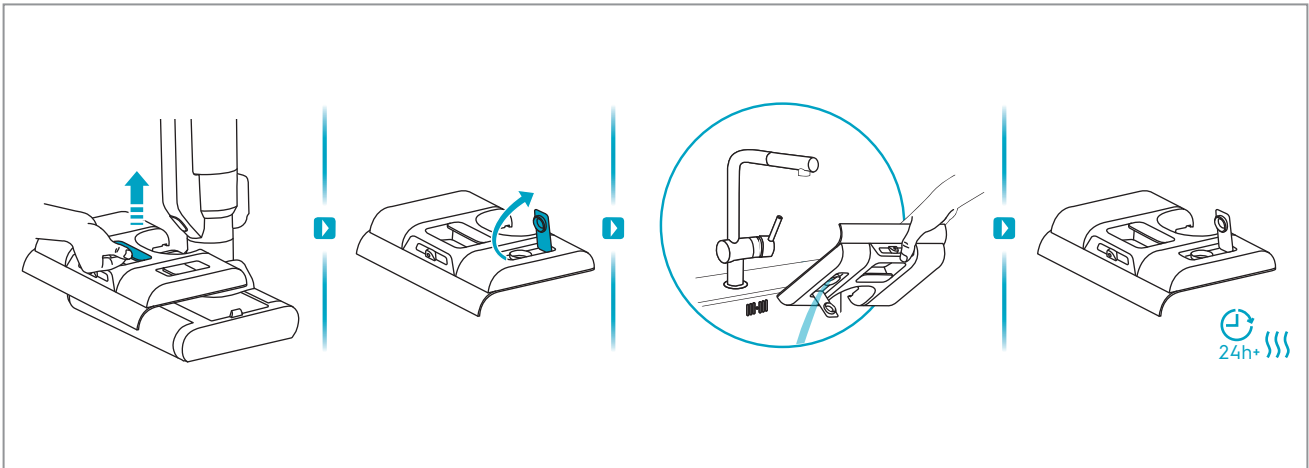
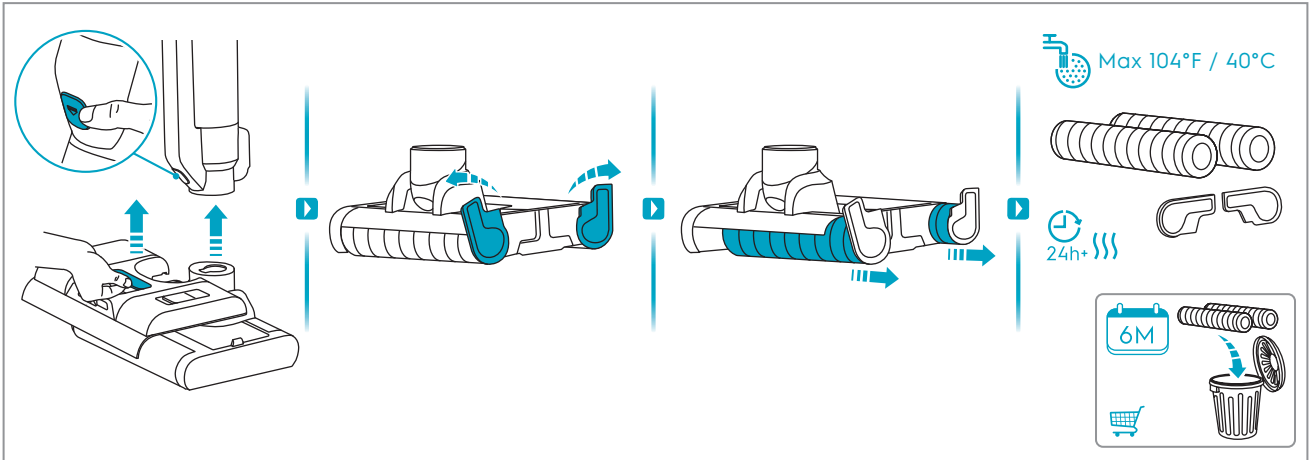
1	Affichage du niveau de la batterie
2	Indicateur de niveau faible d'eau propre
3	Indicateur de niveau plein d'eau sale
4	Indicateur de réservoir d'eau sale desserré
5	Bouton de réglage d'aspiration
6	Bouton de pulvérisation d'eau
7	Bouton d'alimentation
8	Indicateur de nettoyage
9	Indicateur de colmatage
10	Indicateur d'auto-nettoyant
11	Indicateur de séchage
12	Affichage du niveau d'aspiration

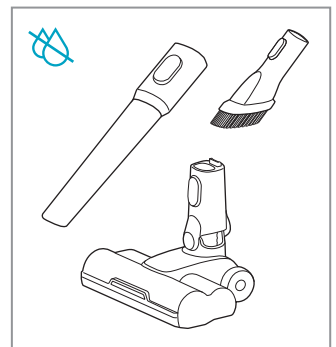
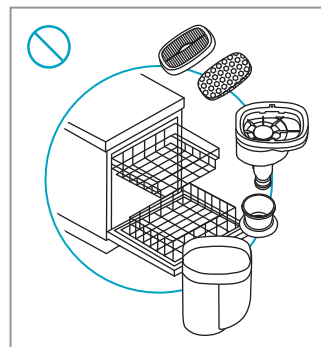
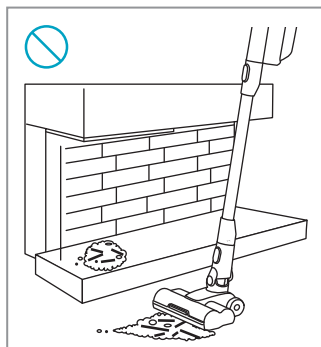
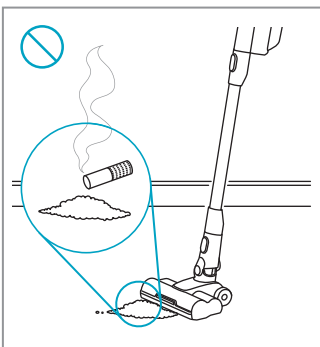
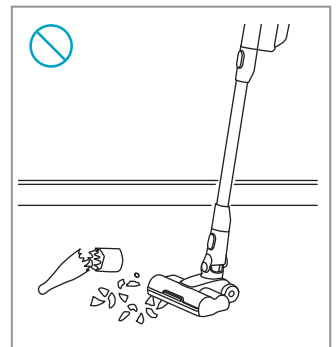
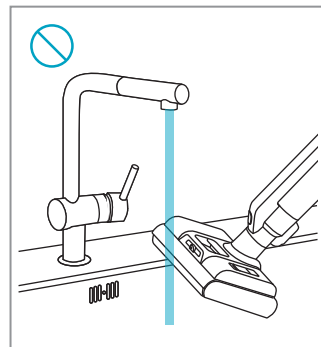
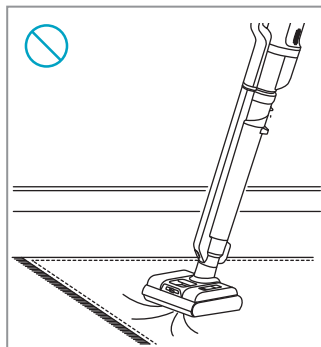
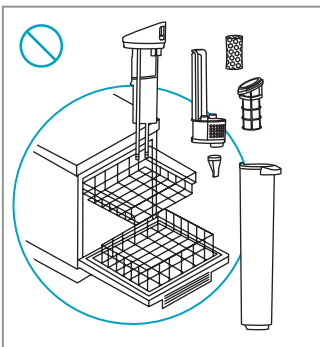
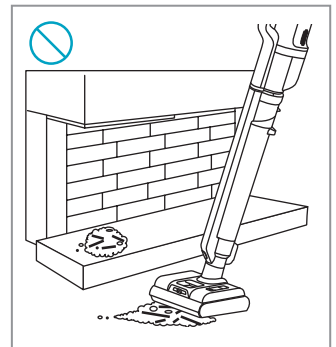
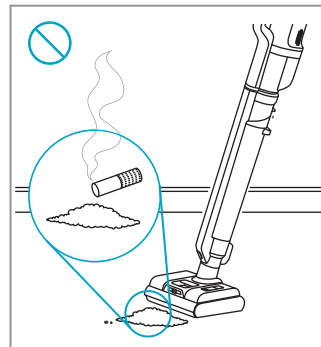
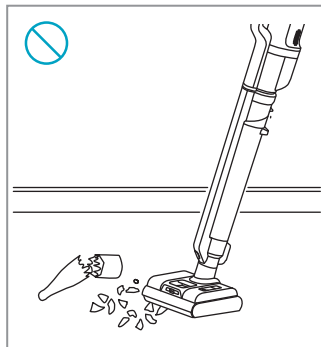
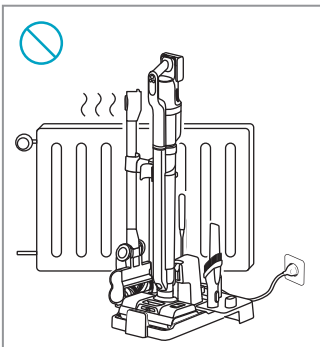
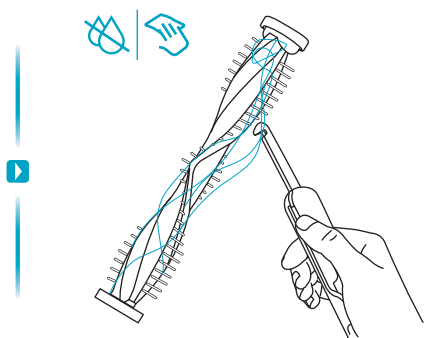
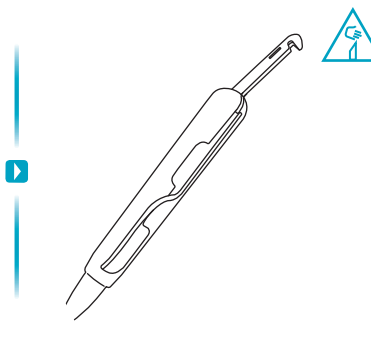
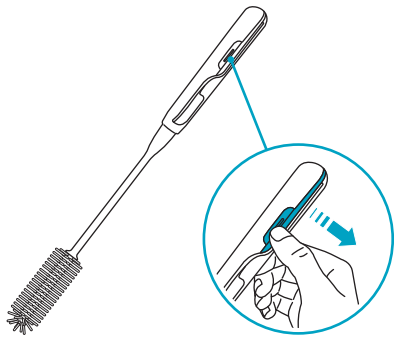
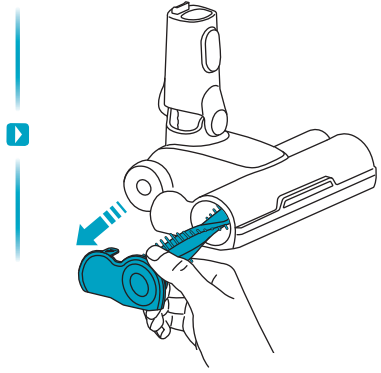
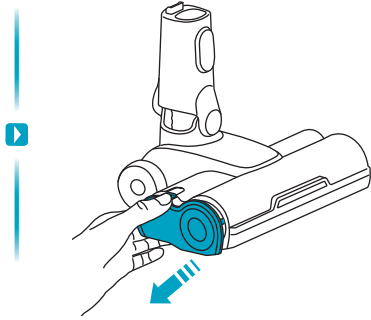
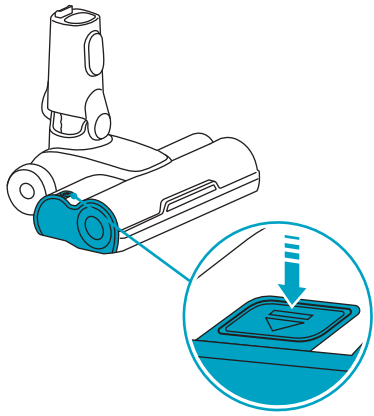
1	Pantalla del nivel de batería
2	Indicador de nivel de agua limpia bajo
3	Indicador de nivel de agua sucia lleno
4	Indicador de depósito de agua sucia suelto
5	Botón de ajuste de succión
6	Botón de agua pulverizada
7	Botón de encendido
8	Indicador de uso de mopa
9	Indicador de obstrucción
10	Indicador de autolimpieza
11	Indicador de secado
12	Pantalla del nivel de succión

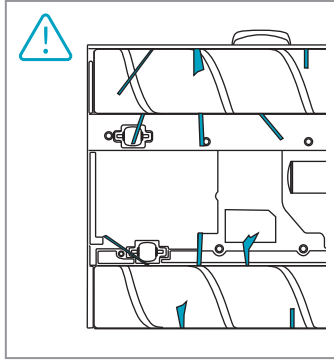
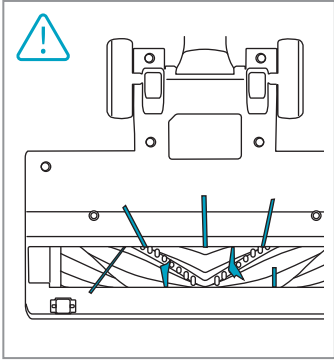
Accessories / Accessoires / Accesorios



Product, Dust Bin, & Filter Maintenance /
Entretien des produits, des bacs à poussière et des filtres /
Mantenimiento del producto, depósito de polvo y filtro







TROUBLESHOOTING

Problem	Possible Cause	Solution
The appliance does not work	The appliance is out of battery, or its battery level is low.	Fully charge its battery before use.
	The appliance is in the upright position.	Recline the appliance backwards
	The appliance is overheating due to blockage and the high-temperature cut-off has activated.	Clear the blockage and wait until the temperature returns normal.
	The Dirty Water Tank is full.	Empty the Dirty Water Tank.
	The hand unit or Dirty Water Tank is not installed in place.	Ensure the hand unit or Dirty Water Tank are all properly in place.
Low suction power	Dust bin may be full, or filters have been clogged or are dirty.	Empty dust bin and wash filters according to instruction manual. If need to replace and buy new filters(www.electrolux.com)
	There are some foreign objects in the tube and the suction inlet, or the tube and the suction inlet are blocked.	Clean the tube and the suction inlet.
Abnormal noise from the appliance	There is too much dirty water in the Dirty Water Tank.	Empty the Dirty Water Tank.
	The suction inlet is blocked.	Clear any blockage in the suction inlet.
	Filter is missing.	Install filter.
The display screen does not light up while charging	The charging stand plug is not inserted into the electrical outlet properly.	Make sure the charging stand plug is inserted in place.
	The appliance is not placed onto the charging stand properly.	Make sure the appliance is placed onto the charging stand properly.
No water is coming out of the appliance	The Clean Water Tank is not properly installed in place, or the water in the Clean Water Tank is insufficient.	Re-install or fill the Clean Water Tank.
Brush roll doesn't rotate	The brush roller may be jammed by hair and large debris.	Remove brush roller and clean brush rollers according to instruction manual.
	The front and back rollers are reversed.	Exchange front and back brush roller.
Self-cleaning fails	The brush roller may be jammed by hair and large debris.	Open the brush roller cover to check and clean the brush roller.
	The appliance is not being charged.	Make sure the appliance is being charged before enabling the self-cleaning function.

Problem	Cause	Solution
Self-cleaning fails	Self-cleaning cannot be enabled if the battery level is lower than 20%.	The self-cleaning function can only be enabled when the appliance is being charged and the battery level is more than 20%.
	The Dirty Water Tank is not installed in place, or the Dirty Water Tank is full.	Re-install or empty the Dirty Water Tank.
	The Clean Water Tank is not installed in place, or the water in the Clean Water Tank is insufficient.	Fill or re-install the Clean Water Tank.
Poor drying performance	The air outlet of the charging stand may be blocked.	Check and clear the blockage of air outlet.

 **WARNING**

This product contains Lithium-ion rechargeable batteries. Do not dispose of Lithium-ion batteries with household waste. Federal and State regulations required proper recycling or disposal of Lithium-ion batteries. Contact your State and Local government agencies for recycle and disposal instructions.

Limited Warranty

Your appliance is covered by a two year limited warranty. For two years from your original date of purchase, Electrolux will pay all costs for repairing or replacing any parts of this appliance that prove to be defective in materials or workmanship when such appliance is installed, used and maintained in accordance with the provided instructions.

Exclusions

This warranty does not cover the following:

1. Products with original serial numbers that have been removed, altered or cannot be readily determined.
2. Product that has been transferred from its original owner to another party or removed outside the USA or Canada.
3. Rust on the interior or exterior of the unit.
4. Products purchased "as-is" are not covered by this warranty.
5. Products used in a commercial setting.
6. Service calls which do not involve malfunction or defects in materials or workmanship, or for appliances not in ordinary household use or used other than in accordance with the provided instructions.
7. Service calls to correct the installation of your appliance or to instruct you how to use your appliance.
8. Expenses for making the appliance accessible for servicing, such as removal of trim, cupboards, shelves, etc., which are not a part of the appliance when it is shipped from the factory.
9. Service calls to repair or replace appliance light bulbs, air filters, other consumables, or knobs, handles, or other cosmetic parts.
10. Pickup and delivery costs; your appliance is designed to be repaired in the home.
11. Surcharges including, but not limited to, any after hour, weekend, or holiday service calls, tolls, ferry trip charges, or mileage expense for service calls to remote areas, including the state of Alaska.
12. Damages to the finish of appliance or home incurred during transportation or installation, including but not limited to floors, cabinets, walls, etc.
13. Damages caused by: services performed by unauthorized service companies; use of parts other than genuine Electrolux parts or parts obtained from persons other than authorized service companies; or external causes such as abuse, misuse, inadequate power supply, accidents, fires, or acts of God.

DISCLAIMER OF IMPLIED WARRANTIES; LIMITATION OF REMEDIES

CUSTOMER'S SOLE AND EXCLUSIVE REMEDY UNDER THIS LIMITED WARRANTY SHALL BE REPAIR OR REPLACEMENT AS PROVIDED HEREIN. CLAIMS BASED ON IMPLIED WARRANTIES, INCLUDING WARRANTIES OF MERCHANTABILITY OR FITNESS FOR A PARTICULAR PURPOSE, ARE LIMITED TO ONE YEAR OR THE SHORTEST PERIOD ALLOWED BY LAW, BUT NOT LESS THAN ONE YEAR. ELECTROLUX SHALL NOT BE LIABLE FOR CONSEQUENTIAL OR INCIDENTAL DAMAGES SUCH AS PROPERTY DAMAGE AND INCIDENTAL EXPENSES RESULTING FROM ANY BREACH OF THIS WRITTEN LIMITED WARRANTY OR ANY IMPLIED WARRANTY. SOME STATES AND PROVINCES DO NOT ALLOW THE EXCLUSION OR LIMITATION OF INCIDENTAL OR CONSEQUENTIAL DAMAGES, OR LIMITATIONS ON THE DURATION OF IMPLIED WARRANTIES, SO THESE LIMITATIONS OR EXCLUSIONS MAY NOT APPLY TO YOU. THIS WRITTEN WARRANTY GIVES YOU SPECIFIC LEGAL RIGHTS. YOU MAY ALSO HAVE OTHER RIGHTS THAT VARY FROM STATE TO STATE.

If You Need Service

Keep your receipt, delivery slip, or some other appropriate payment record to establish the warranty period should service be required. If service is performed, it is in your best interest to obtain and keep all receipts. Service under this warranty must be obtained by contacting Electrolux at the addresses or phone numbers below.

This warranty only applies in the USA, Puerto Rico and Canada. In the USA and Puerto Rico, your appliance is warranted by Electrolux Major Appliances North America, a division of Electrolux Home Products, Inc. In Canada, your appliance is warranted by Electrolux Canada Corp. Electrolux authorizes no person to change or add to any obligations under this warranty. Obligations for service and parts under this warranty must be performed by Electrolux or an authorized service company. Product features or specifications as described or illustrated are subject to change without notice.

Web: electrolux.com (USA) ; electrolux.ca (Canada)

Phone: (800)-896-9756

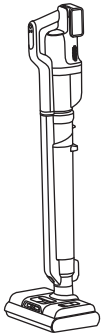
**ORDER GENUINE ACCESSORIES AND REPLACEMENT PARTS
COMMANDE ACCESSOIRES ET PIÈCES DE RECHANGE D'ORIGINE
PEDIDO ACCESORIOS Y REPUESTOS LEGÍTIMOS**



**electrolux.com (USA)
electrolux.ca (Canada)**



(800)-896-9756

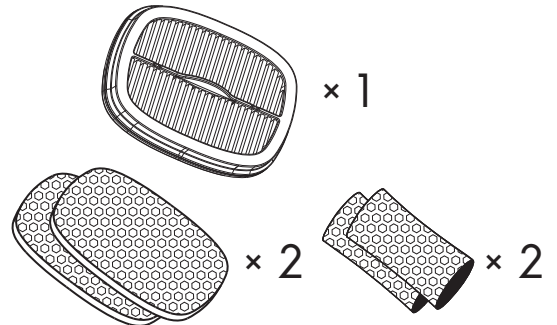


Model index:

EHVS85D2AG
EHVS85D2AD

Part No.:
ELPAVAF12

Description:
Electrolux Wet & Dry
Vacuum Cleaner Filter Set





USA
(800)-896-9756
Electrolux Appliances North America
10200 David Taylor Drive
Charlotte, NC 28262

Canada
(800)-896-9756
Electrolux Canada Corp.
5855 Terry Fox Way
Mississauga, Ontario,
Canada L5V 3E4

