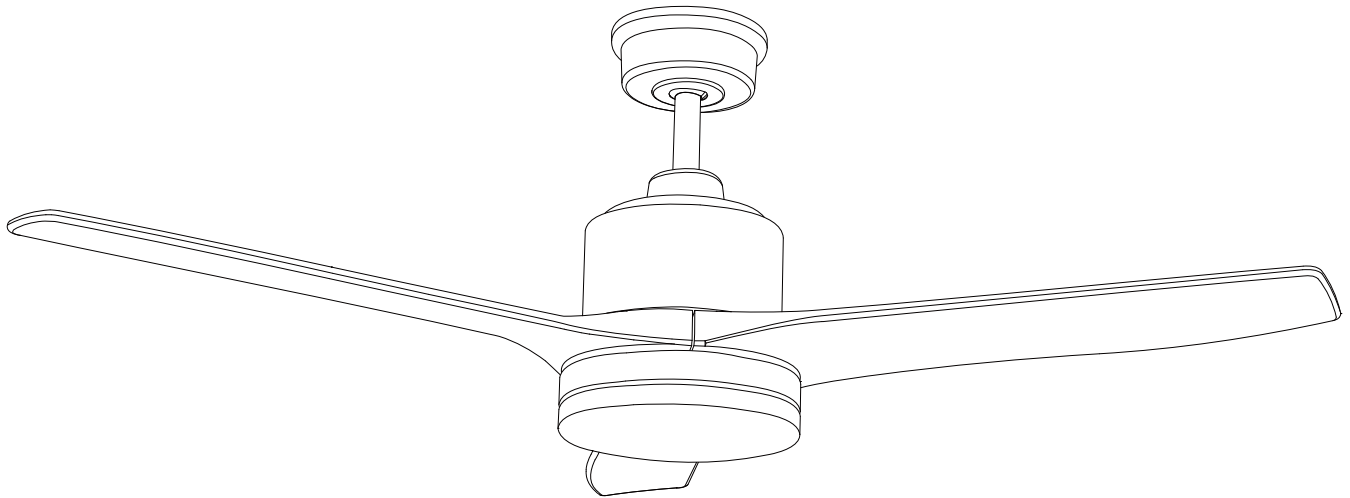


GOOD HOUSEKEEPING

USE AND CARE GUIDE

CANTON 52 IN. CEILING FAN



THANK YOU

We appreciate the trust and confidence you have placed in Good Housekeeping through the purchase of this ceiling fan. We strive to continually create quality products designed to enhance your home. Visit us online to see our full line of products available for your home improvement needs. Thank you for choosing Good Housekeeping!

Table of Contents

Table of Contents	2
Safety Information	2
Warranty	3
Specification	3
Pre-installation.....	3
Tools Required	3

Hardware Included	4
Package Contents	5
Installation	6
Operation.....	12
Care and Cleaning	14
Troubleshooting	14
Technical Support	14

Safety Information

PLEASE READ AND SAVE THESE INSTRUCTIONS.

1. To reduce the risk of electric shock, ensure electricity has been turned off at the circuit breaker or fuse box before beginning.
2. All wiring must be in accordance with the National Electrical Code, ANSI/NFPA 70, and local electrical codes. Electrical installation should be performed by a qualified licensed electrician.
3. The outlet box and support structure must be securely mounted and capable of reliably supporting a minimum of 35 pounds. Use only UL Listed outlet boxes marked "FOR FAN SUPPORT".
4. Do not operate the reversing switch while the fan blades are in motion. The fan must be turned off and blades stopped before reversing blade direction.
5. Avoid placing objects in the path of the blades. To avoid personal injury or damage to the fan and other items, be cautious when working around or cleaning the fan.
6. Do not use water or detergents when cleaning the fan or fan blades. A dry dust cloth or lightly dampened cloth will be suitable for most cleaning.
7. After making electrical connections, spliced conductors should be turned upward and pushed carefully up into the outlet box. The wire should be spread apart with the grounded conductor and the equipment-grounding conductor on one side of the outlet box. Splices after being made should be turned upward and pushed carefully up into the outlet box.
8. Electrical diagrams are for reference only. Light kits that are not packed with the fan must be UL Listed and marked suitable for use with the model fan you are installing. Switches must be UL General Use Switches. Refer to the instructions packaged with the light kits and switches for proper assembly.



WARNING: Before servicing or cleaning unit, switch power off at service panel, and lock service disconnecting means to prevent power from being switched on accidentally. When the service disconnecting means cannot be locked, securely fasten a prominent warning.



WARNING: To reduce the risk of fire, electric shock or personal injury, mount to an outlet box acceptable for fan support of 15.9 kg (35 lbs) or less. Use mounting screws provided with the outlet box. Most outlet boxes commonly used for the support of lighting fixtures are not acceptable for fan support and may need to be replaced. Consult a qualified electrician if in doubt.



WARNING: To reduce the risk of personal injury, do not bend the blade brackets when installing the brackets, balancing the blades, or cleaning the fan. Do not insert foreign objects in between rotating fan blades.



WARNING: To reduce the risk of fire or electric shock, do not use this fan with any solid-state speed control device.



CAUTION: To reduce the risk of injury to person, the fan must be mounted with a minimum of 7 feet clearance from the trailing edge of the blades to the floor.



WARNING: To reduce the risk of fire or electric shock, this fan should only be used with fan speed control model no. AC8.3T.



CAUTION: Changes or modifications not expressly approved by the party responsible for compliance could void the user's authority to operate the equipment.

Warranty

LIMITED WARRANTY

WHAT IS COVERED

OceanAire Home Goods Company makes the following limited warranty to the original user or consumer purchaser of this Good Housekeeping ceiling fan.

The manufacturer warrants the fan motor to be free from defects in workmanship and material present at time of shipment from the factory for the lifetime of the fan motor for the original purchaser. This warranty is voided if the ceiling fan is not purchased and used in the contiguous USA. The manufacturer also warrants that all other fan parts, excluding any glass or acrylic blades, to be free from defects in workmanship and material at the time of shipment from the factory for a period of two years after the date of purchase by the original purchaser. We agree to correct such defects without charge or at our option replace with a comparable or superior model if the product is returned to the manufacturer. To obtain warranty service, you must present a copy of the receipt as proof of purchase. All costs of removing and reinstalling the product are your responsibility. Damage to any part such as by accident or misuse or improper installation or by affixing any accessories, is not covered by this warranty. Because of varying climatic conditions this warranty does not cover any changes in finish, including rusting, pitting, corroding, tarnishing or peeling. A certain amount of "wobble" is normal and should not be considered a defect. Servicing performed by unauthorized persons shall render the warranty invalid. There is no other express warranty. The manufacturer hereby disclaims any and all warranties, including but not limited to those of merchantability and fitness for a particular purpose to the extent permitted by law. The duration of any implied warranty which cannot be disclaimed is limited to the time period as specified in the express warranty. Some states do not allow limitation on how long an implied warranty lasts, so the above limitation may not apply to you. The manufacturer shall not be liable for incidental, consequential, or special damages arising out of or in connection with product use or performance except as may otherwise be accorded by law. Some states do not allow the exclusion of incidental or consequential damages, so the above exclusion or limitation may not apply to you. This warranty gives specific legal rights, and you may also have other rights which vary from state to state. This warranty supersedes all prior warranties. Shipping costs for any return of product as part of a claim on the warranty must be paid by the customer.

Specification

Fan Size	Speed	Volts	Amps	Watts	RPM	CFM	N.W.	G.W.	C.F.
52 in.	Low	120	0.3	16	70	2085	16.53 lb	22.71 lb	2.23
	Med	120	0.4	35	120	3414			
	High	120	0.5	56	160	4718			

Pre-installation

TOOLS REQUIRED



Step ladder



Safety goggles



Phillips screwdriver



Adjustable wrench



Pliers



Wire cutter



Electrical tape



(2) AAA battery

Pre-installation (continued)

HARDWARE INCLUDED



NOTE: Hardware not shown to actual size.



AA



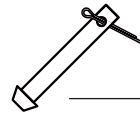
BB



CC



DD



EE

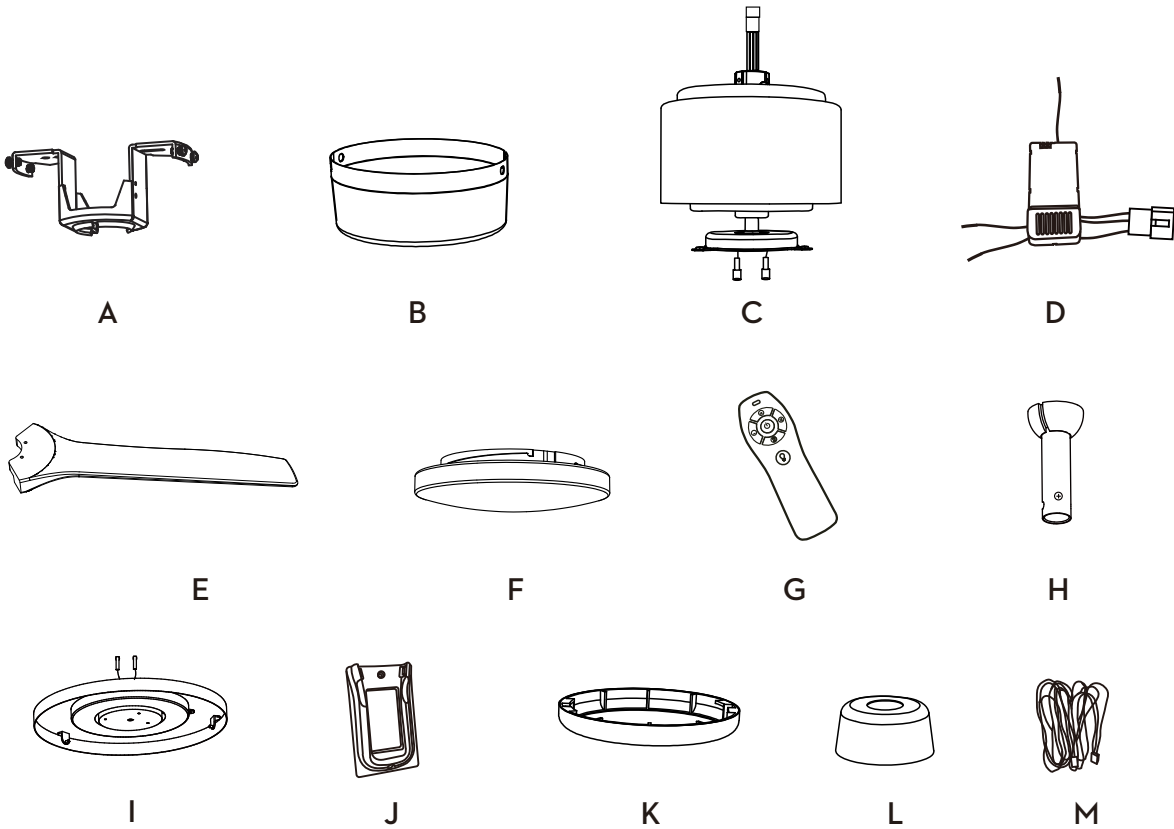
Part	Description	Quantity
AA	Fan Blade Balancing Kit	1
BB	Wire Nuts	3
CC	Blade Screws with pre-installed Flat Washers and Spring Washers	7
DD	Remote Control Holder Mounting Screws	2
EE	Pivot Pin with pre-installed Split Pin	1

Pre-installation (continued)

PACKAGE CONTENTS



NOTE: Unpack your fan and check the contents. You should have the following items listed below.



Part	Description	Quantity
A	Mounting bracket	1
B	Ceiling canopy	1
C	Fan motor assembly	1
D	Receiver	1
E	Set of blades	3
F	Glass shade	1
G	Remote control	1
H	6 in. Downrod assembly	1
I	Light kit with 15W integrated LED	1
J	Remote control holder	1
K	Canopy ring	1
L	Hanger cover	1
M	Extension cord for longer downrod (longer downrod not included)	1

Installation

1 Determining mounting method



WARNING: To reduce the risk of fire, electric shock, or personal injury, mount to outlet box marked acceptable for fan support of 15.9 kg (35 lbs) or less and use mounting screws provided with the outlet box.

- If there is not an existing UL Listed metal mounting box, then read the following instructions. Disconnect the power by removing fuses or turning off circuit breakers.
- Secure the outlet box directly to the building structure. Use appropriate fasteners and building materials. The outlet box and its support must be able to fully support the moving weight of the fan (at least 35 lbs.). Do not use plastic outlet boxes. Figures 1 and 2 are examples of different ways to mount the outlet box.
- To hang your fan where there is an existing fixture but no ceiling joist, you may need an installation hanger bar as shown in Figure 3 (available at your Retailer).

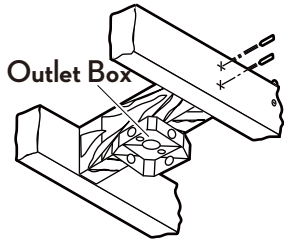


Figure 1

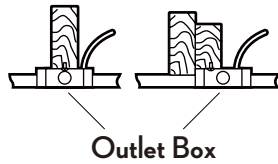


Figure 2

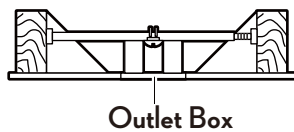


Figure 3



WARNING: All set screws must be checked, and retightened where necessary, before installation.

2 Installing the fan body

- Remove the mounting bracket (A) from the canopy (B) by loosening the two canopy screws and star washers located in the L-shaped slots. Remove the two canopy screws and star washers in the round holes and save them for later use. This will enable you to remove the mounting bracket (A). (Figure 4)

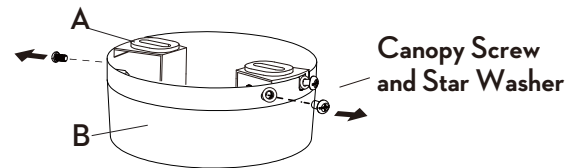


Figure 4

- Remove the split pin and pivot pin (EE) from the loose parts bag and set them aside for later restoration.
- Place the downrod assembly (H) through the ceiling canopy (B), canopy ring (K) and hanger cover (L). (Figure 5).
- Carefully feed the fan wires up through the downrod assembly (H).

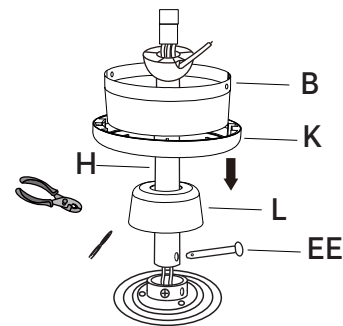
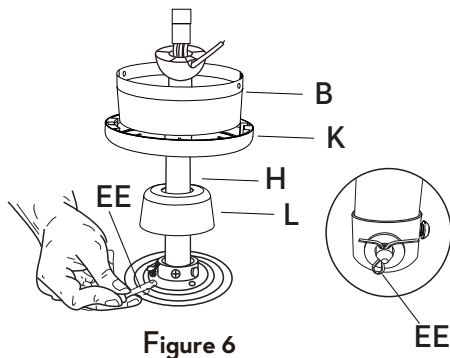


Figure 5

Installation

2 Installing the fan body (continued)

- Loosen the screws first and then insert the downrod assembly (H) into the hanger at the top of the fan motor assembly.
- Push the pivot pin (EE) through the hanger and downrod holes (Figure 6). Pivot pin's insert end is a specially designed cone shape that pushes away and won't harm the wires inside the downrod. Secure the pivot pin by inserting the split pin and bending the ends to prevent it from falling out of the holes (Figure 6).
- Secure the hanger and downrod by tightening the screws pre-installed on the hanger (Figure 6).



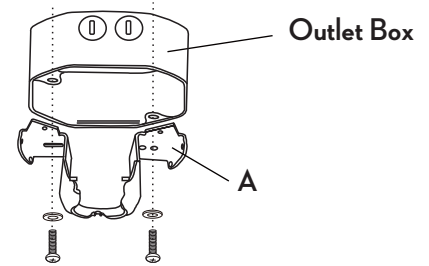
3 Installing the mounting bracket



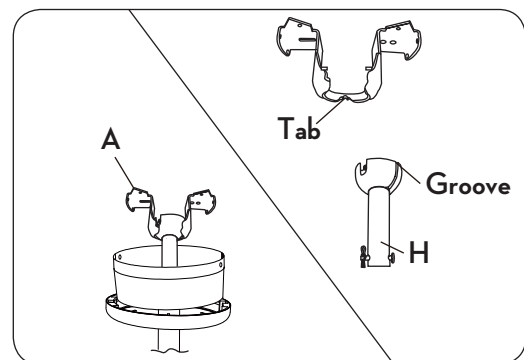
NOTE: You may need a longer downrod to maintain proper blade clearance when installing on a steep, sloped ceiling. The maximum angle allowable is 18° away from the pitch of the ceiling.

REMEMBER to turn off the power. Follow the steps below to hang your fan properly.

- Secure the mounting bracket (A) to the ceiling outlet box as shown in Figure 7 by using two screws and washers (not provided). Make sure the mounting bracket is level. You may need to insert additional washers (not provided) between the outlet box and the mounting bracket to make it level.



- Before making the electrical connections, carefully lift the fan assembly up to the mounting bracket (A). Seat the hanger ball in the mounting bracket socket. Make sure the tab on the mounting bracket socket is properly seated in the groove in the hanger ball (Figure 8).



Installation (continued)

4 Installing the receiver



WARNING: To reduce the risk of fire or electric shock, remember to disconnect power. The electrical wiring must meet all local and national electrical code requirements. The electrical source and fan must be 110/120 volt, 60Hz. Do not use this product in conjunction with any variable wall control. Incorrect wire connection can damage this receiver.



CAUTION: If other fan wires are a different color, have this unit installed by a licensed electrician.



CAUTION: Do not install the receiver in a damp location or immerse in water (For indoor use only). Do not pull on or cut the receiver leads shorter. Do not drop or bump the unit.

- Position the house supply wires to one side of the mounting bracket (A); position the fan wires to the opposite side.
- Insert the narrow end of the receiver (D) (as shown, flat side towards the ceiling) into the mounting bracket (A) until it rests on top of the ball/downrod assembly.

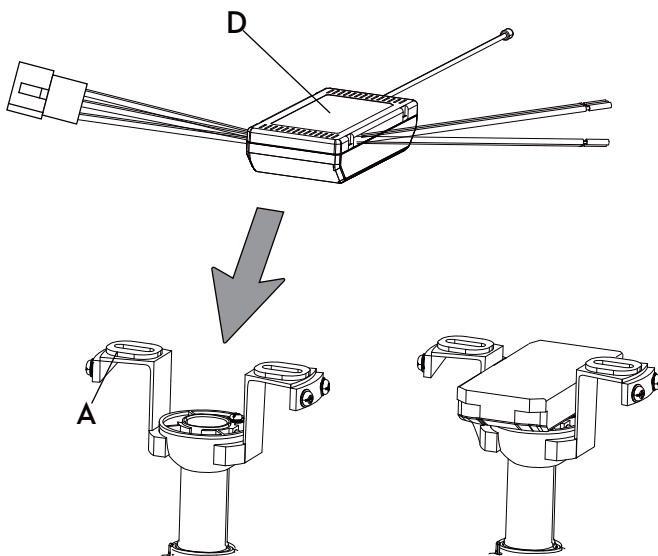


Figure 9

5 Wiring the receiver to the household wiring and the fan



WARNING: To avoid possible electrical shock, turn the electricity off at the main fuse box before wiring. If you feel you do not have enough electrical wiring knowledge or experience, contact a licensed electrician.



WARNING: Each wire nut supplied with this fan is designed to accept up to one 12-gauge house wire and two wires from the fan. If you have larger than 12-gauge house wiring or more than one house wire to connect to the fan wiring, consult an electrician for the proper size wire nuts to use.



IMPORTANT: Use the wire nuts (BB) supplied with your fan. Secure the connectors with electrical tape and ensure there are no loose strands or connections.

- Connect the receiver (D) to the fan wires by inserting the molded adaptor plug from the receiver (D) to the molded adaptor plug on top of downrod assembly (H), as illustrated in Figure 10.
- Use wire connectors (BB) to connect the receiver (D) and fan wires to the supply wires from outlet box according to Figure 10 and the following instructions:
 - 1) Connect the white (neutral) wire from outlet box to the white "AC in N" wire from receiver with a wire nut.
 - 2) Connect the black (hot) wire from outlet box to the black "AC in L" wire from receiver with a wire nut.
 - 3) Connect the ground wire from outlet box to the green ground wire from the downrod and the green ground wire from the mounting bracket with a wire nut.
 - 4) Secure each wire nut using electrical tape. Make sure all wire nuts are connected firmly.

Installation (continued)

5 Wiring the receiver to the household wiring and the fan (continued)



IMPORTANT: If after this step, you decide to check that the electrical connections have been successful, it is critical to attach the light kit using the quick connector prior to testing. The fan will not operate unless the light kit is connected to the fan.



IMPORTANT: After the connections have been made, the wires should be turned upward and pushed carefully up into the outlet box EXCEPT the antenna, which should remain outside the outlet box. Place the black and white wire connections on opposite sides of the outlet box.

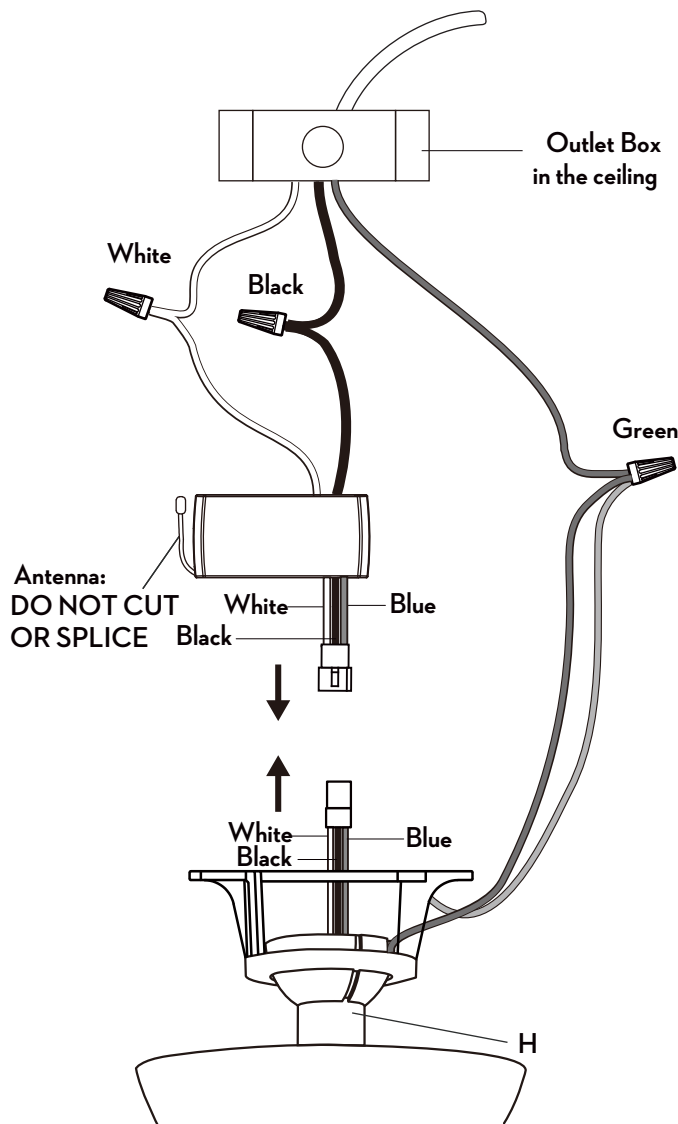


Figure 10

6 Finishing the installation



WARNING: When using the standard ball/downrod mounting, the tab in the ring at the bottom of the mounting bracket must rest in the groove of the hanger ball. Failure to properly seat the tab in the groove could cause damage to the wiring.



WARNING: The locking slots of ceiling canopy are provided only as an aid to mounting. Do not leave the fan assembly unattended until all four canopy screws are engaged and firmly tightened.

- Raise the canopy (B), ensuring that the two canopy screws and star washers are aligned with the L-shaped slots in the canopy (B). Then turn the canopy clockwise until the canopy screws are completely engaged in the L-shaped slots.
- Firmly tighten the two canopy screws.
- Install the two canopy screws and star washers (saved from Step 2 "Installing the fan body") into the holes in the canopy (B) and tighten firmly.
- Align the canopy ring (K) on top to cover the canopy screws. Lock in position by turning the canopy ring clockwise.

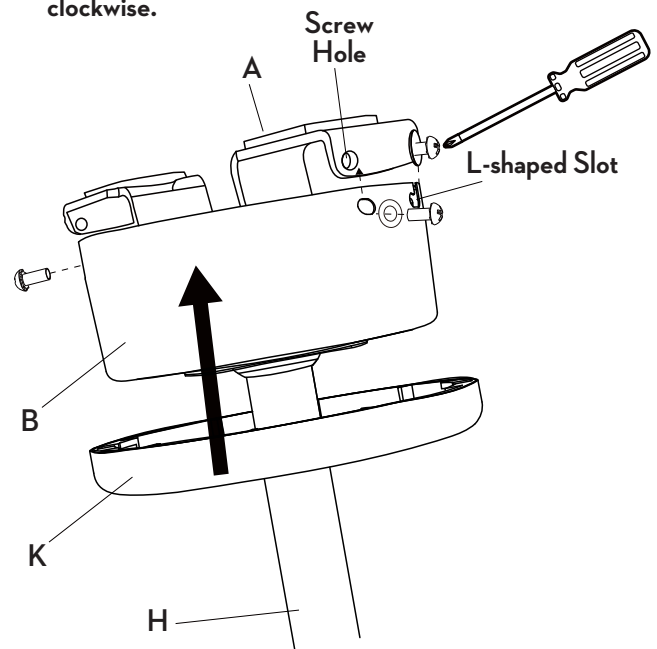



Figure 11

Installation (continued)

7 Attaching the fan blades

 **WARNING:** Failure to install the blade in correct direction could result in fan wobble or poor performance.

The fan blades are to be attached to the motor using the blade screws (CC). The procedure to attach the blades (E) is as follows:

- Align the 2 holes in the blade to the 2 holes at the bottom of the motor.
- Secure the blades to the motor using the blade screws with pre-installed flat washers and spring washers (CC) provided - 2 each per blade.
- Repeat for the remaining blades.

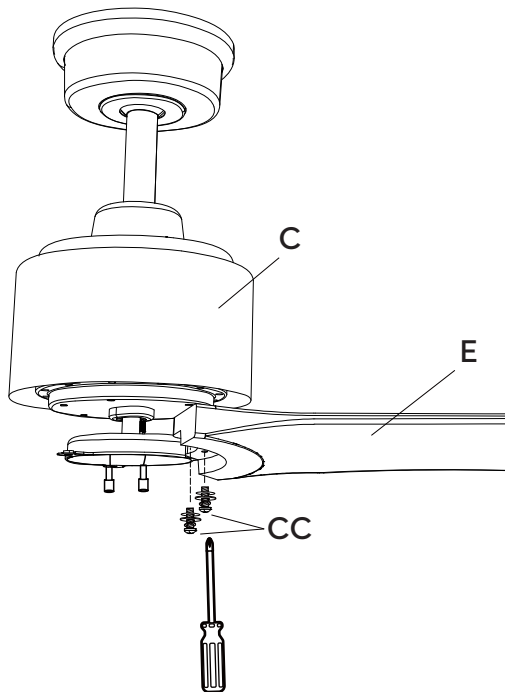


Figure 12

8 Installing the light kit

 **WARNING:** To reduce the risk of electric shock, disconnect the electrical supply circuit to the fan before installing light kit.

- Connect the blue wire from the fan to the blue wire from the light kit and the white wire from the fan to the white wire from the light kit by securely inserting the connectors together. (Figure 13)
- Carefully tuck all wires into the switch housing, and align the 3 holes on the light kit (I) to the three screws pre-installed in the switch housing. (Figure 13)
- Turn the light kit counter-clockwise until the 3 screws snap into place. Tighten all the screws.

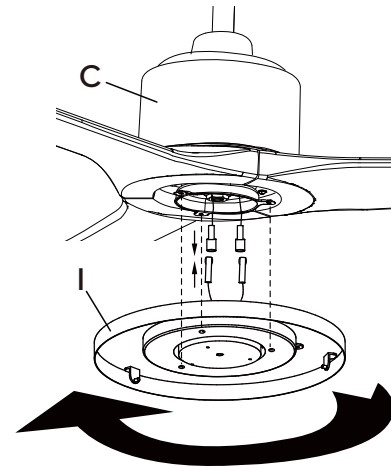


Figure 13

 **WARNING:** Allow the lamp shade to cool completely before removing.

- Install the lamp shade (F) onto the light kit (I) by gently twisting and locking into position. (Figure 14)

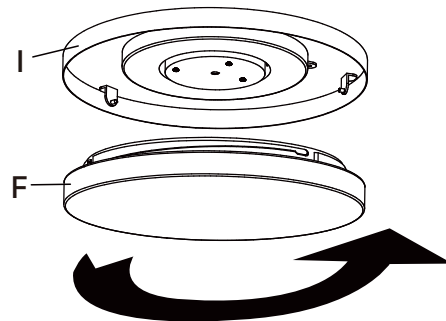


Figure 14

9 Balancing the blades

All blades are grouped by weight. Because natural wood varies in density, the fan may wobble even though the blades match in weight.

The following procedure should correct most fan wobble.

Check for wobble after each step.

- Check that all blade screws are secure.
- Most fan wobble problems are caused when blade levels are unequal. Check this level by measuring the distance from the tip of one blade to the ceiling as shown in Figure 15.
- Rotate the fan until the next blade is positioned in the same place as the previous blade and measure again. Repeat for each blade. Measurements should be within 1/8 in.
- If blade wobble is still noticeable, interchanging two adjacent (side by side) blades can redistribute the weight and possibly result in smoother operation.

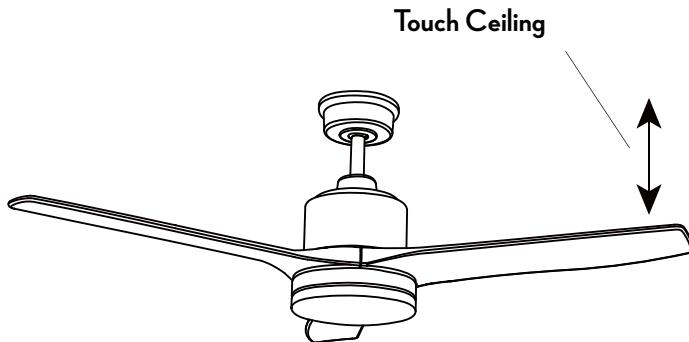


Figure 15

Operation

Operating



***NOTE:** Wait for the fan to stop before changing the setting of the reverse switch.

Your fan is equipped with a remote control to operate the fan speed and lights.

Speed settings for warm or cool weather depend on factors such as the room size, ceiling height, number of fans, and so on.

The reverse switch, located at the top of motor housing, controls direction: forward (switch left) or reverse (switch right).*

* Warm weather - (Forward) A downward air flow creates a cooling effect as shown in Figure 16. This allows you to set your air conditioner on a higher setting without affecting your comfort.

* Cool weather - (Reverse) An upward air flow moves warm air off the ceiling area as shown in Figure 17. This allows you to set your heating unit on a lower setting without affecting your comfort.

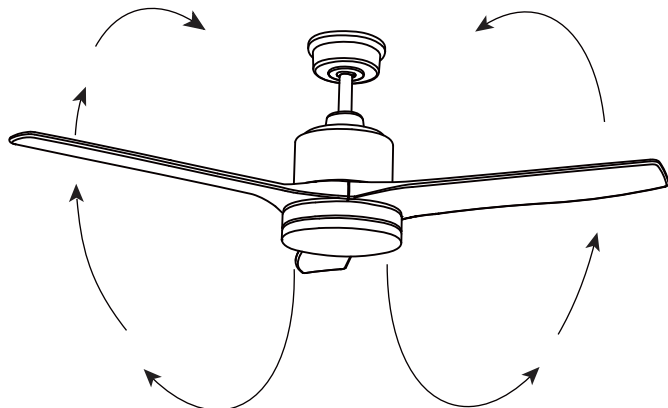


Figure 16

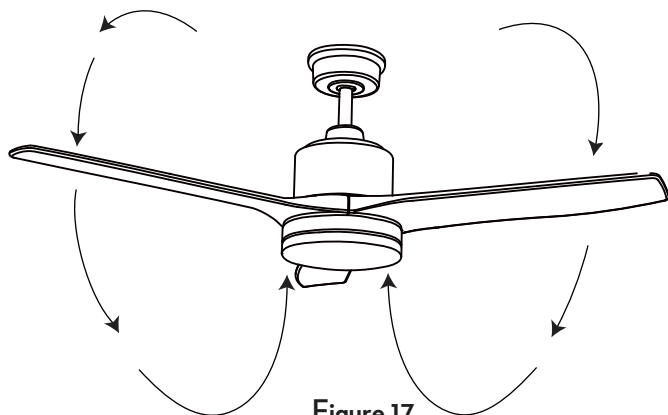


Figure 17

Operation (continued)

Using the remote control



NOTE: Follow the instruction manual of the remote control to change the transmitter code of this fan's remote control and receiver if you have interference with other fans or appliances.



NOTE: The battery will weaken with age and should be replaced before leaking takes place as this will damage the hand unit. Dispose of used battery properly and keep the battery out of the reach of children.

- Remove the battery cover from the remote control (G). Install 2 AAA batteries (not included). Replace the battery cover. (Figure 18)

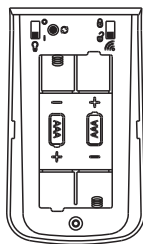


Figure 18

- Press the desired button on the remote control (G) to operate the fan:

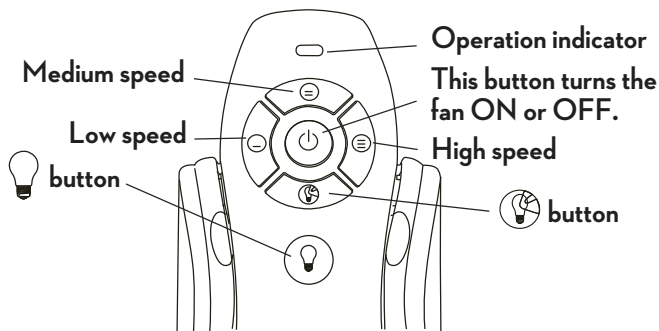




Figure 19

-  button: This button controls the light and brightness settings. Press and release the button to turn the light ON or OFF. Press and hold the button to set the desired brightness: the light will slowly illuminate from maximum to minimum light output and then stop when holding the button. Release the button and hold it again until it reaches minimal illumination where it will automatically stop again. The light button has an auto-resume, it will stay at the same brightness as the last time it was turned off. You can also press this button to cycle through the on/off to select the three color temperature options 3000K (Warm White), 4000K (Natural White) and 5000K (Daylight). The sequence is ON (Warm White), OFF, ON (Natural White), OFF, ON (Daylight), OFF.
-  button: This button delays the light turning off for approximately 5 seconds, enabling you to exit your room before the light turns completely off.

Installing the remote control holder

- Attach the remote control holder (J) with the two remote control holder mounting screws (DD).

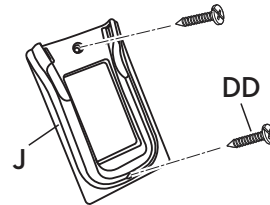


Figure 20

Care and Cleaning



WARNING: Make sure the power is off at the electrical panel box before you attempt any repairs.

Here are some suggestions to help you maintain your fan.

- Because of the fan's natural movement, some connections may become loose. Check the support connections, brackets, and blade attachments twice a year. Make sure they are secure. (It is not necessary to remove the fan from the ceiling.)
- Clean your fan periodically to help maintain its new appearance over the years. Use only a soft brush or lint-free cloth to avoid scratching the finish. The plating is sealed with a lacquer to minimize discoloration or tarnishing. Do not use water when cleaning. This could damage the motor, or the wood, or possibly cause an electrical shock.
- You can apply a light coat of furniture polish to the wood blades for additional protection and enhanced beauty. Cover small scratches with a light application of shoe polish.
- There is no need to oil your fan. The motor has permanently lubricated bearings.

Troubleshooting



WARNING: Make sure the power is off at the electrical panel box before you attempt any repairs.

Problem	Solution
The fan will not start.	<ul style="list-style-type: none">□ Check circuit fuses or breakers.□ Check the line wire connections to the fan and switch wire connections in the switch housing.
The fan sounds noisy.	<ul style="list-style-type: none">□ Make sure all motor housing screws are snug.□ Make sure the screws that attach the fan blade bracket to the motor hub are tight.□ Make sure wire nut connections are not rubbing against each other or the interior wall of the switch housing.□ Allow a 24-hour "breaking-in" period. Most noises associated with a new fan disappear during this time.□ Some fan motors are sensitive to signals from solid-state variable speed controls. If you have installed this type of control, choose and install another type of control.□ Make sure the motor housing is a short distance from the ceiling. It should not touch the ceiling.
Excessive Wobbling.	<ul style="list-style-type: none">□ Make sure that screws which attach fan blade holders to motor are fastened and tightened.□ Tighten screws of fan blade to blade holder securely.□ Ensure that canopy and mounting bracket are tightened securely to ceiling joist.□ Check by selecting a point on the ceiling above the tip of one of the blades. Measure this distance and ensure all blades are even (see Fig. 15).
Light does not work.	<ul style="list-style-type: none">□ Ensure wire connector in switch housing is connected.

Technical Support

If you need any assistance with setup, operation, or parts for your new GOOD HOUSEKEEPING Ceiling Fan, please call us. Our technical support staff is ready to help! We are open 24 hours, 7 days a week.

USA: 1-888-880-3267 (FANS)

You may also reach us online at OceanAireHomeGoodsCompany.com

An electronic copy of this user manual can also be obtained online at OceanAireHomeGoodsCompany.com

Retain this manual for future use.

GOOD HOUSEKEEPING

GOOD HOUSEKEEPING IS A TRADEMARK OF HEARST COMMUNICATIONS, INC.
© 2022 HEARST COMMUNICATIONS, INC. ALL RIGHTS RESERVED.

RETAIN THIS MANUAL FOR FUTURE USE.