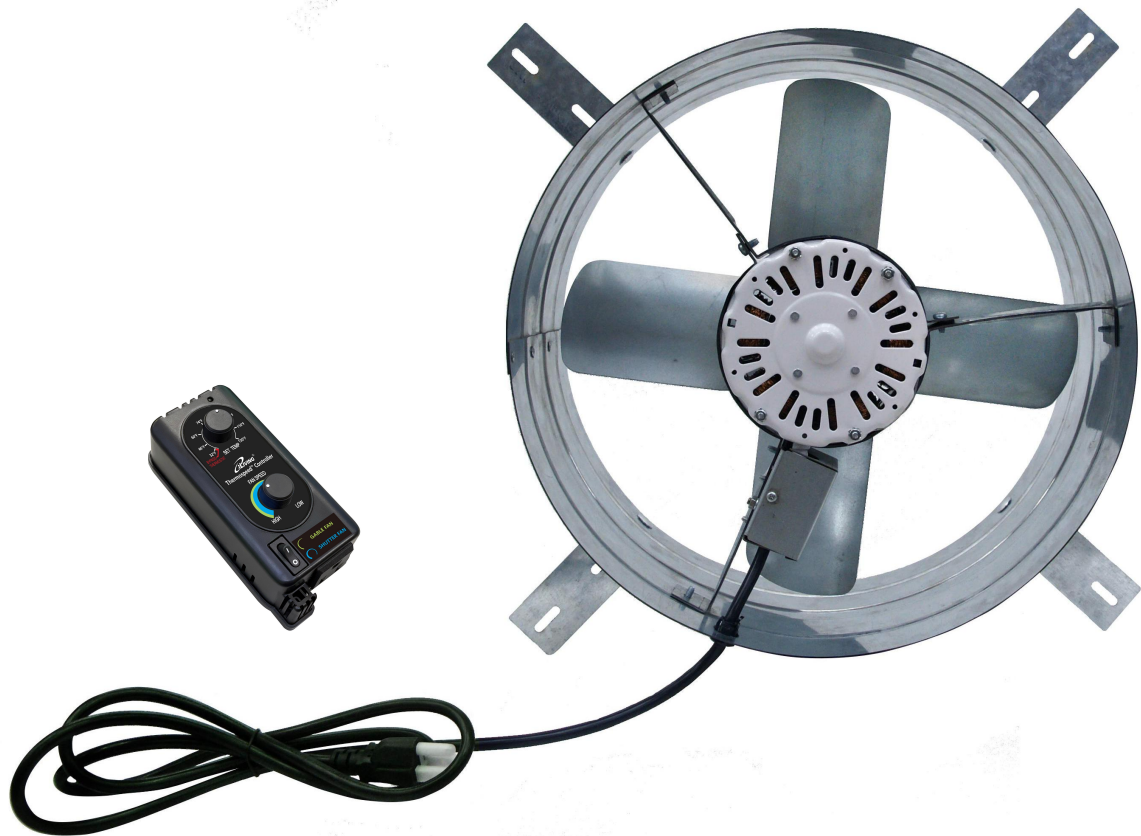




Variable Speed Attic Gable Fan

MODEL : ILG8G14-22ST (Fan + Thermospeed Controller)

MODEL : ILG8G14-22 (Attic Gable Fan Only)



Owner's Manual



**PLEASE READ AND
SAVE THESE INSTRUCTIONS**

TABLE OF CONTENTS

Important Instructions.....	3-4
Specifications.....	5-6
Installing Instructions.....	7-9
Operating Instructions.....	9
Maintenance and Cleaning.....	10
Troubleshooting.....	10

IMPORTANT INSTRUCTIONS

CAUTION: Please read and save these instructions. Read carefully before attempting to assemble, install, operate or maintain the product described. Do not use the fan if any part is damaged or missing.

Protect yourself and others by observing all safety information. Failure to comply with instructions could result in personal injury and/or property damage!

Retain instructions for future reference.

WARNING: To reduce the risk of electric shock, do not expose the fan to water or rain.

WARNING: This fan has an unguarded fan blade. Do not use in locations which are readily accessible to children or animals. Do not let children play in an attic where this fan has been installed. Contact with this fan while in operation can result in injury or even death.

General Safety Information

NOTE: To comply with UL507, air circulator is not to be used in unattended areas.

1. Ensure that the power source conforms to the electrical requirements of the fan.
2. Use this unit only in the manner intended by the manufacturer. If you have questions, contact the manufacturer at the address or telephone number listed in the warranty.
3. Before servicing or cleaning unit, switch power off at service panel and lock the service disconnecting means to prevent power from being switched on accidentally. When the service disconnecting means cannot be locked, securely fasten a prominent warning device, such as a tag to the service panel.
4. Installation work and electrical connection must be done by a qualified person in accordance with appliance codes and standards, including fire-rated construction codes and standards.
5. Sufficient air is needed for proper combustion and exhausting of gases through the flue (chimney) of fuel burning equipment to prevent excessive low pressure and to prevent back drafting. Follow the heating equipment to guidelines and safety standards such as those published by the National Fire Protection Association (NFPA), and the American Society for Heating, Refrigeration and Air Conditioning Engineers (ASHRAE), and the local code authorities.
6. When cutting or drilling into wall or ceiling, do not damage electrical wiring and other hidden utilities.
7. The fan should be mounted behind louvers or in a location where the entrance of drawn in water is unlikely.
8. For general ventilating use only. Do not use to exhaust hazardous or explosive materials or vapors.
9. To avoid motor bearing damage and noisy and/or unbalanced impellers, keep drywall spray, construction dust, etc. off power unit.
10. Attach louvers or grilles when installing the fan.

11. Ensure that the power source conforms to the electrical requirements of the fan.
12. Fan is intended for general air circulation ONLY. It must NOT be used in potentially dangerous locations such as flammable, explosive, chemical-laden, or wet atmospheres. Keep a suitable distance from the louver when installed, since rain may create an electrical hazard.

Do not attach ductwork to the fan.

13. Fan motor is equipped with an automatically resetting thermal protector that will disconnect power if the motor overheats. Always disconnect power before inspection or cleaning, as motor may restart unexpectedly.

WARNING: Do not insert fingers or foreign objects into the fan. Do not block or tamper with the fan in any manner while it is in operation.

WARNING: Do not touch motor as it may be hot enough to cause injury.

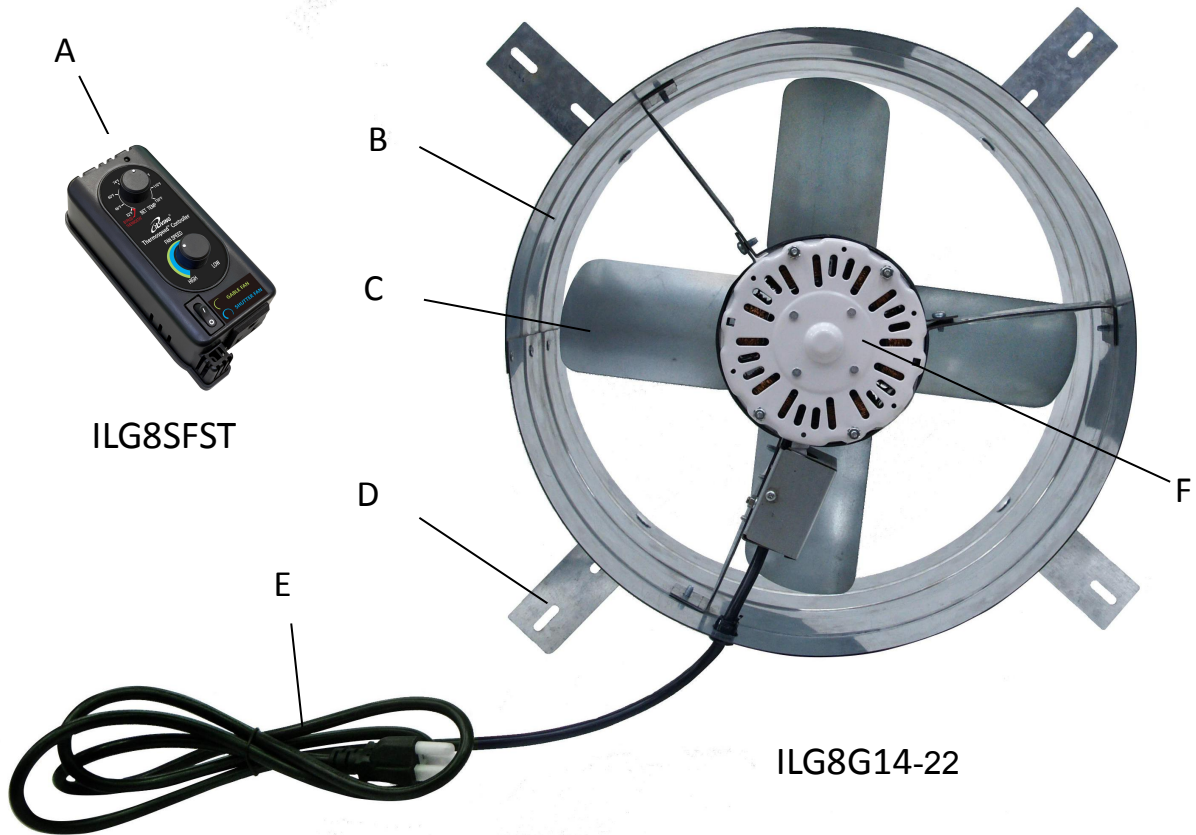
WARNING: Unplug prior to servicing unit.

CAUTION: Do not use with extension cord.

SAVE THESE INSTRUCTIONS

SPECIFICATION

MODEL: ILG8G14-22ST

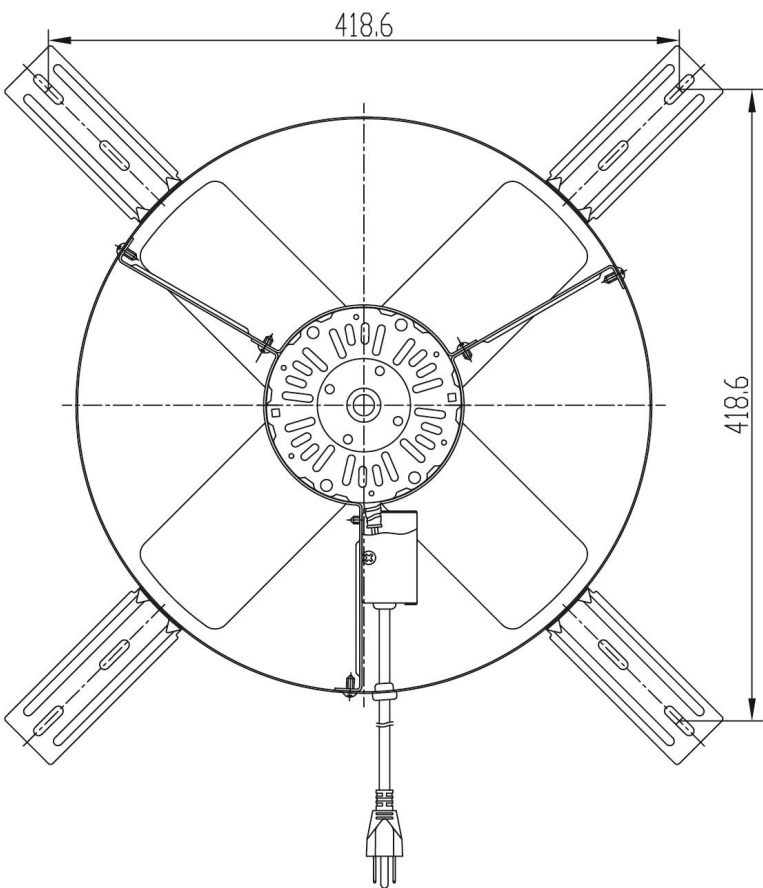
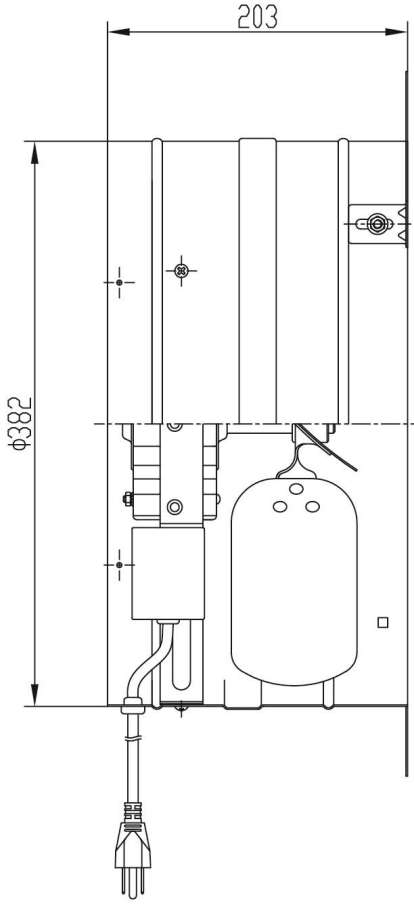
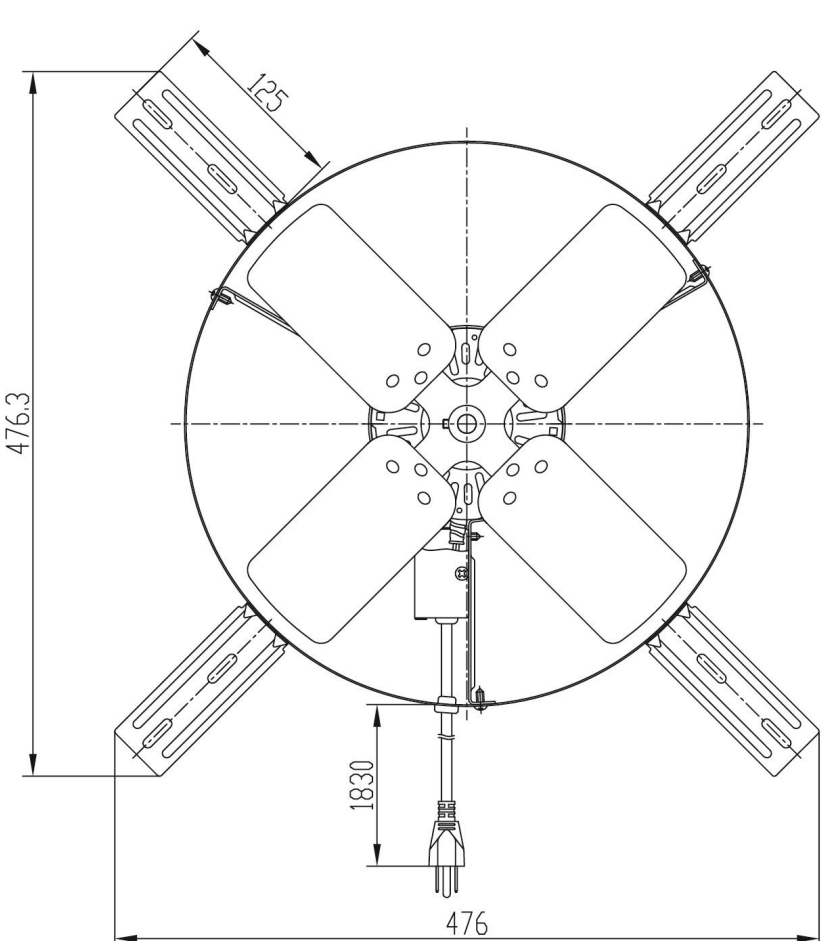


- A: Thermospeed^(TM) Controller **(Included in ILG8G14-22ST ONLY)**
 Green color control range for Gable Fan
 Blue color control range for Shutter Fan
- B: GALVANIZED STEEL DRUM HOUSING
- C: PROPELLER
- D: MOUNTING BRACKET
- E: POWER CORD
- F: MOTOR

Product Specifications

Voltage	120V, 60Hz	Airflow (CFM)	2339
Current	2.85A	Recommend Sq. Ft	3400
Power	230 Watts	Noise Level	<60 (dB)
RPM	1010		

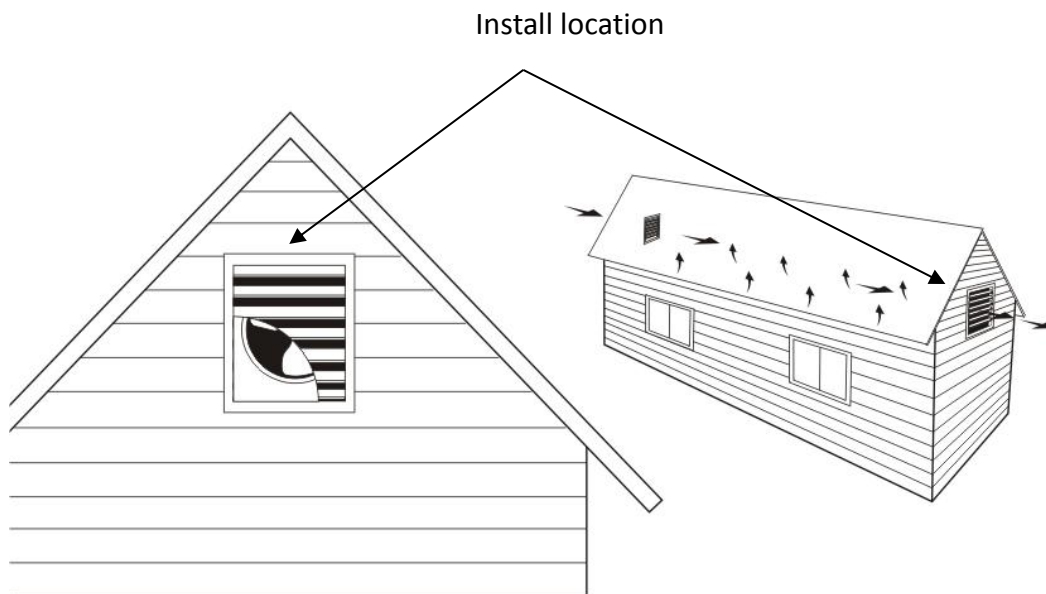
Dimensions (mm)



INSTALLATION INSTRUCTION

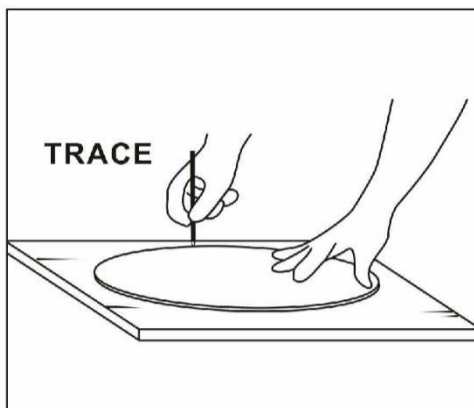
WARNING: Turn off the wall switch prior to servicing the unit. To avoid personal injury, wall switch must be turned off before servicing since the built-in thermal protection may turn on the circulator automatically.

1. A gable mount ventilator is intended to be mounted in a gable wall. If your existing gable vent is large enough, just mount the fan directly behind it. If the gable vent is not big enough, you may need to enlarge the opening a little to accommodate a slightly larger louver or automatic shutter when needed.

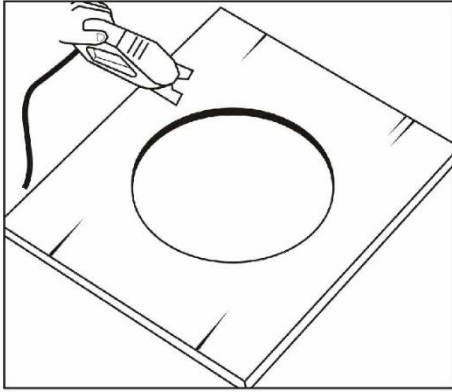


2. Cut a piece of plywood to a size that will accommodate the attic framing that surrounds the vent hole.

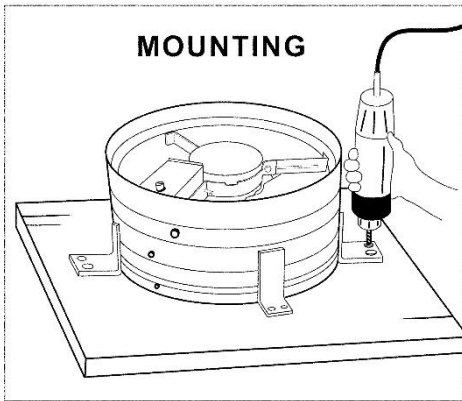
3. Cut the circle from the carton and position the cardboard template on the plywood so the finished hole will be centered over the vent hole when the plywood is secured to the wall. Trace around the template with a pencil.



4. Use a sabre saw to cut out the airway on the plywood for mounting the gable mount ventilator.



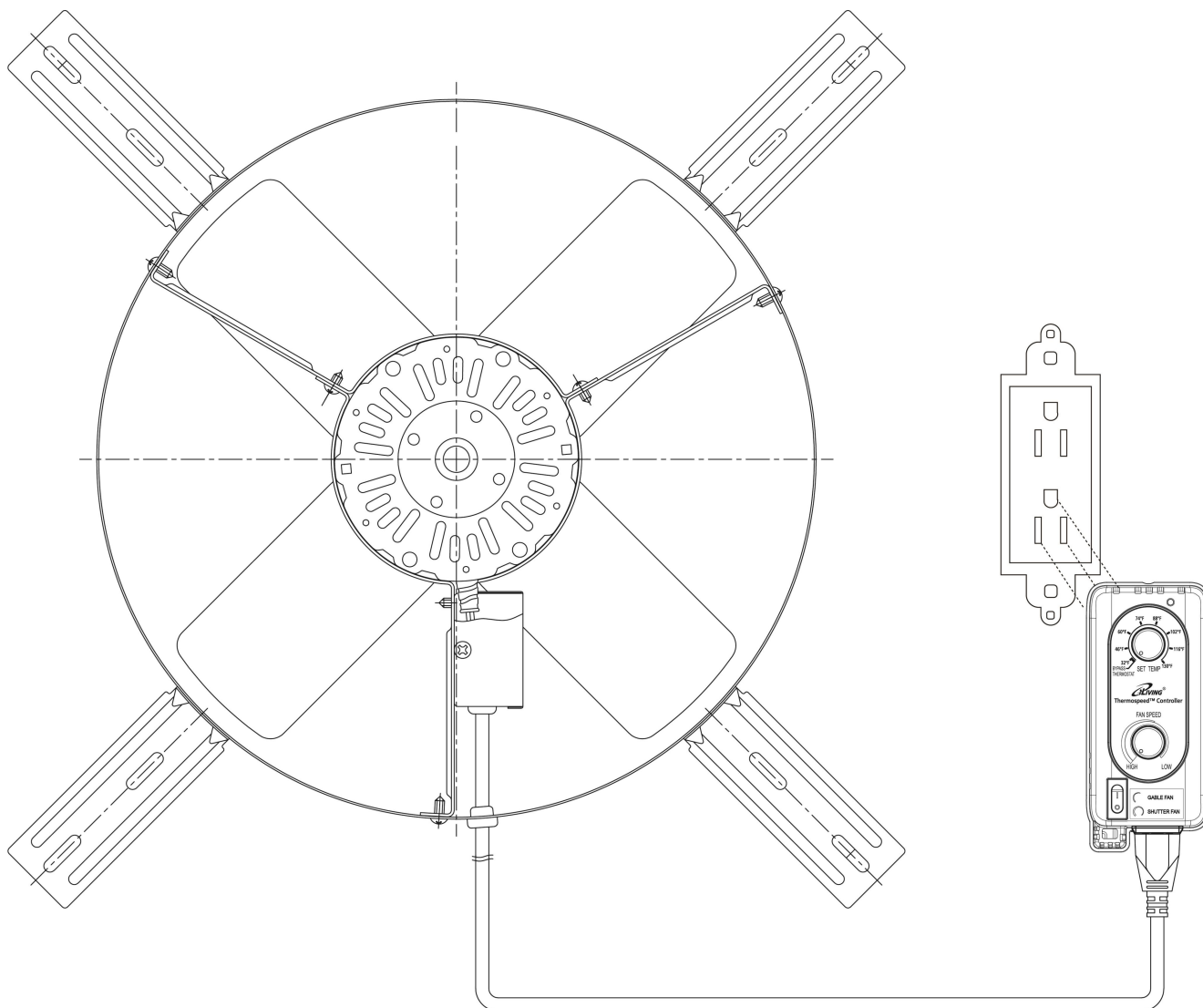
5. Place the fan mounting bracket on the plywood, center the fan over the opening and fix the bracket to the plywood with screws which no smaller than \varnothing 6mm or 1/4" .



6. Carry the Gable mount Ventilator and plywood assembly into the attic, position it behind the shutter and screw it to the gable framing.

7. Connect power to the motor using an approved wiring method. Refer to the following wiring diagram.

Installation Diagram



OPERATION INSTRUCTION

Please set the Thermospeed Controller to a desired condition before operating.
To avoid the possibility of overturning the fan, operate on a stable, level surface. Do not move fan while it is in operation.

MAINTENANCE AND CLEANING

WARNING: Parts replacement and troubleshooting to be performed only by qualified personnel.

WARNING: Turn off the wall switch before servicing or cleaning.

CAUTION: There is no user maintenance part except regular cleaning as indicated below. All other servicing or maintenance should be performed by qualified service personnel.

To clean the fan, use a soft damp cloth. Wipe down with a dry cloth. Do not use cleaners that are harmful to paints or plastics.

CAUTION: Do not use gasoline, benzene, thinner, harsh cleaners, etc., which are dangerous and will damage the air circulator.

The propeller, guard, and motor should be cleaned periodically to prevent overheating, and/or operating in an imbalanced condition.

CAUTION: Do not repair propeller if it becomes damaged. The propeller is accurately balanced at the factory and should be replaced if damaged.

Do not bend the blades.

Motor is permanently lubricated.

TROUBLESHOOTING

If your fan fails to operate, please follow these Instructions:

1. Make sure the fan is well connected and the electrical line-in is working properly.
2. Check for any obstruction. If you find any object, turn the fan "OFF". Disconnect the fan and carefully remove the object.

Reconnect the fan and turn it on again and see if it resumes normal operation.

NOTE: IF YOU EXPERIENCE A PROBLEM WITH YOUR FAN, PLEASE DO NOT ATTEMPT TO OPEN OR REPAIR THE FAN YOURSELF. DOING SO COULD CAUSE DAMAGE OR PERSONAL INJURY. Always consult an authorized dealer or certified electrician for further action.

Warranty Information

This product comes with a 1-YEAR LIMITED COMPONENT WARRANTY. If your unit does not appear to be working properly, please contact our service center by calling 1-800-317-1688. Prior to your call, we encourage you to visit our service related website www.ilivingusa.com for troubleshooting tips and service instructions if needed.

Register your product at our website:



Or visit iLivingUSA.com/register-product

Feedback

Love it? Help us make the product more for you.



Let us know with a customer review.

Please visit: <https://www.amazon.com/review/review-your-purchases#>

At iLiving USA, we are committed to bringing top quality products to our customers.

iLIVING USA
860 Mahler Road,
Burlingame, CA 94010
Tel: 1-800-317-1688
Email: service@ilivingusa.com