



**30" Air Circulator
With Pedestal Base**



MODEL: ILG8P30-72

120VAC 60Hz 1.91A, 220W

Owner's Manual

**PLEASE READ AND
SAVE THESE INSTRUCTIONS**

TABLE OF CONTENTS

Important Instructions.....	3
Specifications.....	5
Installing Instructions.....	6
Operating Instructions.....	8
Maintenance and Cleaning.....	8
Troubleshooting.....	9

IMPORTANT INSTRUCTIONS

CAUTION: Please read and save these instructions. Read carefully before attempting to assemble, install, operate or maintain the product described. Do not use the fan if any part is damaged or missing.

Protect yourself and others by observing all safety information. Failure to comply with instructions could result in personal injury and/or property damage!

Retain instructions for future reference.

WARNING: To reduce the risk of electric shock, do not expose the fan to water or rain. To reduce the risk of fire or electric shock, do not use this fan with any solid state speed control device. This appliance has a grounded plug. To reduce the risk of fire or electric shock, this plug is intended to fit in an outlet only one way. If the plug does not fit into the outlet, contact a qualified electrician. Do not attempt to bypass this safety feature.

General Safety Information

NOTE: To comply with UL507, air circulator is not to be used in unattended areas.

1. Ensure that the power source conforms to the electrical requirements of the fan.
2. Where a two-prong wall receptacle is encountered, it must be replaced with a properly grounded three prong receptacle installed in accordance with the United States National Electrical Code (NEC) and all applicable local codes and ordinances. This work must be done by a qualified electrician, using copper wire only.
3. Where possible, avoid the use of extension cords. If they must be used, minimize the risk of overheating by ensuring that they are UL Listed and of the proper gauge and length. Never use a single extension cord to operate more than one fan.
4. Do not kink the cord or allow it to contact oil, grease, chemicals, hot surfaces, or sharp or abrasive objects.
5. This fan is to be operated **ONLY** with its OSHA compliant guards in place to prevent persons and/or objects from contacting the revolving propeller. Any other use voids warranty and may create unsafe conditions.
6. Fan is intended for general air circulation **ONLY**. It must **NOT** be used in potentially dangerous locations such as flammable, explosive, chemical-laden, or wet atmospheres. Do not use fan in or near a window, since rain may create an electrical hazard. Do not attach ductwork to the fan.
7. Fan motor is equipped with an automatically resetting control circuit that will disconnect power if the motor overheats. Always unplug fan before removing guard, as motor may restart unexpectedly.

8. Do not operate any fan with a damaged cord or plug. Discard fan or return to an authorized service facility for examination and/or repair.
9. Do not run cord under carpeting. Do not cover cord with throw rugs, runners, or similar coverings. Do not route cord under furniture or appliances. Arrange cord away from traffic area and where it will not be tripped over.
10. Disconnect the fan when moving it from one location to another.
11. Make sure the fan is on a stable, flat surface while it is in operation.
12. Disconnect the fan when removing the guards for cleaning.

WARNING: Use of a three-prong to two-prong adapter is not recommended. Improper connection may create the risk of electrocution. Use of such adapters is prohibited in Canada.

WARNING: Do not depend on any switch as the sole means of disconnecting power when installing or servicing the fan. Failure to do so may result in fatal electrical shock.

WARNING: Do not insert fingers or foreign objects into the fan. Do not block or tamper with the fan in any manner while it is in operation.

WARNING: Do not touch motor. May be hot enough to cause injury.

WARNING: Unplug prior to servicing unit.

WARNING: To reduce the risk of fire or electric shock, do not use this fan with any speed control device.

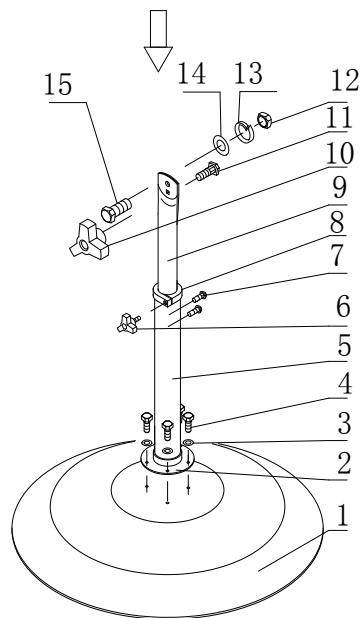
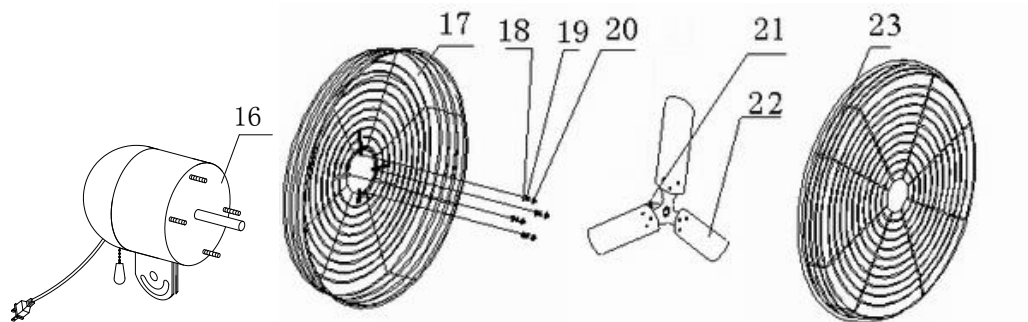
IMPORTANT: Surges in electrical power or excessive heat could cause the fan to automatically shut off. Should this occur, wait approximately 15 minutes for the fan to resume operation.

SAVE THESE INSTRUCTIONS

SPECIFICATION

MODEL: ILG8P30-72

120VAC 60Hz 1.91A, 220W



- | | | | |
|----|--------------------|----|-------------------|
| 1 | Base (1) | 14 | Washer (1) |
| 2 | Coupling (1) | 15 | Pivot Screw (1) |
| 3 | Washer (5) | 16 | Motor (1) |
| 4 | Screw (5) | 17 | Rear Guard (1) |
| 5 | Outer Tube (1) | 18 | Washer (4) |
| 6 | Set Knob (1) | 19 | Spring Washer (4) |
| 7 | Set Screw (2) | 20 | Nut (4) |
| 8 | Connector (1) | 21 | Set Screw (1) |
| 9 | Inner Tube (1) | 22 | Blade (1 set) |
| 10 | Position Knob (1) | 23 | Front guard (1) |
| 11 | Position Screw (1) | | |
| 12 | Position Nut (1) | | |
| 13 | Spring Washer (1) | | |

***All the screws are installed on the parts.**

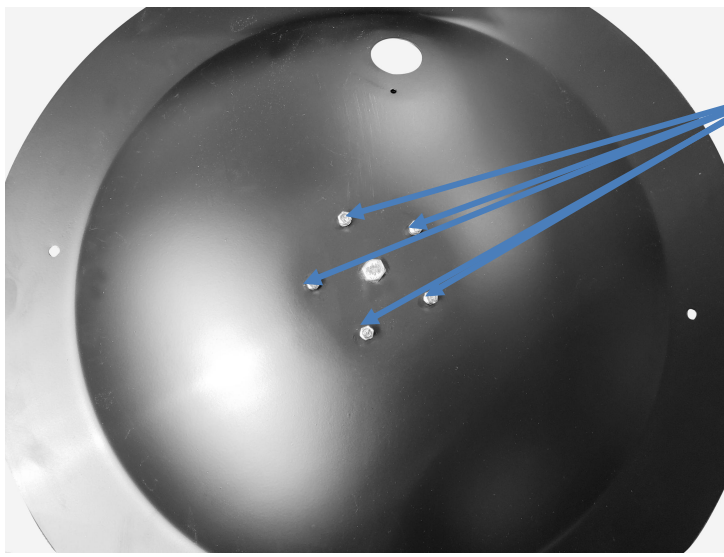
INSTALLATION INSTRUCTION

PRE-INSTALLATION:

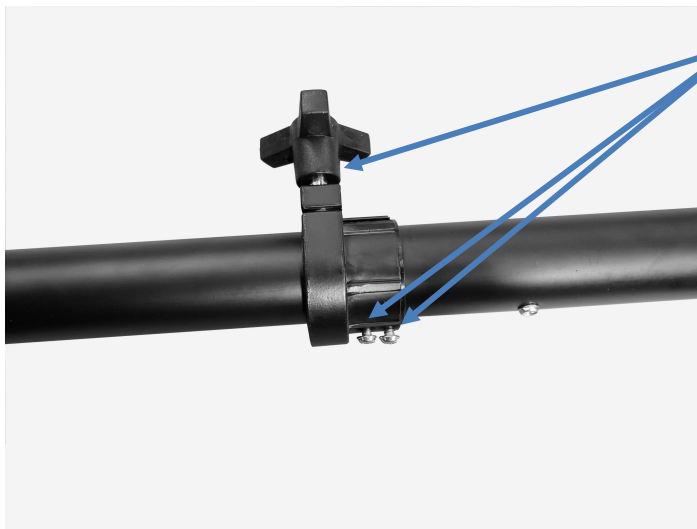
All necessary screws are installed in the associate part for ease of tracking for customer. Please use the following pictures as guide to locate installation parts.



Remove the screw and knob for installation



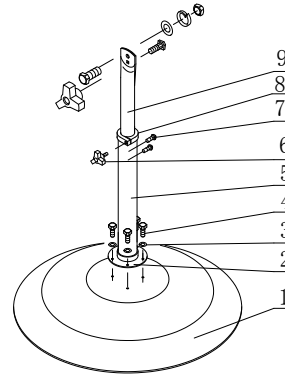
Remove screws for installation



Remove screws and knob installation

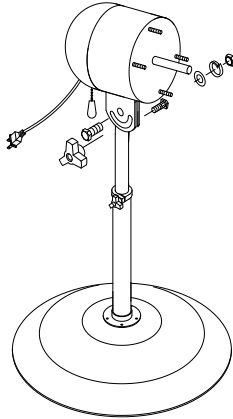
COLUMN ASSEMBLY INSTRUCTIONS:

1. Attach the coupling (2) to the base (1) with the screws (4), as shown.
2. Loosen the set knob (6) from the outer tube connector (8), extend the inner tube (9) to the desired height, and tighten it.



CAUTION: Tighten the set knob (6) fully before attaching the motor (16) to the inner tube (9).

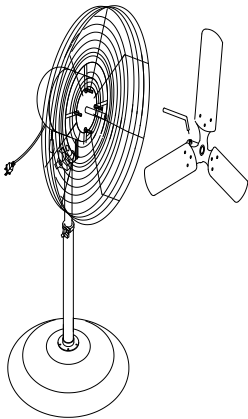
COLUMN/MOTOR ASSEMBLY INSTRUCTIONS:



1. Align the motor flange and column.
2. Insert the pivot screw (15) through the motor flange, column and washer. Attach using the position nut (12) and tighten it.
3. Insert the smaller position screw (11) through the bottom radius. Attach it with the position knob (11).

GRILLE/MOTOR ASSEMBLY INSTRUCTIONS:

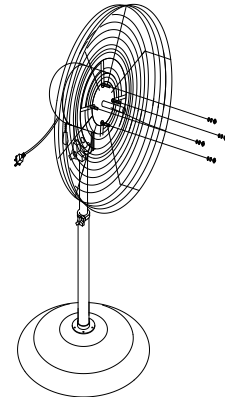
1. Unscrew the nuts and washers (18, 19, 20) from the motor (16).
2. Arrange the rear guard (17) in its proper position.



3. Attach the rear guard by inserting and tightening the nuts to the motor (through the eyelets on the guard).
4. Insert the blade (22) into the motor shaft until it reaches a stopping point and the set screw (21) is in line with the flat groove on the motor shaft.

NOTE: Make sure the blade's set screw is facing the motor. You may need to loosen the set screw at the rear of the blade to slide it onto the shaft.

5. Firmly tighten the blade's set screw with the spanner (not supplied).



CAUTION: Do not alter the angle of the blades.

6. Turn the clips on the front guard (23) outward.
7. **Hang front grill (23) on top rib of rear grill (17) by utilizing the "U" shaped fixed clip at top of front grill rim.**
8. Press down the clip around the front grill to secure.

OPERATION INSTRUCTION

TO ADJUST AIRFLOW UPWARD OR DOWNWARD: Loosen the position knob (10) first and then loosen the pivot screw (15). Tilt the motor (16) to the desired angle and then firmly tighten the pivot screw first and then the position knob.

SPEED CONTROL: Pull the chain to **LOW, MEDIUM** or **HIGH** to set to the desired speed.

MAINTENANCE AND CLEANING

WARNING: Parts replacement and troubleshooting to be performed only by qualified personnel.

WARNING: Do not depend on any switch as the sole means of disconnecting power when installing or servicing the fan. Failure to do so may result in fatal electrical shock.

WARNING: Unplug the fan from the wall outlet before servicing or cleaning.

CAUTION: There is no user maintenance part except regular cleaning as following description. All other servicing or maintenance should be performed by qualified service personnel.

To clean the fan, use a soft damp cloth. Wipe down with a dry cloth. Do not use cleaners that are harmful to paints or plastics.

CAUTION: Do not use gasoline, benzene, thinner, harsh cleaners, etc., which are dangerous and will damage the air circulator.

The propeller, guard, and motor should be cleaned periodically to prevent overheating, and/or operating in an imbalanced condition.

CAUTION: If cleaning requires the removal of a guard, remove only the front guard and re-install when finished in its originally installed position. Do not repair propeller if it becomes damaged. The propeller is accurately balanced at the factory and should be replaced if damaged.

Do not bend the blades.

Motor is permanently lubricated.

TROUBLE SHOOTING

If your fan fails to operate, please follow these Instructions:

1. Make sure the fan is plugged in and the electrical outlet is working properly.
2. Check for any obstruction. If you find an obstruction, turn the fan "OFF". Unplug the fan and carefully remove the obstruction.

Plug the fan in and turn it on again and see if it resumes normal.

NOTE: IF YOU EXPERIENCE A PROBLEM WITH YOUR FAN, PLEASE DO NOT ATTEMPT TO OPEN OR REPAIR THE FAN YOURSELF. DOING SO COULD CAUSE DAMAGE OR PERSONAL INJURY. Always consult the authorized dealer or certified electrician for further action.

Product Specifications

Model#: ILG8P30-72

Voltage: 120VAC 60Hz

Current: 1.91A

Power: 220W

Warranty Information

This product comes with a 1-YEAR LIMITED COMPONENT WARRANTY. If your unit does not appear to be working properly, please contact our service center by calling 1-800-317-1688. Prior to your call, we encourage you to visit our service related website www.ilivingusa.com for troubleshooting tips and service instructions if needed.

Register your product at our website:



Or visit iLivingUSA.com/register-product

Feedback

Love it? Help us make the product more for you.



Let us know with a customer review.

Please visit: <https://www.amazon.com/review/review-your-purchases#>

At iLiving USA, we are committed to bringing top quality products to our customers.

iLIVING USA
860 Mahler Road,
Burlingame, CA 94010
Tel: 1-800-317-1688
Email: service@ilivingusa.com