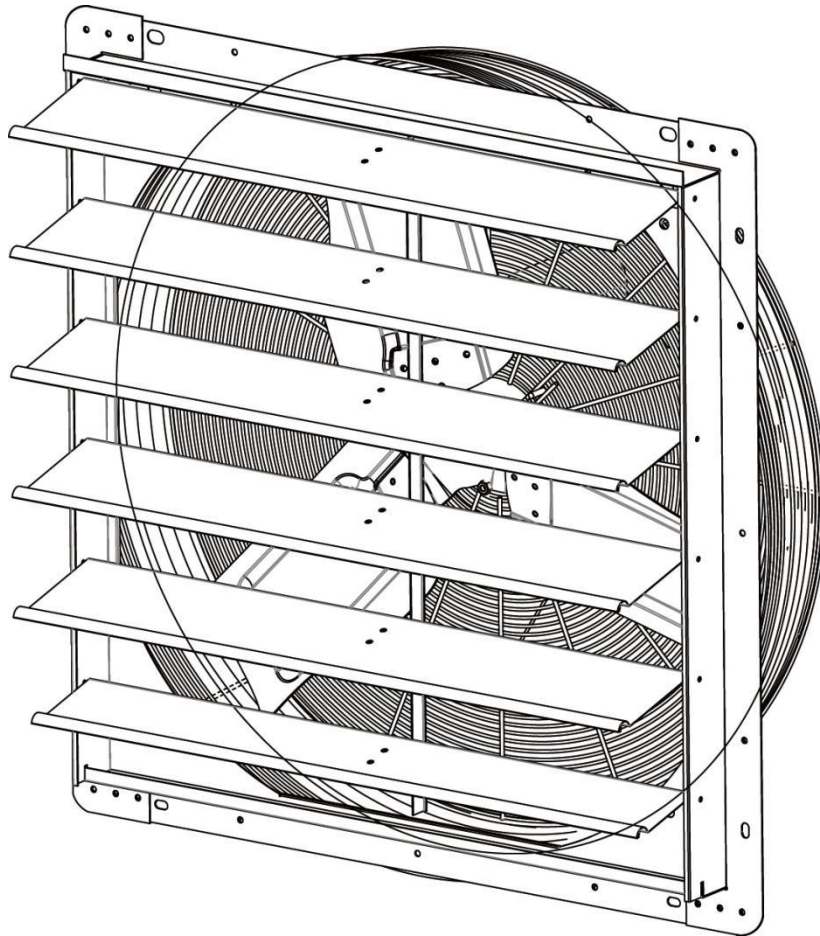




MULTI-SPEED SHUTTER MOUNTED EXHAUST FAN WITH THERMOSTAT



Models: ILG8SF10V-T/ILG8SF12V-T/ILG8SF14V-T/
ILG8SF16V-T/ILG8SF18V-T/ILG8SF20V-T/
ILG8SF24V-T/ILG8SF30V-T



OWNER'S MANUAL
PLEASE READ AND SAVE THESE
INSTRUCTIONS

PLEASE READ AND SAVE THESE INSTRUCTIONS. READ CAREFULLY BEFORE ATTEMPTING TO ASSEMBLE, INSTALL, OPERATE, OR MAINTAIN THE PRODUCT DESCRIBED. PROTECT YOURSELF AND OTHERS BY OBSERVING ALL SAFETY INFORMATION. FAILURE TO COMPLY WITH INSTRUCTIONS COULD RESULT IN PERSONAL INJURY AND/OR PROPERTY DAMAGE! RETAIN INSTRUCTIONS FOR FUTURE REFERENCE.

BEFORE YOU BEGIN

WARNING!

Installation, trouble shooting, and replacement of parts are to be performed only by authorized service technicians.

Electrical Requirements:

- The motor amperage and voltage ratings must be checked for compatibility to supply voltage prior to final electrical connection. Please refer to the motor's nameplate label.
- Wiring must conform to local, state, and national codes.

Tools / Materials Needed (Not Included) :

- Mounting Fasteners (8)
- Sealant or Caulk
- Regular Screwdriver Set

UNPACKING

Contents:

- Shutter Mounted Exhaust Fan
- Owner's Manual

Inspect:

- After unpacking fan, carefully inspect for any damage that may have occurred during transit. Check for loose, missing, or damaged parts.
- Check all bolts, screws, set-screws, etc. for looseness that may have occurred during transit. Tighten as needed. Rotate propeller by hand to ensure it turns freely.
- See Important Safety Instructions on page 3, and Cautions and Warnings as shown.

IMPORTANT SAFETY INSTRUCTIONS

Fans are UL/CUL Listed, Standard 507.

1. Do not depend on any switch as the sole means of disconnecting power when installing or servicing the fan.
2. Always disconnect, lock-out, and tag-out power source before installing or servicing. Failure to disconnect power source can result in fire, shock, or serious injury.
3. Motor will restart without warning after thermal protector trips. Do not touch operating motor; it may be hot enough to cause injury.
4. Do not place body parts or objects in fan or motor openings while motor is connected to the power source.
5. All electrical connections should be made by a qualified electrician.
6. CAUTION - For General Ventilating Use Only. Do Not Use To Exhaust Hazardous Or Explosive Materials And Vapors.
7. Follow all local and state/provincial electrical and safety codes in the United States and Canada, as well as the National Electrical Code (NEC) and the Occupational Safety and Health Act (OSHA) in the United States, and the Canadian Electric Code (CEC) in Canada.
8. Always disconnect power source before working on or near a motor or its connected load.
9. Protect the power cable from coming in contact with sharp objects.
10. Do not kink or create tight bends in the power cable and never allow the cable to come in contact with oil, grease, hot surfaces, or chemicals.
11. Make certain that the power source conforms to the requirements of your specific exhaust fan model. The fan frame and motor must be electrically grounded to a suitable electrical ground, such as a grounded water pipe or ground wire system.
12. Do not operate any fan with a damaged cord or plug. Discard fan or return to an authorized service facility for examination and/or repair.
13. Do not cover cord with throw rugs, runners, or similar coverings. Do not route cord under furniture or appliances. Arrange cord away from traffic area and similar danger locations.
14. The discharge air is to be directed to the building exterior.
15. Questions? Please contact our service center by calling 1-650-952-2257.

Thermal Protection.

INSTALL IN INTERIOR WALL.

CAUTION - MOUNT WITH THE LOWEST MOVING PARTS AT LEAST 2.5 m (8.2 ft) ABOVE FLOOR OR GRADELEVEL.

CAUTION: HOT SURFACE. AVOID CONTACT.

WARNING - For indoor use only.

WARNING - To reduce the risk of electric shock, do not expose to water or rain.

WARNING - To Reduce The Risk Of Fire Or Electric Shock, Do Not Use This Fan With Any Solid-State Speed Control Device.

Suitable for commercial or industrial use only.

INSTALLATION INSTRUCTIONS

WARNING – TO REDUCE THE RISK OF FIRE, ELECTRIC SHOCK, OR INJURY TO PERSONS, OBSERVE THE FOLLOWING:

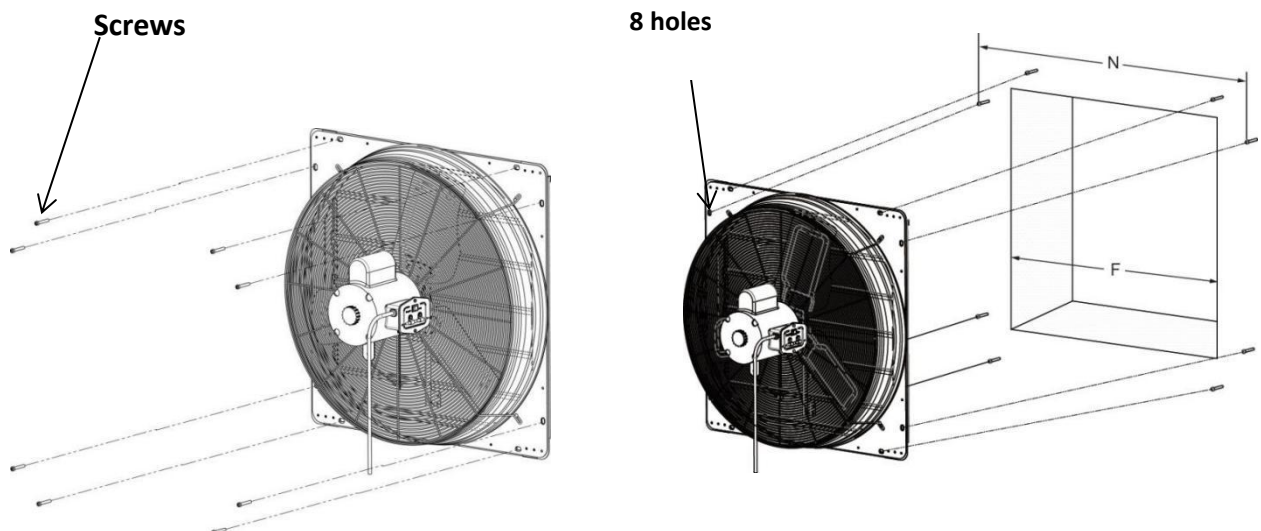
- a) Use this unit only in the manner intended by the manufacturer. If you have questions, contact the manufacturer.
- b) Before servicing or cleaning unit, switch power off at service panel and lock the service disconnecting means to prevent power from being switched on accidentally. When the service disconnecting means cannot be locked, securely fasten a prominent warning device, such as a tag, to the service panel.
- c) Installation work and electrical wiring must be done by qualified person(s) in accordance with all applicable codes and standards, including fire-rated construction.
- d) Sufficient air is needed for proper combustion and exhausting of gases through the flue (chimney) of fuel burning equipment to prevent back drafting. Follow the heating equipment manufacturer's guideline and safety standards such as those published by the National Fire Protection Association (NFPA), and the American Society for Heating, Refrigeration and Air Conditioning Engineers (ASHRAE), and the local code authorities.
- e) When cutting or drilling into wall or ceiling, do not damage electrical wiring and other hidden utilities.


1. The unit should be only securely mounted on the wooden plank.

NOTE: Allowing the fan frame to flex or move will result in excess vibrations, which may cause possible premature motor, propeller, or shutter failure.

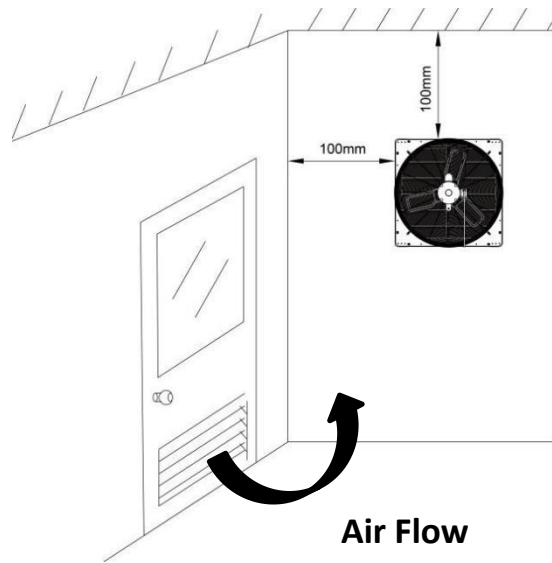
2. Install the shutter fan through 8 holes with screws. (**Screws are not included.**)

Install on wooden plank.




	Minimum Thickness	Fan Model	Screw Size	Screw Picture
Wooden Plank	10mm	All Models	3/16" x 1-1/4"	

3. Please ensure the space has a gap for enough air to get into the space. The fan installed on free space of at least 100mm above the upper edges of the corner.



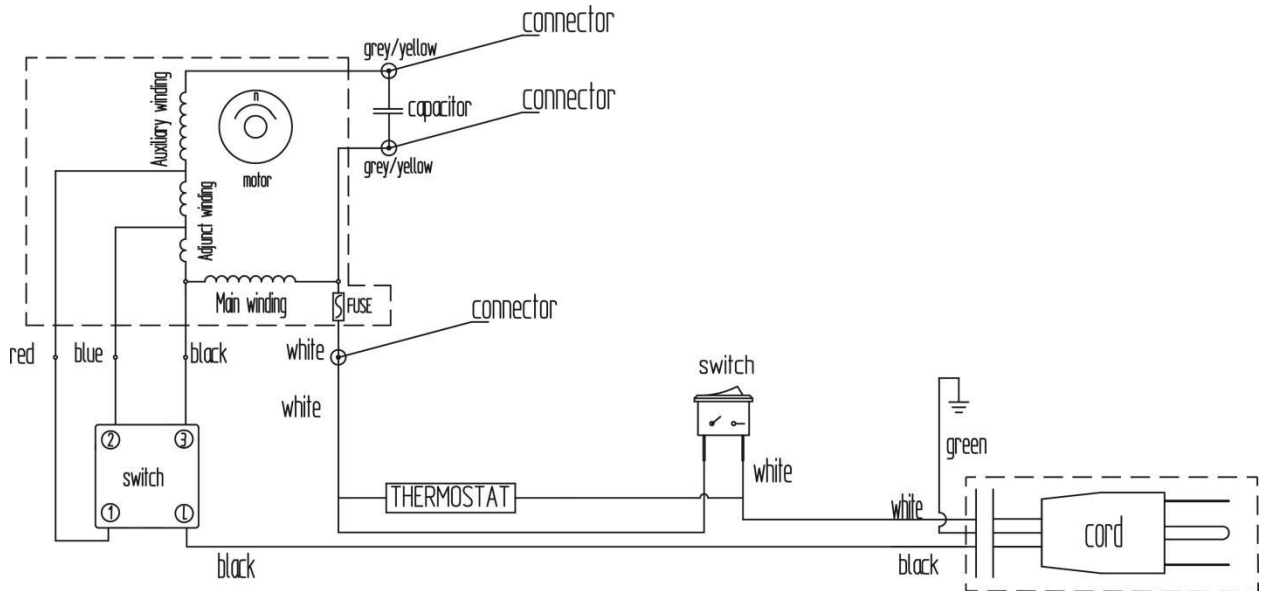
WARNING: This fan is recommended to be mounted by a qualified electrician.

 **Fan frame and motor must be securely and adequately grounded to a suitable electrical ground, such as a ground water pipe or ground wiring system.**

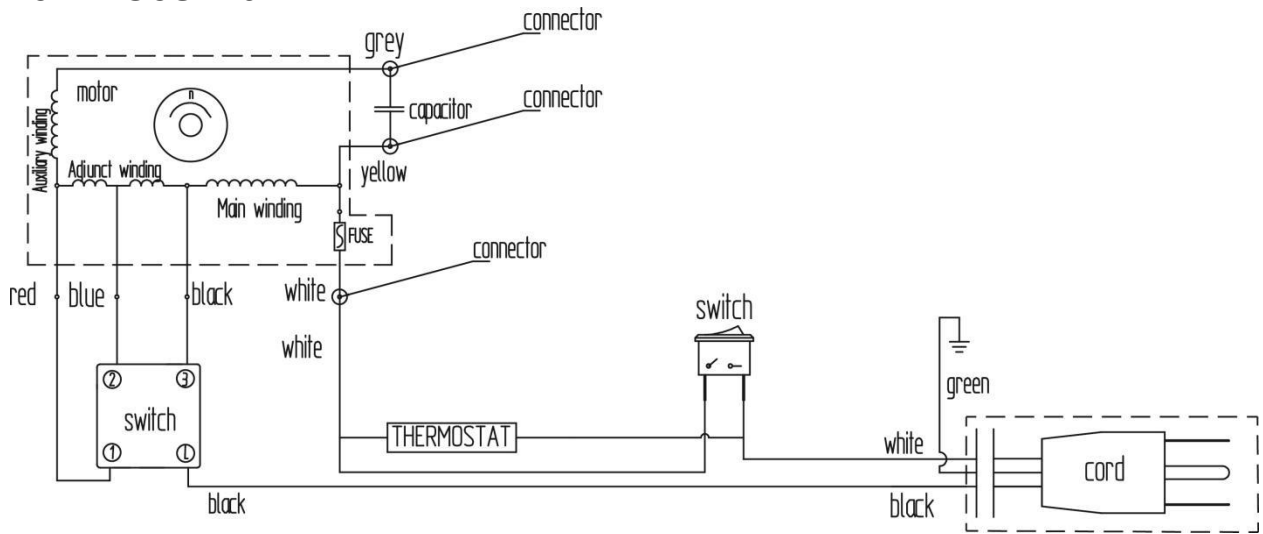
Wiring Diagram

Thermostat Temperature Range: 32°F~130°F (0°C~54°C)

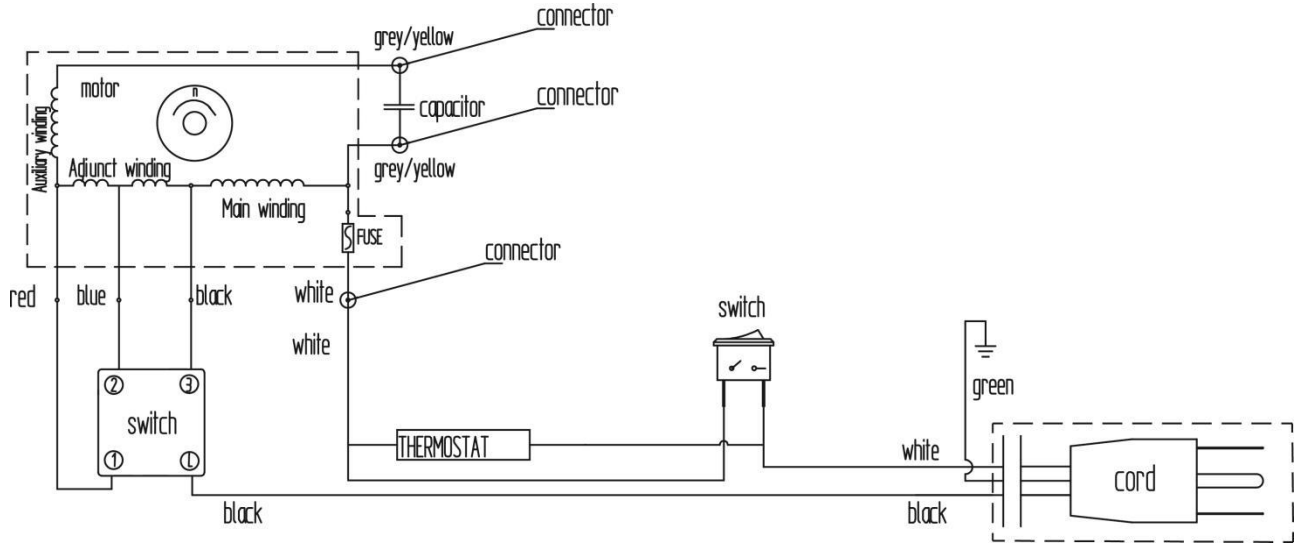
For ILG8SF10V-T/ILG8SF12V-T/ ILG8SF14V-T



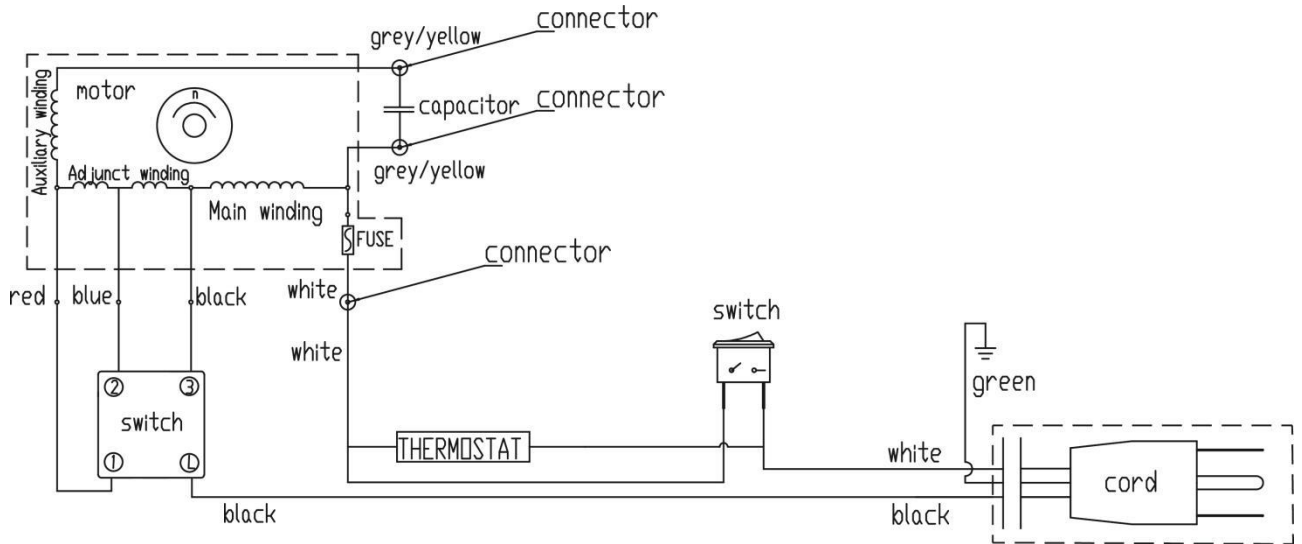
For ILG8SF16V-T



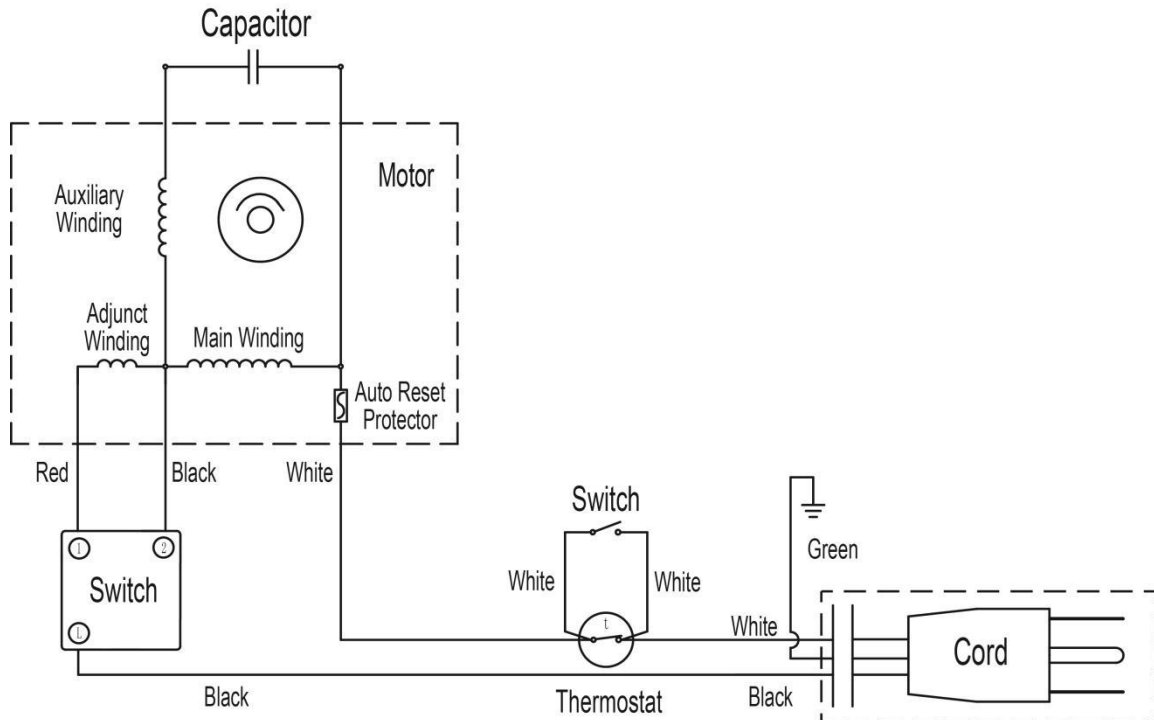
For ILG8SF18V-T



For ILG8SF20V-T/ ILG8SF24V-T

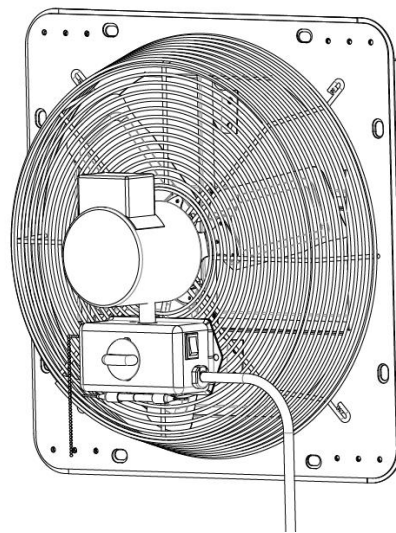
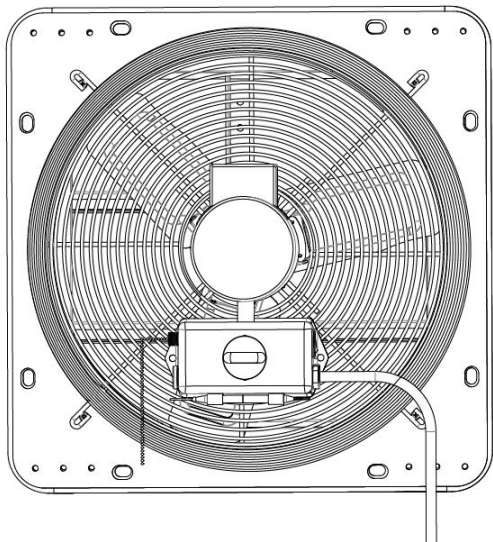
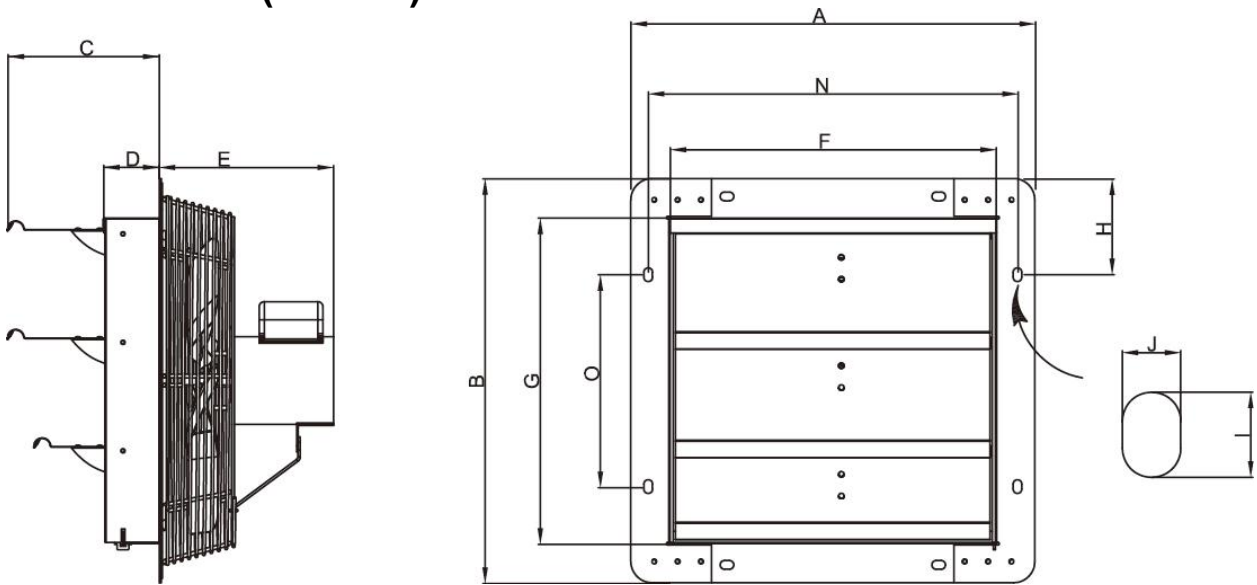


For ILG8SF30V-T

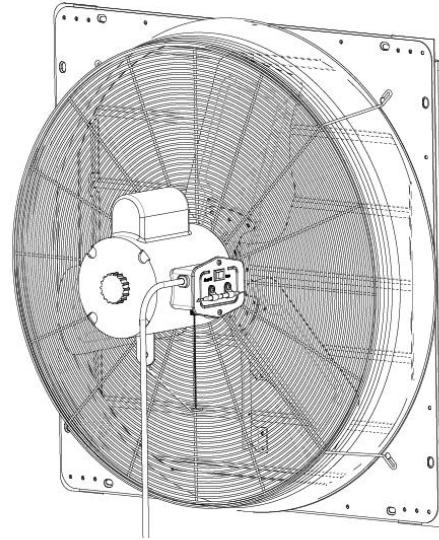
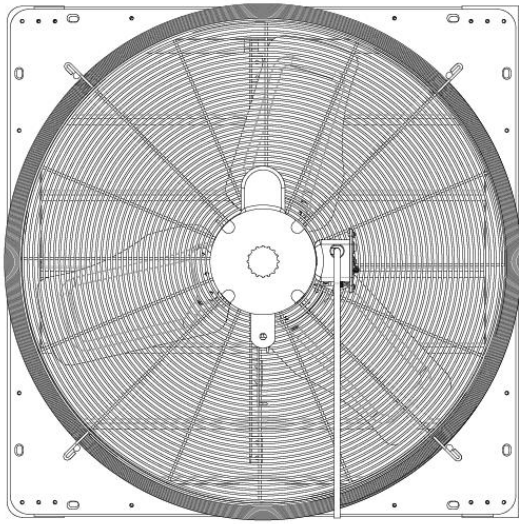


Power source	115V, 60Hz
Mounting Position	Vertical
Frame Material	Galvanized Steel
Shutter Blade Material	Aluminum Alloy
Propeller Material	Aluminum Alloy and Galvanized Steel
Agency Compliance	UL/CUL 507

Dimensions (Inches)



For ILG8SF10V-T/ ILG8SF12V-T/ ILG8SF14V-T



**For ILG8SF16V-T/ ILG8SF18V-T/ ILG8SF20V-T/ ILG8SF24V-T/
ILG8SF30V-T**

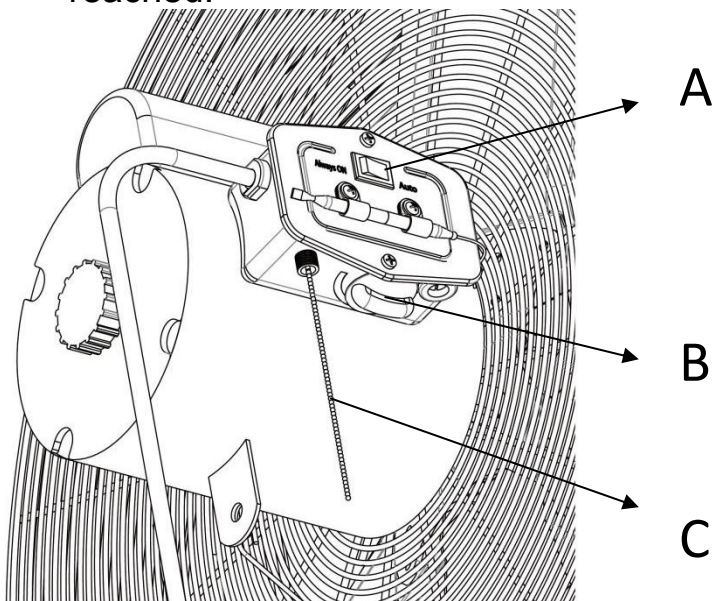
MODEL	Prop. Dia.	A	B	C	D	E	N	G	F	O	H	J	I	Suggested wall opening (Sq)
ILG8SF10V-T	10"	13"	13"	4 17/32"	2"	5 7/8"	11 21/32"	10 1/8"	10 1/8"	6"	3 17/32"	9/32"	1/2"	10 1/2"
ILG8SF12V-T	12"	15"	15"	5 3/4"	2"	6 5/32"	13 5/8"	12 1/8"	12 1/8"	8"	3 1/2"	9/32"	1/2"	13"
ILG8SF14V-T	14"	17"	17"	5 3/4"	2"	6 5/16"	15 14/16"	14 1/4"	14 1/4"	10 3/16"	3 17/32"	9/32"	1/2"	15"
ILG8SF16V-T	16"	18 29/32"	18 29/32"	5 3/4"	2"	7 7/8"	17 3/4"	16"	16"	11 29/32"	3 17/32"	9/32"	1/2"	17"
ILG8SF18V-T	18"	21"	21"	5 3/4"	2"	8 3/4"	19 11/16"	18"	18"	14"	3 17/32"	9/32"	1/2"	19"
ILG8SF20V-T	20"	23"	23"	5 3/4"	2"	11"	21 25/32"	20"	20"	16"	3 17/32"	9/32"	1/2"	21"
ILG8SF24V-T	24"	27"	27"	5 3/4"	2"	11"	25 21/32"	24 1/8"	24 1/8"	20 1/32"	3 17/32"	9/32"	1/2"	25"
ILG8SF30V-T	30"	33"	33"	5 3/4"	3"	13 3/32"	31 5/8"	30 1/8"	30 1/8"	26"	3 17/32"	9/32"	1/2"	31"

Performance

MODEL	Prop. Dia.	Nom. HP	Amps	RPM	Bearing Type	CFM
ILG8SF10V-T	10"	1/25	0.56	1520	Sleeve	600
ILG8SF12V-T	12"	1/20	0.60	1610	Sleeve	772
ILG8SF14V-T	14"	1/20	0.61	1590	Sleeve	850
ILG8SF16V-T	16"	1/20	0.83	1580	Ball	1200
ILG8SF18V-T	18"	1/15	0.90	1070	Ball	1736
ILG8SF20V-T	20"	1/4	2.59	1075	Ball	3368
ILG8SF24V-T	24"	1/4	2.65	1050	Ball	4244
ILG8SF30V-T	30"	1/3	3.10	825	Ball	5088

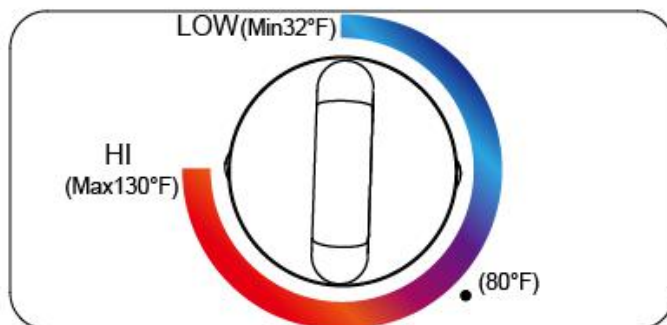
OPERATING INSTRUCTIONS

1. Keep the area free of objects that could impede air flow on both the intake and exhaust side of fan.
2. For proper exhaust operation, a window, door, or louver should be opened for fresh air intake on the opposite side of the area to be ventilated.
3. Connect power plug to any standard 115-volt AC outlet. Caution: Make sure the Speed Control is in the OFF position.
4. Use the pull chain switch to select the desired operating speed. The speed runs as HIGH---MID---LOW--- OFF.
5. Press the Thermostat Switch on, select a thermostat setting. Ambient temperature is regulated by adjusting the thermostat to a desired position. To set, allow the unit to operate and cool down the room. When the desired temperature is reached, turn the control knob just until the fan turns off. This is your ideal setting. The fan will start automatically when the room temperature raise above this set point, and will turn off when the set point is reached.

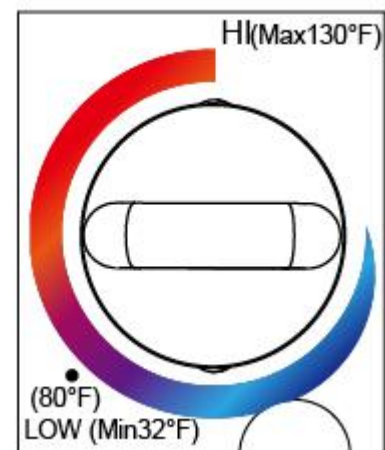


- A. Thermostat Switch
- B. Thermostat Knob
- C. Pull Chain

Thermostat control panel




For ILG8SF10V-T/ ILG8SF12V-T/
ILG8SF14V-T



For ILG8SF16V-T/ ILG8SF18V-T/
ILG8SF20V-T/ ILG8SF24V-T/
ILG8SF30V-T

MAINTAINANCE

1. Disconnect power source before servicing.
2. Periodically clean off accumulated dirt from the propeller, guard, motor, and shutter.

 **Do not depend on any switch as the sole means of disconnecting power when installing or servicing. If power disconnect is not visible, utilize OSHA Lock out/Tag out procedure.**

 **Failure to do so may result in fatal electrical shock. Employ proper lock-out/tag-out procedures when performing maintenance.**

TROUBLESHOOTING

Symptom	Possible Cause(s)	Solution
Excessive noise	Loose propeller	Tighten set screws on propeller hub.
	Bent or damaged propeller	Replace propeller
	Loose guard assembly or motor fasteners.	Tighten as required to 15-20 lbs. per inch.
Fan inoperative	Blown fuse or open circuit breaker	Replace fuse or reset circuit breaker
	Defective motor	Replace motor
	Switch in OFF position	Turn switch ON
Insufficient air flow	Blocked intake or exhaust opening	Clear intake and exhaust openings of any obstructions. Clean motor, guard, propeller, and shutter assembly. Increase the opening of the fresh air intake.
	Low voltage	Check electrical wiring.
	Speed control set too low	Increase speed with controller

Warranty Information

Register your product at our website:



Or visit [iLivingUSA.com/register-product](https://www.ilivingusa.com/register-product)

Feedback

Love it? Help us make the product more for you.



Let us know with a customer review.

Please visit: <https://www.amazon.com/review/review-your-purchases#>

At iLiving USA, we are committed to bringing top quality products to our customers.

iLIVING USA
860 Mahler Road,
Burlingame, CA 94010
Tel: 1-800-317-1688
Email: service@ilivingusa.com



Like us on Facebook: <https://www.facebook.com/ilivingusa/>



Follow us on Twitter: @iLIVINGUSA

Check out our website: www.ilivingusa.com