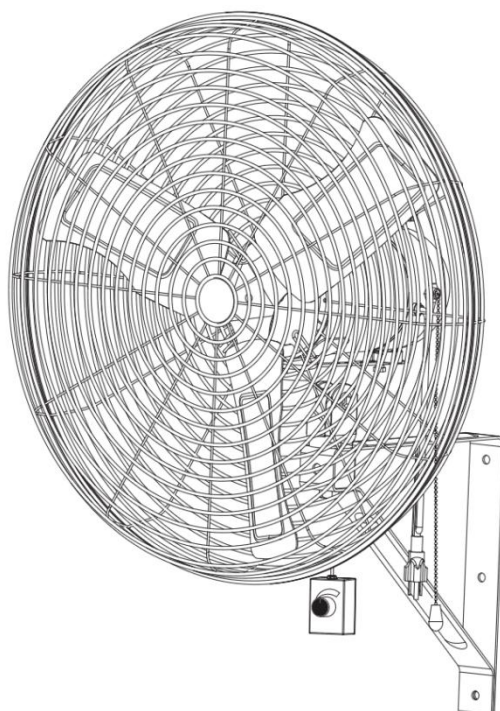




## WALL / CEILING MOUNT AIR CIRCULATOR



MODEL: ILG8W24-51EC  
115V 60Hz 0.26HP  
24" continuous variable  
speed adjustment

**Owner's Manual**

**PLEASE READ AND  
SAVE THESE INSTRUCTIONS**

# TABLE OF CONTENTS

Important Instructions.....	3
Specifications.....	5
Installing Instructions.....	6-7
Operating Instructions.....	8-9
Maintenance and Cleaning.....	10
Troubleshooting.....	11

# IMPORTANT INSTRUCTIONS

**CAUTION:** Please read and save these instructions. Read carefully before attempting to assemble, install, operate or maintain the product described. Do not use the fan if any part is damaged or missing.

Protect yourself and others by observing all safety information. Failure to comply with instructions could result in personal injury and/or property damage!

Retain instructions for future reference.

**WARNING:** To reduce the risk of electric shock, do not expose the fan to water or rain. To reduce the risk of fire or electric shock, do not use this fan with any solid state speed control device. This appliance has a grounded plug. To reduce the risk of fire or electric shock, this plug is intended to fit in an outlet only one way. If the plug does not fit into the outlet, contact a qualified electrician. Do not attempt to bypass this safety feature.

## General Safety Information

**NOTE:** To comply with UL507, air circulator is not to be used in unattended areas.

1. Ensure that the power source conforms to the electrical requirements of the fan.
2. Where a two-prong wall receptacle is encountered, it must be replaced with a properly grounded three prong receptacle installed in accordance with the United States National Electrical Code (NEC) and all applicable local codes and ordinances. This work must be done by a qualified electrician, using copper wire only.
3. Where possible, avoid the use of extension cords. If they must be used, minimize the risk of overheating by ensuring that they are UL Listed and of the proper gauge and length. Never use a single extension cord to operate more than one fan.
4. Do not kink the cord or allow it to contact oil, grease, chemicals, hot surfaces, or sharp or abrasive objects.
5. This fan is to be operated **ONLY** with its OSHA compliant guards in place to prevent persons and/or objects from contacting the revolving propeller. Any other use voids warranty and may create unsafe conditions.
6. Fan is intended for general air circulation **ONLY**. It must **NOT** be used in potentially dangerous locations such as flammable, explosive, chemical-laden, or wet atmospheres. Do not use fan in or near a window, since rain may create an electrical hazard. Do not attach ductwork to the fan.
7. Fan motor is equipped with an automatically resetting control circuit that will disconnect power if the motor overheats. Always unplug fan before removing guard,

as motor may restart unexpectedly.

8. Do not operate any fan with a damaged cord or plug. Discard fan or return to an authorized service facility for examination and/or repair.
9. Do not run cord under carpeting. Do not cover cord with throw rugs, runners, or similar coverings. Do not route cord under furniture or appliances. Arrange cord away from traffic area and where it will not be tripped over.
10. Disconnect the fan when moving it from one location to another.
11. Make sure the fan is on a stable, flat surface while it is in operation.
12. Disconnect the fan when removing the guards for cleaning.

**WARNING:** Use of a three-prong to two-prong adapter is not recommended. Improper connection may create the risk of electrocution. Use of such adapters is prohibited in Canada.

**WARNING:** Do not depend on any switch as the sole means of disconnecting power when installing or servicing the fan. Failure to do so may result in fatal electrical shock.

**WARNING:** Do not insert fingers or foreign objects into the fan. Do not block or tamper with the fan in any manner while it is in operation.

**WARNING:** Do not touch motor. May be hot enough to cause injury.

**WARNING:** Unplug prior to servicing unit.

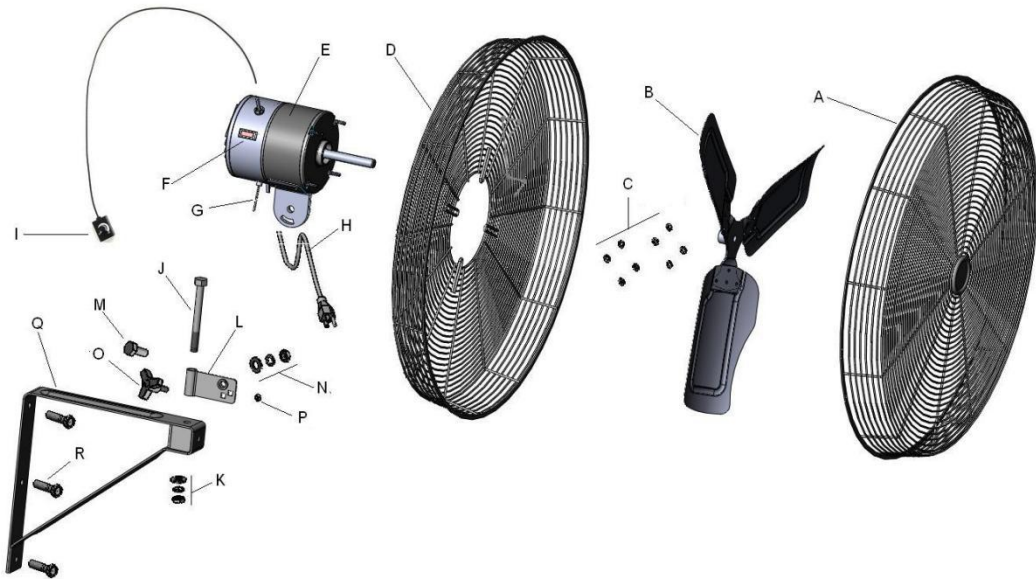
**WARNING:** To reduce the risk of fire or electric shock, do not use this fan with any speed control device.

**SAVE THESE INSTRUCTIONS**

# SPECIFICATION

Model: ILG8W24-51EC

115V 60Hz 0.26HP



A: FRONT GRILLE

B: PROPELLER

C: NUTS & WASHER FOR REAR GRILLE

D: REAR GRILLE

E: THE EC MOTOR

F: INDICATOR

G: PULL CHAIN SWITCH

H: POWER CORD

I: SPEED ADJUSTMENT KNOB

J: SWIVEL BRACKET BOLT

K: NUTS & WASHER FOR SWIVEL BRACKET BOLT

L: SWIVEL BRACKET

M: HEXAGONAL BOLT

N: NUTS & WASHER FOR HEXAGONAL BOLT

O: TRIANGLE BOLT

P: NUTS & WASHER FOR TRIANGLE BOLT

Q: MOUNTING BRACKET

R: MOUNTING SCREWS

# INSTALLATION INSTRUCTION

## Grille/Motor Assembly:

1. Place the motor on a flat level surface with the motor shaft facing up.
2. Unscrew the 4 nuts and washers from the motor. Arrange the rear guard in its proper position. Secure the rear guard to the motor by inserting and tightening the 4 nuts and washers to the motor (through the eyelets on the guard). Apply 32-40 in. lbs. of torque to motor mount nuts.
3. Insert the propeller into the motor shaft until it reaches a stopping point and the set screw is in line with the flat groove on the motor shaft.

NOTE: Make sure the propeller's set screw is facing the motor. You may need to loosen the set screw at the rear of the blade to slide it onto the shaft.

Secure propeller on the flat of the motor shaft with the set screw. Apply 90-120 in. lbs. torque to propeller set screw.

CAUTION: Do not alter the angle of the blades.

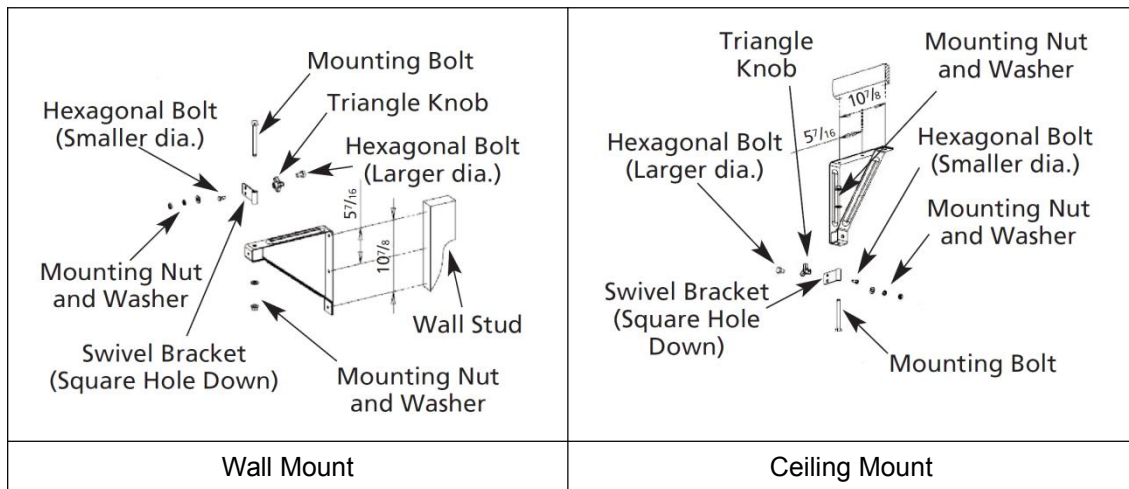
4. Place front guard on rear guard with decal facing away from propeller. Position guard hooks between ribs of rear guard. Use a large screw driver to pry guard hooks into place. When assembled, the guard hooks should be located between the largest, outermost ring and the second outermost ring. Make sure that all hooks are engaged before operating fan.
5. Verify that propeller does not contact the guard set at any point before connecting fan to power supply.

## Mounting Bracket:

1. Mark the drill-hole positions on the wall or ceiling (studding) for the mounting bracket.
2. Drill the required holes with diameter fit for the anchor provided for positioning the mounting bracket.
3. Attach the bracket to the wall or ceiling (studding) and secure with mounting

screws, or appropriately sized bolts and nuts if attaching to I-beams.

NOTE: Always install the bracket to a minimum of 2 x 4 studding.



4. Assemble the swivel bracket as shown. The bracket has three holes; be sure square hole is specified in the illustration.

Assemble the motor to swivel bracket:

1. Position the swivel bracket in the motor yoke and align the pivot hole with the round hole in the swivel bracket.
2. Insert the larger diameter bolt in the pivot hole and install the lock nut, finger-tight.
3. Insert the smaller diameter bolt in the slot in the motor yoke (or support bracket) and square hole in the pivot bracket and install triangle knob, finger-tight.
4. While holding the motor at the desired angle, tighten the smaller diameter bolt.
5. Tighten larger bolt to 200-230 in. lbs. and smaller bolt to 150-160 in. lbs. being careful to maintain the desired position.

# OPERATION INSTRUCTION

**TO ADJUST AIRFLOW UPWARD OR DOWNWARD:** Loosen the position knob first and then loosen the pivot screw. Tilt the motor to the desired angle and then firmly tighten the pivot screw first and then the position knob.

**TO ADJUST AIRFLOW LEFTWARD OR RIGHTWARD:** Loosen the swivel bracket bolt nut a little; turn the motor to leftward or rightward to your desired position; tighten the bolt nut.

Speed Control:

1. This fan employs the latest technology of EC (electronic commutator) and electronic control.
2. Switch On the fan by pull chain. Pull the chain down will “click” and fan is ON. To switch off the fan, pull the chain and “click” will switch OFF the fan.
3. Speed adjustment is continuously variable from 200 (min) to 1200 (max) rpm via the adjustment knob.



4. Turn the knob in clockwise direction will speed up the fan and vice versa will slow down the fan until stop.
5. Adjust the fan speed to your desire comfortable rate. Turn the knob slowly as the fan requires time to speed up or slow down.

You can keep the desire speed when you switch off the fan. The next time you switch on the fan, as long as the knob is at the previous position, the fan will rotate at this speed.

**CAUTION:**

Rotation will always have some natural resonance frequency. This fan has a wide spread of speed adjustment which may have encounter this resonance at one or two speeds.

At a speed when resonance occurs, the whole fan will vibrate somewhat

vigorously and with shaking noise.

When you notice the fan is vibrating, this may be the resonance. Too much resonance will damage the fan. Please skip this speed and you will see the fan ceases vibrating immediately.

Resonance is nature physical phenomenon. Please skip the speed that will cause the resonance.

# MAINTENANCE AND CLEANING

**WARNING:** Parts replacement and troubleshooting to be performed only by qualified personnel.

**WARNING:** Do not depend on any switch as the sole means of disconnecting power when installing or servicing the fan. Failure to do so may result in fatal electrical shock.

**WARNING:** Unplug the fan from the wall outlet before servicing or cleaning.

**CAUTION:** There is no user maintenance part except regular cleaning as following description. All other servicing or maintenance should be performed by qualified service personnel.

To clean the fan, use a soft damp cloth. Wipe down with a dry cloth. Do not use cleaners that are harmful to paints or plastics.

**CAUTION:** Do not use gasoline, benzene, thinner, harsh cleaners, etc., which are dangerous and will damage the air circulator.

The propeller, guard, and motor should be cleaned periodically to prevent overheating, and/or operating in an imbalanced condition.

**CAUTION:** If cleaning requires the removal of a guard, remove only the front guard and re-install when finished in its originally installed position. Do not repair propeller if it becomes damaged. The propeller is accurately balanced at the factory and should be replaced if damaged.

Do not bend the blades.

Motor is permanently lubricated.

# TROUBLE SHOOTING

If your fan fails to operate, please follow these Instructions:

1. Make sure the fan is plugged in and the electrical outlet is working properly.
2. Check for any obstruction. If you find an obstruction, turn the fan "OFF". Unplug the fan and carefully remove the obstruction.

Plug the fan in and turn it on again and see if it resumes normal.

**NOTE: IF YOU EXPERIENCE A PROBLEM WITH YOUR FAN, PLEASE DO NOT ATTEMPT TO OPEN OR REPAIR THE FAN YOURSELF. DOING SO COULD CAUSE DAMAGE OR PERSONAL INJURY. Always consult the authorized dealer or certified electrician for further action.**

## **Product Specifications**

**Model#:** ILG8W24-51EC

**Voltage:** 115V, 60Hz

**Current:** 3.14 amps;

**Power:** 250 Watts

## Warranty Information

Register your product at our website:



Or visit [iLivingUSA.com/register-product](https://www.ilivingusa.com/register-product)

## Feedback

Love it? Help us make the product more for you.



Let us know with a customer review.

Please visit: <https://www.amazon.com/review/review-your-purchases#>

At iLiving USA, we are committed to bringing top quality products to our customers.

iLIVING USA  
860 Mahler Road,  
Burlingame, CA 94010  
Tel: 1-800-317-1688  
Email: [service@ilivingusa.com](mailto:service@ilivingusa.com)