

# Installation and Operation Manual

## HWD-45 & HWD-45W Dehumidifier



**Please Read and Save These Instructions**



### **Innovative Dehumidifier Systems**

Division of Maradyne Corporation

4540 W 160th Street

Cleveland, OH 44135

910-579-DEHU (3348)

[www.InnovativeDehumidifiers.com](http://www.InnovativeDehumidifiers.com)

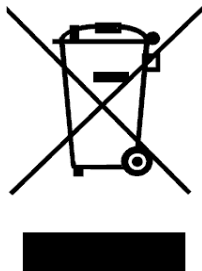
# SUMMARY

---

SUMMARY .....	1
DECLARATION OF CONFORMITY .....	2
PERSONAL PROTECTIVE EQUIPMENT .....	4
SAFETY NOTES.....	4
GENERAL DESCRIPTION OF THE UNIT .....	6
INSTALLATION .....	7
CONTROL PANEL.....	14
SMART ARIA – APPLICATION .....	16
TECHNICAL AND PERFORMANCE DATA .....	18
DIMENSIONAL DRAWINGS.....	19
ELECTRICAL SCHEMATIC .....	20

# USERS INFORMATION

---



**"Implementation of directive 2012/19 / EU on waste electrical and electronic equipment (WEEE)".**

The barred waste bin symbol indicates that the product must be collected separately from other waste at the end of its life.

Separate collection of this equipment at the end of its life is organized and managed by the manufacturer.

The user who wishes to dispose of the equipment should contact the manufacturer for information on the system adopted by the latter to allow the separate collection at the end of life.

Alternatively, for all equipment to be disposed of with dimensions of less than 25 cm is the possibility of free delivery to electronics retailers, with sales area of at least 400 m<sup>2</sup>, with no obligation to purchase another similar appliance.

Appropriate separate collection for the subsequent forwarding of the decommissioned product to recycling, treatment and environmentally compatible disposal helps prevent negative impact on the environment and on health and promotes the reuse and / or recycling of the materials making up.



## DECLARATION OF CONFORMITY

---

**The company:** Maradyne Corporation

**Address:** 4540 West 160th Street,  
Cleveland, OH 44135, US

**Telephone number:** (910) 579-3348

**E-mail:**

*declares that the declaration of conformity is issued under our sole responsibility and belongs to the following products:*

**Model and/or Type:** HWD-45 / HWD-45W

**Description:** Horizontal Wall Dehumidifier

**Object of the declaration**

**Product Code/s:** HWD-45

*The object of the declaration described above is in conformity with the relevant Union harmonisation legislation:*

2014/30/UE (February 26th, 2014) - EMCD  
2011/65/UE (June 8th, 2011) - RoHS  
2014/35/UE (February 26th, 2014) - LVD

### The following harmonized standards and technical specifications have been applied:

<i>Title:</i>	<i>Date of standard/specification</i>
EN 60335-1	2012
EN 60335-1 (2012) - AC	2014
EN 60335-1 (2012) - A11	2014
EN 60335-1 (2012) - A13	2017

EN 60335-1 (2012) - A1	2019
EN 60335-1 (2012) - A2	2019
EN 60335-1 (2012) - A14	2019
EN 60335-1 (2012) - A15	2021
EN 60335-2-40	2003
EN 60335-2-40 (2003) - A11	2004
EN 60335-2-40 (2003) - A12	2005
EN 60335-2-40 (2003) - A1	2006
EN 60335-2-40 (2003) - AC	2006
EN 60335-2-40 (2003) - A2	2009
EN 60335-2-40 (2003) - AC	2010
EN 60335-2-40 (2003) - A13	2012
EN 60335-2-40 (2003) - A13 (2012) - AC	2013
EN55014-1	2017
EN55014-1 (2017) - A11	2020
EN55014-2	1997
EN55014-2 (1997) - AC	1997
EN55014-2 (1997) - A1	2001
EN55014-2 (1997) - A2	2008
EN IEC 63000	2018

**Other applied technical standards and specifications:**

EN 378-2	2016
----------	------




**Signed for and on behalf of:**

Cleveland, 04/04/2025



*Place and date of issue*

# PERSONAL PROTECTIVE EQUIPMENT

For the operations of installation, use and maintenance of the units, use the following means of personal protection.

	<p><b>Clothing:</b> those who carry out maintenance or work with the unit must wear safety shoes with non-slip soles in rooms with slippery floors.</p>
	<p><b>Gloves:</b> During cleaning and maintenance operations, the use of appropriate gloves is required. In the case of refrigerant gas refilling, the use of appropriate gloves is mandatory to avoid the risk of freezing.</p>
	<p><b>Mask and glasses:</b> during cleaning and maintenance operations, respiratory protection masks and eye protection goggles must be used.</p>

## SAFETY NOTES

	<p>Read user's manual</p>		<p>Danger of electric shock</p>
---	---------------------------	---	---------------------------------

The purpose of the manual and all the documentation supplied with this appliance is to enable both the installer and the operator to correctly install, start up and maintain the appliance without causing damage to the individual or the unit.

Every unit is subjected to a risk assessment carried out in compliance with the current legislation that defines the necessary actions and implements the protective measures necessary to achieve the risk reduction objectives.

It is advisable that all activities related to the operation and maintenance of the unit be performed:

- Only by appropriately trained persons who must adopt safe working practices and use PPE appropriate to the specific task performed based on their specific qualification.
- Only by appropriately trained persons who have completely read and understood the manuals, technical documents and safety documents.

Access to the appliance must be denied to anyone who is not adequately trained and competent.

Manuals, wiring diagrams and documentation attached to the unit must be read and kept for the entire life of the appliance.



**Warning:** It is strictly forbidden to remove the safety labels applied to this unit.



**Warning:** The unit was NOT designed to be used by people (including children) whose physical, sensory or mental capabilities are reduced. Even people without experience or knowledge of the appliance cannot use it. The people described above can use this unit only under the responsibility of an expert who checks their work and provides the appropriate instructions. Children must be supervised to ensure that they do not play with this appliance.



**Warning:** Do not insert any object or fingers into the inlet or discharge of this appliance.

---



**Warning:** If service is required, call a qualified technician. All work on unit should be done with the unit "off" and unplugged, or the breaker turned "off".

---



**Warning:** If the SUPPLY CORD is damaged, it must be replaced by the manufacturer, its service agent or similarly qualified person in order to avoid a hazard.

---



**Warning:** This appliance is designed for use in an indoor environment only.

---



**Warning:** This appliance must be installed in compliance with local wiring regulations.

---



**Warning:** The appliance must be installed respecting the dimensions and the necessary spaces including the minimum spaces allowed by the adjacent structures.

---



**Warning:** This appliance must always be connected using plugs with a grounding cable, as required for all electrical applications. The manufacturer declines all responsibility for any injury or damage caused if this rule is not followed.

---



**Warning:** This appliance has been designed and built in accordance with the strictest safety rules. Consequently, sharp instruments (screwdrivers, needles or similar) must not be inserted into the grids or any other openings in the panels, especially when the unit is open to remove the filter.

---



**Warning:** All maintenance and cleaning operations on the unit must be done with the power supply disconnected. Never remove any part of the unit without first removing the plug from the socket, or the breaker turned "off".

---



**Warning:** The unit must not be cleaned using water. Use a damp cloth to clean the unit. Never spray water on the unit or its electrical components.

---



**Warning:** Pay attention to the temperature limit when storing or transporting this product. The temperature must be within the range 14°F(-10°C) – 131°F(55°C).

---



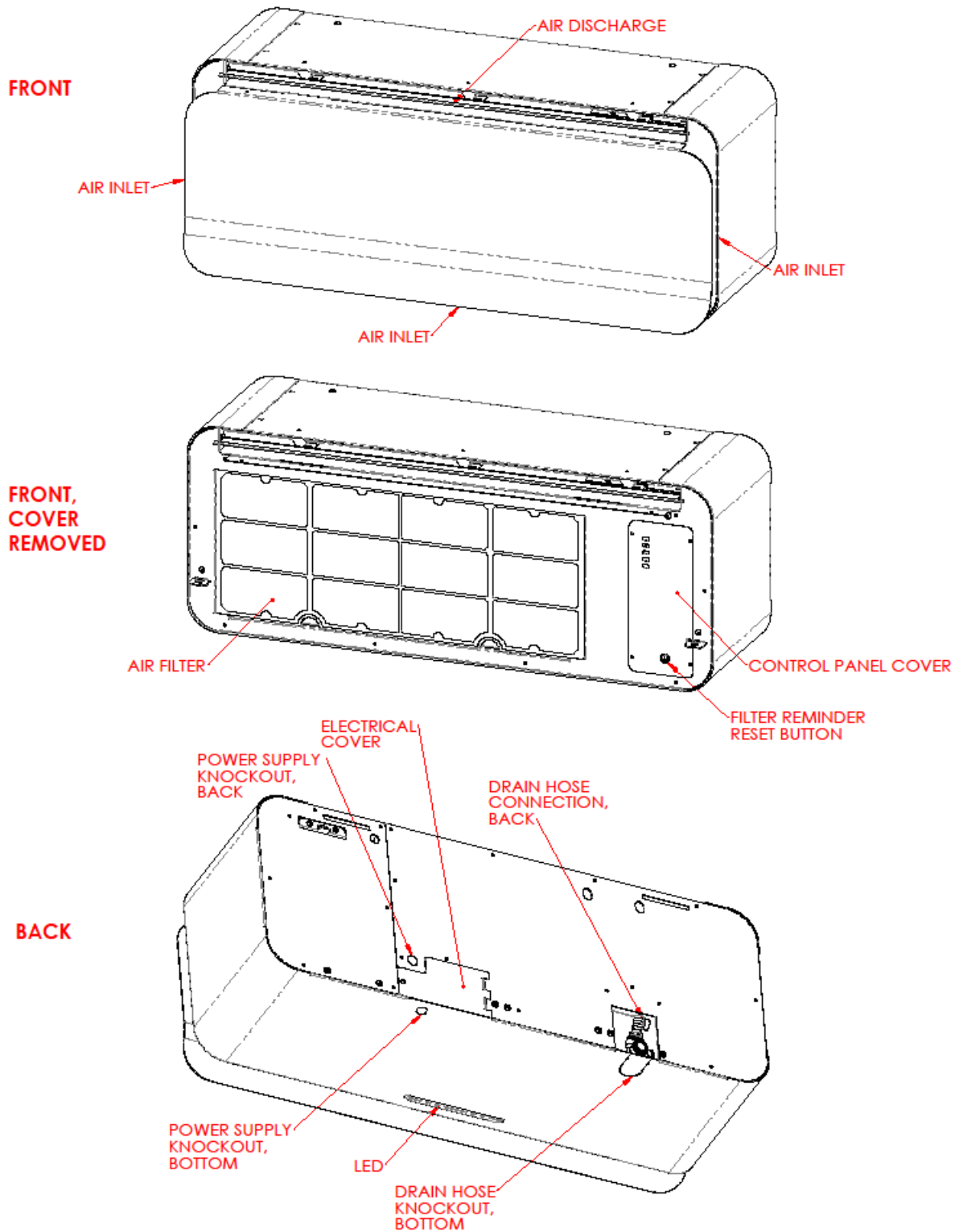
**Warningng: DO NOT PIERCE OR BURN THIS APPLIANCE**

---

# GENERAL DESCRIPTION OF THE UNIT

This device is a refrigeration cycle dehumidifier. It dehumidifies by drawing the room air through a refrigerated evaporator coil (heat exchanger) which cools and condenses the moisture from the air. It then passes the cool dry air through a hot condenser coil (heat exchanger) that warms the air as it returns to the room dehumidified and at a higher temperature than before.

This dehumidifier is equipped with a bi-polar ionizer which is activated every time the unit runs a dehumidification cycle.



# INSTALLATION

---



**Warning:** Follow the instructions given here carefully.

## 1 INTRODUCTION

### 1.1 General instructions



- This manual contains instructions for the end user to operate the dehumidifier after installation. **Operations requiring the removal of covers or panels with tools must be performed only by a qualified technician.**
- For maintenance operations, the power supply must always be disconnected allowing the operator to service the unit under safe conditions.
- Unit must be installed following all state and local plumbing and electric codes.
- In case of a request for assistance or spare parts, make note of the Model Number (MOD), Date of Production (D.O.P.) and Serial Number (SN) from the data plate located on the back of the unit prior to installation.
- This dehumidifier is intended only for operation when the unit is wall mounted. Any other orientation could cause water to accumulate and contact electrical components.
- If any water spreads throughout the unit, the unit should be opened and allowed to dry thoroughly before reconnecting to electric and restarting.

## 2 PRELIMINARY OPERATIONS

### 2.1 Packaging removal

Remove the packaging taking care not to damage the product. Dispose of the packaging products (wood, plastic, cardboard) following local regulations.

### 2.2 Inspection

All units are assembled and wired at the factory. Upon receipt of the unit, it must be inspected immediately. Carefully check that the product has not been damaged during transport or that there are no missing parts. Check specifically for dents or scratches on the external metal panels. Any complaints must be communicated to the carrier or the manufacturer within 8 days.



It is **FORBIDDEN** to connect and start the unit if damage exists. Doing so voids the manufacturer's warranty for this product.

### 2.3 Operating limits

For the operating limits of this dehumidifier, see the data table at the end of this manual.



**Warning:** It is strongly recommended to NOT exceed the operating limits specified in this manual. Exceeding these limits could affect the normal operation or the reliability of this product (for special applications, please contact the manufacturer).

---

## 2.4 Placement



**Warning:** Avoid recirculation of air between the intake and exhaust sides of this unit. Follow instructions below carefully. Do NOT block or obstruct air flow from this unit. Do not place or hang objects on the front panel. Otherwise, the performance of the unit will deteriorate or normal operation will be interrupted.

- 
- For proper operation, no obstruction should be located within 36" of the front face, sides or bottom of the unit and the unit should be located no less than 6" from the ceiling.
  - When choosing a location, be sure that the drain and power can be installed either down the surface of the wall or through the wall.
  - Be sure that there's an appropriate drain and power source within a reasonable distance of the installation site.



**Warning:** Ultimately, the placement of this unit and installation is the responsibility of the installer. The manufacturer declines all responsibility for any injury or damage caused by failure to follow ALL instructions and warnings in this manual.

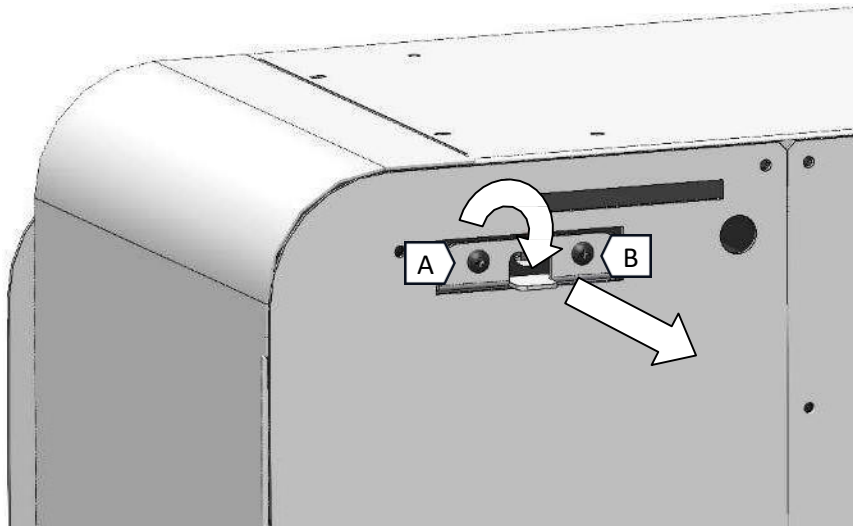
## 3 START UP

### 3.1 Remove shipping bracket



**WARNING:** Remove the shipping bracket from the back of the dehumidifier. This bracket is to stabilize the compressor during shipping. Failure to remove this bracket could cause excessive noise and damage the compressor. Failure to remove this bracket will also interfere with the installation of the unit to the wall.

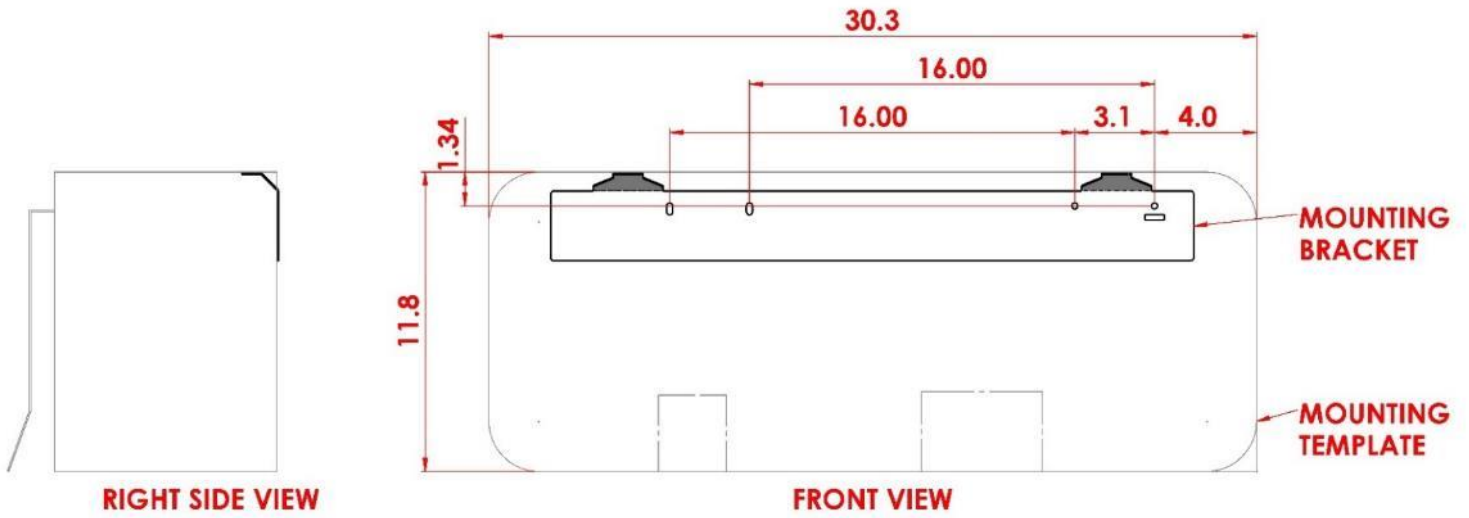
- 
- Remove screws "A" and "B" retaining the shipping bracket to the chassis of the dehumidifier as indicated in the diagram below.
  - Push down on the tab on the shipping bracket to release it from the compressor as shown in the diagram.
  - Slide the bracket out of the chassis of the dehumidifier and discard the bracket and both screws. These will not be required going forward.



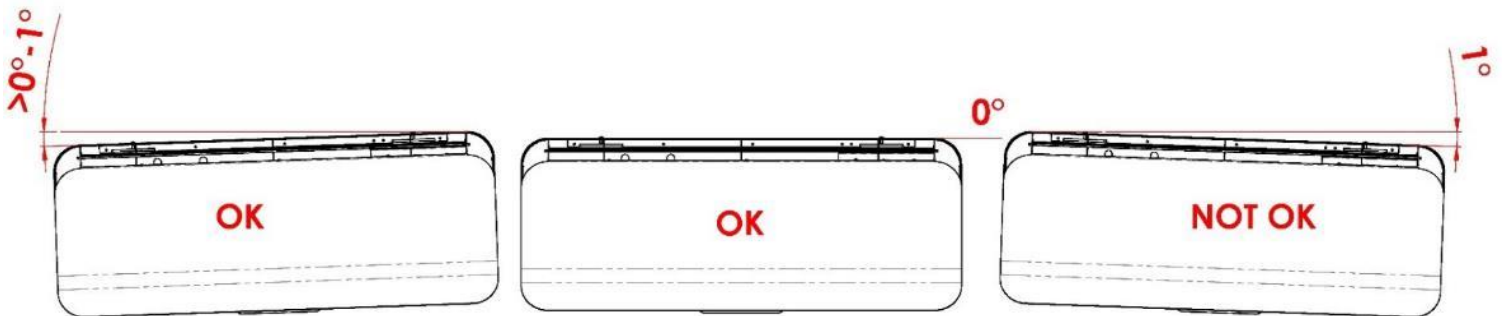
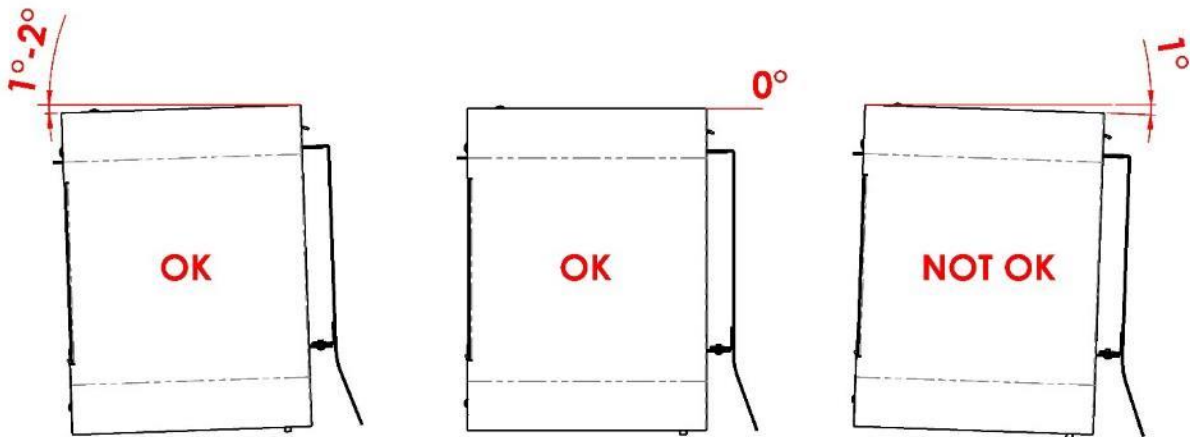
### 3.2 Mounting

- Choose the appropriate type of fastener for the wall construction you will be mounting to. Mounting fasteners are NOT supplied. The mounting holes in the bracket are sized for a #10-#12 screw maximum. The head diameter should not exceed .46" and be no less than .35" in diameter.
- Choose your mounting location following the guidelines in the prior "Placement" section.

- Use the supplied template to locate the mount bracket holes and location for the utility holes if utilities are routed through the wall. **MAKE SURE TEMPLATE IS LEVEL BEFORE MARKING BRACKET HOLES.**
- If mounting to a stud type wall, be sure to align the mounting holes in the bracket with studs in the wall. Each set of holes are spaced 16.00" apart to align with standard 16" on center wall construction, see diagram below.
- If routing the drain and/or electric service through the wall, be sure to choose the mounting holes that will position these utilities so they clear the studs in the wall.



**WARNING:** When placing the dehumidifier on the wall be sure NOT to exceed the positioning shown below. Failure to maintain proper positioning could cause condensate to back up in the unit causing catastrophic failure. Use the slots at one end of the mount bracket to adjust accordingly.



### 3.3 Power connection



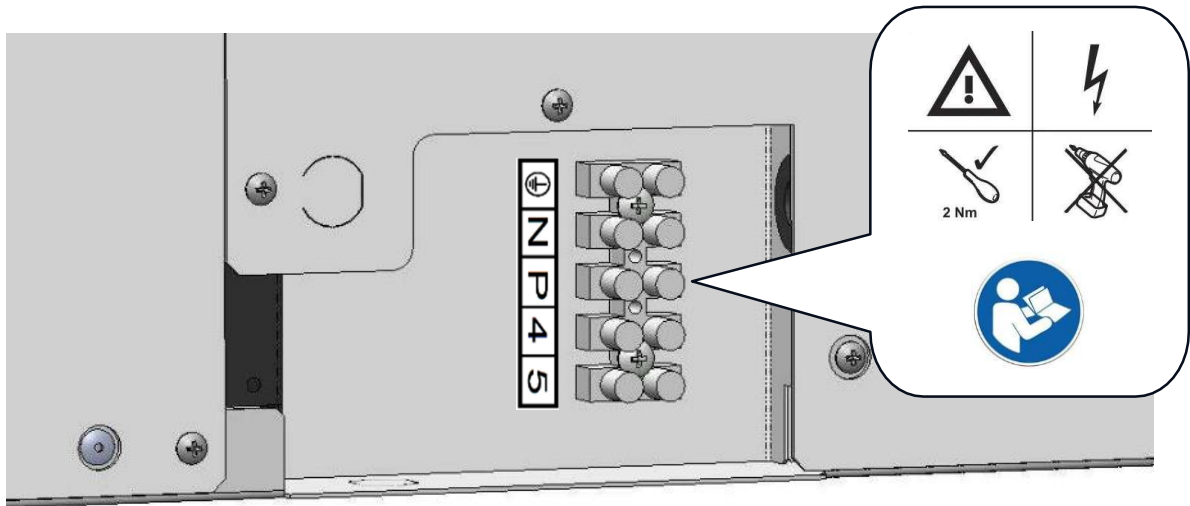
**Warning:** Check that the power supply voltage and frequency corresponds to the unit's requirements specified on the data label on the unit and in the back of this manual.



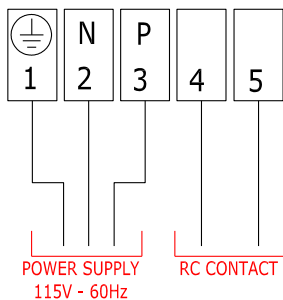
**Warning:** The dehumidifier must always be connected using a grounded electrical connection as required for all electrical appliances. The warranty is voided and all responsibility for the operation is born by the owner if non-grounded wiring is used.




**Warning:** Shut Off breaker / power or make sure power cord is unplugged before wiring unit



- Remove the cover over the electrical terminals on the back of the dehumidifier.
- Remove the pre-cut knockout from back or bottom of the unit based on the electrical routing you have chosen.
- Route the cord/wire through the hole and install the strain relief grommet supplied with the unit.
- Connect the wires to the terminal block as indicated below.
- When complete, replace the cover over the electrical terminals.



- 1-  - Green = Ground
- 2- N - White = Neutral connection
- 3- P - Black = Power connection

### 3.4 Remote Humidistat connection



**Warning:** Remote contact rating 5V maximum.

---

Although this dehumidifier has its own controls, it can also be Remotely Controlled (RC) by connecting an external humidistat. Connect the humidistat leads as follows.

- Connect the humidistat leads to terminals 4-5 on the terminal strip as indicated in the diagram on previous page.
- Access the Control Panel as described in section 3.7 "Operation & LED indicator".
- Switch unit to Remote Control MODE by pressing the "HOURS" and "PUMP" buttons simultaneously. The control panel will display "rc" to confirm the operation. The dehumidifier will no longer consider the setting entered in the control but will switch on when the external humidistat calls for dehumidification.

### 3.5 Install Drain line



**Warning:** The drain line must be routed to a suitable drain option per local building code. The drain line MUST run on a continuous downward slope with NO loops or dips. A minimum downward slope of 1" per 10' of run is required.

---

- Rotate the drain spigot for back or bottom draining based on the routing you have chosen. You will need to remove the pre-cut knockout from the bottom of the unit if you're draining from the bottom.
- Push the vinyl drain hose onto the spigot and secure with the plastic cable tie supplied. Trim excess end of cable tie. Alternatively, the drain can be run using 3/4" ID PVC pipe. This is at the discretion of the installer.

### 3.6 Mount and Secure



**Warning:** This unit is HEAVY and awkward to handle. Know your limits. We recommend asking for assistance when lifting this unit to mount on the wall

---



**Warning:** Before mounting, check that the electric cover panel is installed.

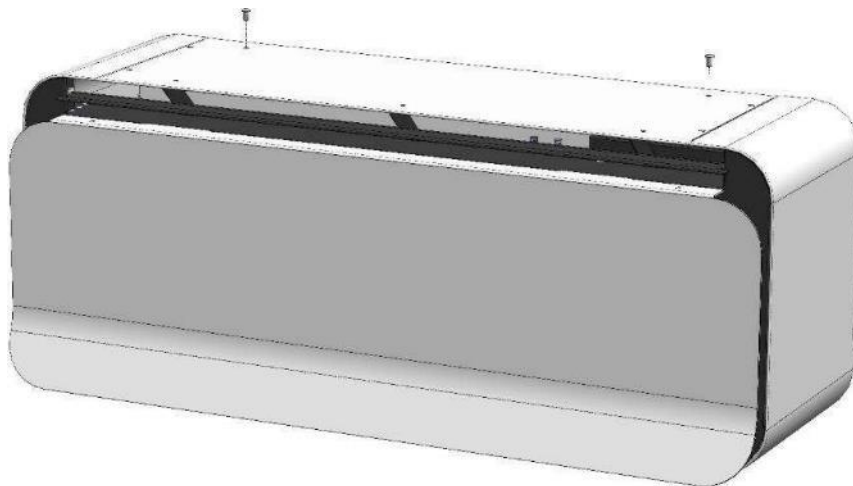
---



**Warning:** The unit MUST be secured to the mount bracket with the supplied screws.

---

- Once the electric service and drain line are routed to the unit, set the unit onto the wall bracket. Before securing the unit into place, make sure the unit is level per operation 3.2 "Mounting".
- Secure the unit to the mount bracket using the screws supplied.



### 3.7 Operation and LED signals



**Warning:** You MUST finish reading this manual completely before energizing this dehumidifier for the first time. Failure to do so could cause damage to the unit.

---

This dehumidifier is preset at the factory to “On”, 55% relative humidity and normal fan speed. To start, either plug in or turn on the breaker to energize the unit. There will be a 3.5 minute delay, the LED on the bottom of the unit will light for 3 seconds and an audible signal will sound to indicating the unit is powered. Dehumidification will start when the humidity in the room exceeds the factory preset.

If you need to change the factory presets, follow the instructions below:

- The manual control panel is located behind a cover on the front of the unit. See the “Control Panel” instructions for access and function of the controls.
- If your unit is equipped with Wi-Fi / Bluetooth, see the “Smart Aria – Application” section later in the manual. This will give you the ability to control the dehumidifier through an App on your smart phone or similar device.

This unit has an LED light bar on the bottom of the housing that’s used to communicate to the owner. The notifications are as follows:

- The LED will illuminate White for 3 seconds and an audible signal will sound when initially powered on.
- The LED will be OFF under normal operating conditions.
- The LED will flash Blue for 1 second every 10 seconds when the filter needs servicing. See the “Control Panel” instructions to reset the filter service reminder.
- The LED will flash Red for 1 second every 5 seconds when there’s an alarm indicated. See the “Control Panel” instructions for access and function of the controls.

### 3.8 Preliminary checks



**Warning:** The unit must remain stable in the operating position for at least two hours before the first start-up. Failure to comply with this rule may result in irreparable damage to the compressor.

---



**Warning:** Before starting up, check that all the cover panels are installed and secured in the correct position.

---

- **When these final checks are complete, you can apply power to the dehumidifier. Monitor the function of the unit closely for the first 24 hours to ensure proper operation**

## 4 MAINTENANCE

### 4.1 Checks to be carried out by the user

This dehumidifier was designed to require minimal intervention from the owner. The only maintenance to be carried out is servicing the air filter.

This task is further simplified by the filter service reminder built into the logic of this dehumidifier. The LED light bar on the bottom of the unit will flash blue when the filter needs service. NOTICE: It may be necessary to increase the frequency of cleaning due to the dustiness of the unit’s environment. This is the responsibility of the owner to determine.

To service the filter, follow the steps below:



**ATTENTION:** THE FILTER MUST ALWAYS BE REMOVED FROM THE UNIT TO PERFORM SERVICE. IT IS STRICTLY FORBIDDEN TO PERFORM CLEANING WITH THE FILTER MOUNTED IN THE UNIT.

---

- Reach behind the front panel of the dehumidifier with both hands and insert yours thumbs in the notches at the bottom of the filter. Push up then out on the bottom of the filter frame. The filter will drop out of the housing at this point.
- Thoroughly inspect the filter then clean or replace as necessary. Contact the manufacturer for replacements.
- To clean the filter, either lightly vacuum away dust and debris or wash and rinse with a mild dish soap and warm water. Let dry thoroughly before reinstalling. DO NOT dry with an external heat source, this will damage the filter media.
- Reinstall the filter in the same manner as removed, pushing the filter up and into the filter cavity of the dehumidifier.
- Once the filter is reinstalled, reset the filter service reminder. The reset button is located through a small hole in the Control Panel cover on the front of the dehumidifier. Press and hold the button for 4 seconds to reset the reminder.

## 4.2 Service & Parts

If service is required, contact the manufacturer or a qualified technician. All work on the unit should be done with the unit "off" and unplugged, or the breaker turned "off".

Should it be necessary to replace one or more parts during service, contact the manufacturer for replacements. All service must be done using only manufacturer approved spare parts.



**Warning:** Failure to use manufacturer approved replacement parts could void the warranty on this product.

---

## 4.3 Disposal of unit

The device has been designed and built to guarantee continuous operation. The duration of some main components, such as the fan and the compressor, depends on the maintenance to which they have been subjected.



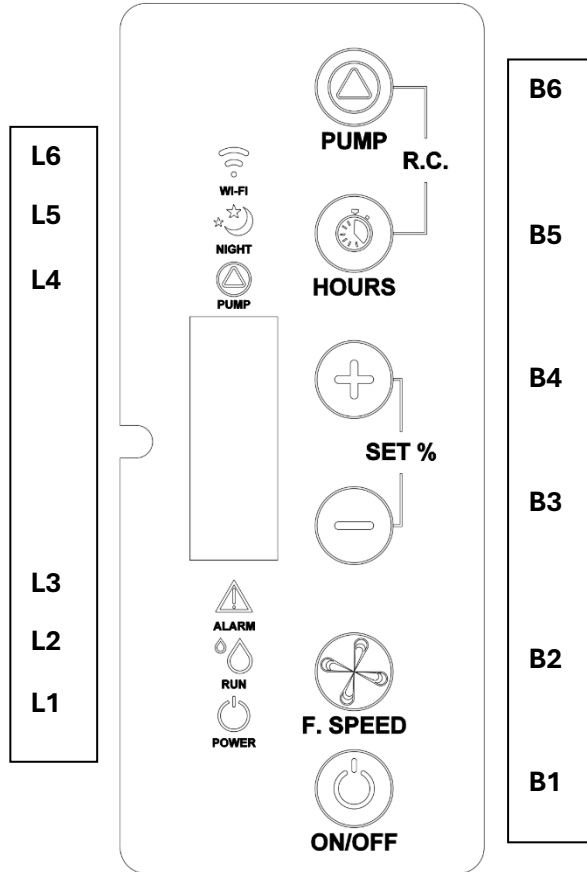
**Warning:** The unit contains substances and components that are dangerous for the environment (electronic components, refrigerant gas and oils). At the end of the useful life, in case of dismantling of the unit, the operation must be performed by specialized refrigeration personnel. The unit must be assigned to specialized centres for the collection and disposal of equipment containing dangerous substances. The refrigerant and the lubricating oil contained in the circuit must be recovered, in accordance with the regulations in force in your country.

# CONTROL PANEL

The control panel is located behind the front panel of the dehumidifier, to the right of the filter. It's concealed by a cover held on by (4) security screws. To access the controls, remove the front panel and the cover concealing the controls.

The control panel is composed of a display (5 digits), 6 Indicator Lights and 6 buttons.

When the unit is powered, the display turns on and an audible signal will sound. The operational settings can be identified via the Indicator Lights. See below for a complete control panel key.



## LED AND BUTTONS

### L1 – POWER INDICATOR

LED is on when the unit is powered.

### L2 – RUN INDICATOR

LED is on when the compressor is running.

Flashes when switched on or while the automatic defrost cycle is in progress.

### L3 – ALARM INDICATOR

Lit anytime an alarm occurs. The display will show the error message..

### L4 – ALARM + PUMP

Not applicable.

### L5 – NIGHT MODE

Lit when "night mode" is selected and the fan will run slower and quieter.

### L6 – WI-FI CONNECTED

Blinks when a Bluetooth or Wi-Fi device is connected and for 60 seconds on initial start-up.

### B1 – ON-OFF

Press to switch from standby to on and vice versa.

### B2 – FAN SPEED

Press to turn night mode on and off.

**B3 / B4 – SET (-) / (+)-**

Press either button to decrease (-) or increase (+) the desired humidity setting. Press either button and the display will start flashing and indicate the current setting, by continuing to press SET (-) or (+) you can set desired relative humidity from 30%RH to 80%RH.

You can also operate the unit continuously, regardless of humidity, by pressing SET (-) until "Cont" appears on the display.

**B5 – HOURS**

Press to view the number of hours the compressor has run on the display.

**B6 – PUMP**

Not applicable to this model.

**Remote Control (RC) MODE**

To operate this dehumidifier using a remote humidistat, press buttons B5 and B6 simultaneously. The Control Panel will display "rc" to confirm the operation. At this point, the dehumidifier no longer considers the internal set point and switches on and off through the remote humidistat.

**DISPLAY**

<b>OFF</b>	Indicates that the unit is powered but turned OFF.
<b>rH65</b>	When unit is powered, display shows the current humidity level detected by the probe on the machine (in the example, 65%RH).
<b>dEFr</b>	Indicates that the defrost cycle is in progress. The Run Indicator (L2) blinks.
<b>rc</b>	Indicates the Remote Humidistat contact is open, the unit remains in standby.
<b>- rc -</b>	Indicates the Remote Humidistat contact is closed, the unit starts working (respecting all settings).
<b>PunP</b>	Not applicable.

**ALARMS**

	If an alarm is active, the Alarm Indicator (L3) is lit and the display shows one of the codes below.
<b>Prob</b>	Humidity probe malfunction. Contact customer service for replacement.
<b>Pro3</b>	Room temperature probe malfunction. Contact customer service for replacement.
<b>Lotb</b>	This message is present if remote control is disabled. Low room temperature. Check the ambient temperature is within the operating range.
<b>Lot3</b>	This message is present if remote control is activated. Low room temperature. Check the ambient temperature is within the operating range.
<b>PunP</b>	Not applicable.
<b>FILt</b>	Filter cleaning warning. It is given to signal the need to check the cleanliness of the filters. It can be reset by holding down the HOURS button (B5) for 4 sec.

# SMART ARIA – APPLICATION

---



**SMART ARIA** is an application available for your smart device to control the HWD-45W Dehumidifier (Wi-Fi / Bluetooth equipped). You can download the App directly by scanning the QR code that corresponds to your operating system or by searching and downloading it from your favorite App store.

## DOWNLOAD

### PLAY STORE



### APP STORE



## PAIRING

To control the dehumidifier via application, you will need to pair your smart device with the unit. To do this, open the application on your device and power the unit. Select the device when it appears on the screen to connect.

When you connect for the first time, you will be asked for permission to pair to your device. Press "PAIR" to complete the operation.

NOTE: connection is only possible in the first 60 sec of powering on the dehumidifier. If more time has passed, it will be necessary to turn off the power to the unit for a few seconds and then turn it back on.



## REMOVING A DEHUMIDIFIER FROM A DEVICE

It may be necessary to remove a unit from a device. For example, the owner of the unit changes or you want to remove operating control from one or more devices. To do this, follow the instructions below:

NOTE: Permissions to connect for all devices will be removed. You will need to repeat the pairing process to connect the devices you want to access the unit.

- Turn the unit OFF by pressing the "ON/OFF" button on the control panel.
- Hold down the "F. SPEED" button for 10 seconds until the display shows **rES**.
- Remove power to the unit then turn it back on.

INTERFACE AND MAIN CONTROLS



<b>A</b>	Name of the connected device. Editable in the Devices menu inside Settings.
<b>B</b>	Access to settings menu. Available inside: - operating statistics - device management - settings (language, pump or RC enable, Units)
<b>C</b>	ON/OFF control of the unit
<b>D</b>	Status of the unit: Lit "ON", Dark "OFF" - Power - Compressor - Fan - Alarm
<b>E</b>	Defrost status indicator. On = Defrost in progress.
<b>F</b>	Temperature Widget: Displays the current temperature of the room.
<b>G</b>	Humidity Widget: Displays the current humidity of the room in %RH and the desired Setpoint. (Touch the reading value to change the Setpoint).
<b>H</b>	Sets the unit to work continuously without regard to current setpoint. When "ON", it's not possible to modify the Setpoint.

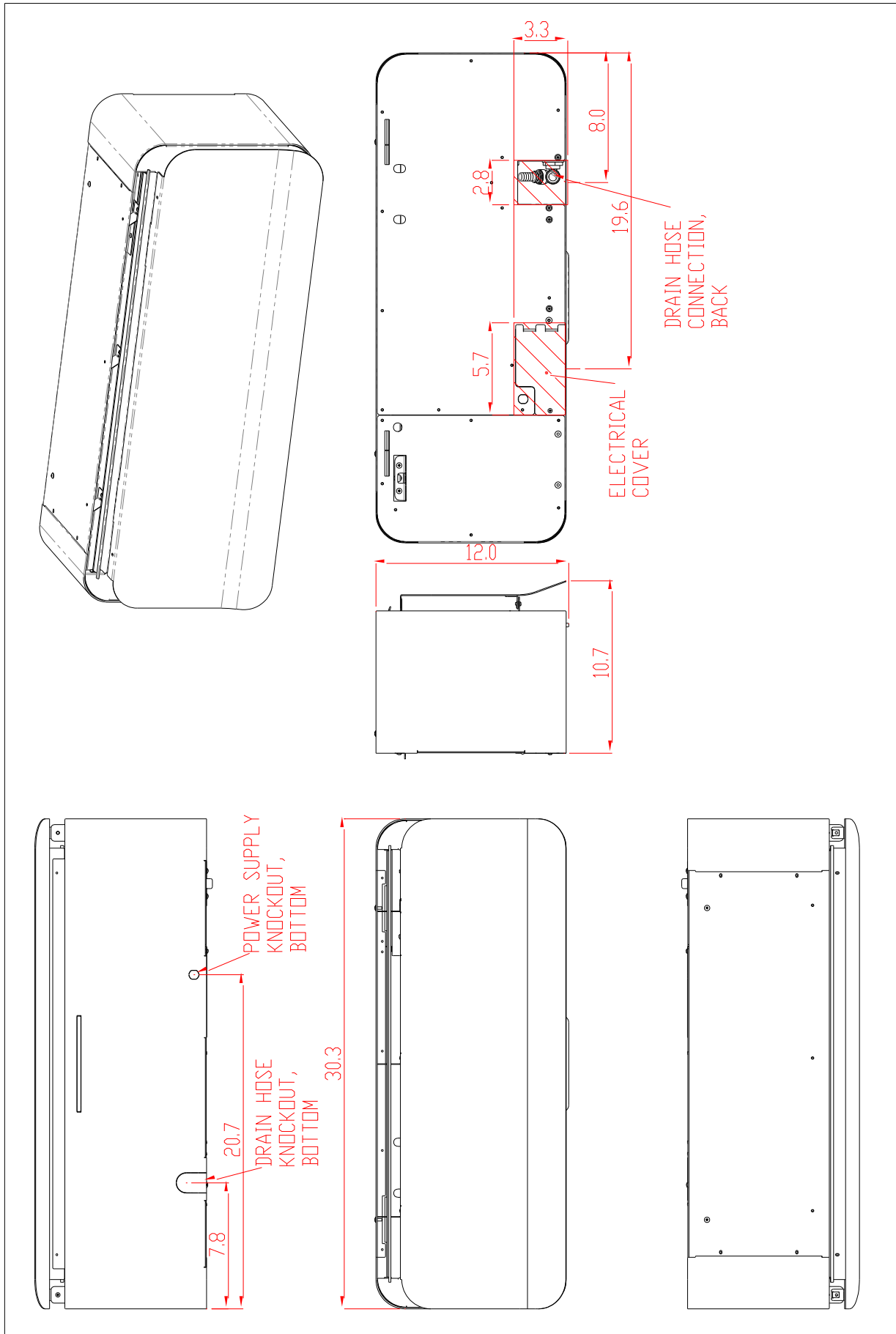
<b>I</b>	Day/Night. Special function to reduce noise by lowering the fan speed. If the night mode is activated (moon icon illuminated) the fan speed reduces.
<b>L</b>	Access to active alarms menu
<b>M</b>	Access to time programming menu. This allows you to set it to set the unit to turn on and off at a certain time.
<b>N</b>	Access LED management menu. This allows you to turn the LED's "ON" or "OFF". Choose between Custom or Probe modes. Custom allows you full control of the LEDs. Probe leaves control to the system.

## TECHNICAL AND PERFORMANCE DATA

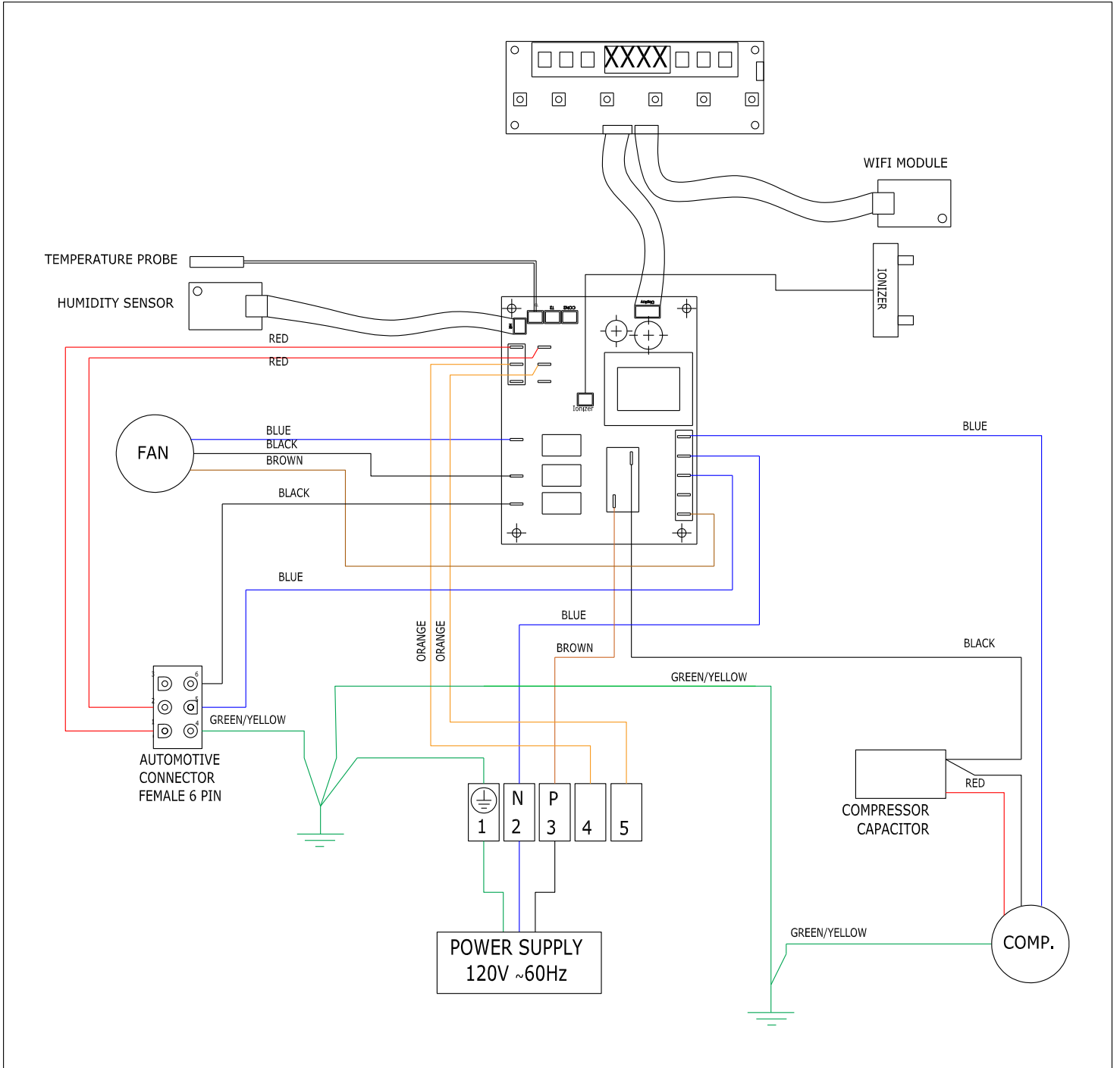
---

Mod.	HWD-45
Power supply	120V ~60Hz
Rated Aver. Power Consumpt. (at 80°F, 60%)	325 W
Max Power Consumption (at 100°F,98%)	413 W
Max. Absorbed Current (at 100°F, 98%) F.L.A	4,3 A
Locked Rotor Current L.R.A.	12,6 A
Water removal capacity (at 80°F, 60%)	41,5 ppd
Energy efficiency (at 80°F, 60%)	5,3 pt/kWh
Enviroment surface	1500 sqft
Suond Pressure Level (at 3 mts in free field)	44 db (A)
Refrigerant	R513a
Defrosting Control System	Electronic
Functioning Temperature Range	45 - 100 °F
Functioning Relative Humidity Range	30 - 98 %
Weight (without pump)	50,7 lb
Dimensions LxWxH	30.3"x10.7"x11.9"

# DIMENSIONAL DRAWINGS



# ELECTRICAL SCHEMATIC





## 5 Year Warranty

Innovative Dehumidifier Systems warrants the equipment to be free from defects in workmanship and materials for a period of 60 months after shipment. This warranty is limited, however, to the repair or replacement of defective equipment at the manufacturer's discretion. If it is necessary to return unit for service, customer is solely responsible for proper packaging and transportation costs to and from the service center. Customer must initiate warranty process by contacting IDS. Do not send any component or product back to IDS without a Return Material Authorization.

This limited warranty does not apply to any part or component that is damaged in transit or when handling, during installation, has been subject to misuse, has not been installed, operated or serviced according to the Seller's instructions, or has been operated beyond the seller's – rated capacity or has been altered in any way. Routine maintenance is not covered by this warranty. Lack of proper maintenance voids this warranty.

This warranty does not cover corrosion, freezing or acts of nature – flooding, fire, water damage, power surges, and hurricane or storm damage.

Seller's liability is limited to replacement of defective parts or components and does not include any cost of labor (including, but not limited to, labor to remove and/or reinstall any defective part), refrigerant or piping. Customer may elect to have unit fixed locally with prior authorization in which case required replacement parts will be sent to customer at customer's expense.

IDS shall not be responsible for loss of use of any product, loss of time, inconvenience, or damage to other equipment, or any other indirect or consequential damage with respect to property whether as a result of breach of warranty, neglect, or otherwise.

THE WARRANTIES AND LIABILITIES SET FORTH ARE IN LIEU OF ALL OTHER WARRANTIES EXPRESSED OR IMPLIED, IN LAW OR IN FACT, INCLUDING IMPLIED WARRANTIES OF MERCHANTABILITY AND FITNESS FOR PARTICULAR PURPOSE. IDS total liability, regardless of nature of claim shall not exceed original purchase price of the product. If a product or component is replaced while under warranty, the applicable warranty period shall not be extended beyond the original warranty time period.

The foregoing shall constitute the total liability of seller in the case of defective performance of all or any of the equipment or services provided to Buyer. Buyer agrees to accept and hereby accepts the foregoing as the sole and exclusive remedy for any breach or alleged breach of warranty by Seller.

4540 W. 160<sup>th</sup> Street, Cleveland, OH 44135 (910) 579-3348 HumidityHappens.com