



## SPLIT-TYPE AIR CONDITIONERS

**MSZ-GX18NL MSZ-GX24NL MSZ-GX30NL MSZ-GX36NL**  
**MSY-GX18NL MSY-GX24NL MSY-GX30NL MSY-GX36NL**



### INSTALLATION MANUAL

For **INSTALLER**

- When installing multi units, refer to the installation manual of the multi unit for outdoor unit installation.

### MANUAL DE INSTALACIÓN

PARA EL **INSTALADOR**

- Al instalar unidades múltiples, consulte el manual de instalación de la unidad múltiple para obtener información sobre la instalación de la unidad exterior.

### NOTICE D'INSTALLATION

POUR L'**INSTALLATEUR**

- Lors de l'installation d'unités multiples, consultez la notice d'installation des unités externes multiples.

**English**

**Español**

**Français**

**CONTENTS**





1. BEFORE INSTALLATION ..... 1  
 2. INDOOR UNIT INSTALLATION ..... 6  
 3. OUTDOOR UNIT INSTALLATION ..... 9  
 4. PURGING PROCEDURES, LEAK TEST, AND TEST RUN .....11  
 5. CONNECTION SETUP OF THE WIRELESS LAN MODULE .....12  
 6. RELOCATION AND MAINTENANCE ..... 13  
 7. CONNECTING THE INTERFACE/CONNECTOR CABLE TO THE AIR CONDITIONER ..... 14  
 8. REFRIGERANT SENSOR INSTALLATION AND REPLACEMENT ..... 15

**Required Tools for Installation**

Phillips head screwdriver	5/32 in. (4 mm) hexagonal wrench
Level	Flare tool for R410A/R454B
Scale	Gauge manifold for R410A/R454B
Utility knife or scissors	Vacuum pump for R410A/R454B
3 in. (75 mm) hole saw	Charge hose for R410A/R454B
Torque wrench	Pipe cutter with reamer
Wrench (or spanner)	

**1. BEFORE INSTALLATION**

**MEANINGS OF SYMBOLS DISPLAYED ON INDOOR UNIT AND/OR OUTDOOR UNIT**

	<b>WARNING</b> (Risk of fire)	This unit uses a flammable refrigerant. If refrigerant leaks and comes in contact with fire or heating part, it will create harmful gas and there is risk of fire.
	Read the OPERATING INSTRUCTIONS carefully before operation.	
	Service personnel are required to carefully read the OPERATING INSTRUCTIONS and INSTALLATION MANUAL before operation.	
	Further information is available in the OPERATING INSTRUCTIONS, INSTALLATION MANUAL, and the like.	

**1-1. THE FOLLOWING SHOULD ALWAYS BE OBSERVED FOR SAFETY**

- Be sure to read these safety precautions and instructions.
- Be sure to observe the warnings and cautions specified here.
- Before starting the connection setup of the Wireless LAN module, check the safety precautions in OPERATING INSTRUCTIONS of the room air conditioner.
- After reading this manual, be sure to store it with the OPERATING INSTRUCTIONS for future reference.
- Please report to your supply authority or obtain their consent before connecting this equipment to the power supply system.

**⚠ WARNING (Could lead to death or serious injury.)**

- **Do not install the unit by yourself (user).**  
Improper or incomplete installation could cause fire, electric shock, injury due to the unit falling, or water leakage. Consult a qualified installer or the dealer from whom you purchased the unit.
- **Follow the instructions detailed in the installation manual.**  
Incomplete installation could cause fire or electric shock, injury due to the unit falling, or leakage of water.
- **When installing the unit, use appropriate protective equipment and tools for safety.**  
Failure to do so could cause injury.
- **Install the unit securely in a place that can bear the weight of the unit.**  
If the installation location cannot bear the weight of the unit, the unit could fall causing injury.
- **Do not alter the unit.**  
It may cause fire, electric shock, injury or water leakage.
- **Perform electrical work according to the installation manual and be sure to use an exclusive circuit. Do not connect other electrical appliances to the circuit.**  
If the capacity of the power circuit is insufficient or there is incomplete electrical work, it could result in a fire or an electric shock.
- **Ground the unit correctly.**  
Do not connect the ground wire to a gas pipe, water pipe, lightning rod or telephone ground. Defective grounding could cause electric shock.
- **Do not damage the wires.**  
Damaged wires could cause fire.
- **Be sure to shut off the main power when setting up the indoor P.C. board or wiring.**  
Failure to do so could cause electric shock.
- **Use the specified wires to securely connect the indoor and outdoor units. Attach the wires firmly to avoid applying stress to the terminal block.**  
Improper connection could cause fire.
- **Do not install the unit in a place where flammable gas may leak.**  
If gas leaks and accumulates around the unit, it could cause an explosion.
- **Do not use intermediate connection of the power cord or the extension cord. Do not connect many devices to one AC outlet.**  
It could cause a fire or an electric shock.
- **Use the parts provided or specified parts for the installation work.**  
The use of defective parts could cause an injury or leakage of water due to a fire, an electric shock, the unit falling, etc.
- **When plugging the power supply plug into the outlet, make sure that there is no dust, blockage, or loose parts both in the outlet and on the plug. Verify that the power supply plug is completely in the outlet.**  
If there is dust, blockage, or loose parts on the power supply plug or the outlet, it could cause electric shock or fire. If loose parts are found on the power supply plug, replace it.
- **Securely attach the electrical cover to the indoor unit and the service panel to the outdoor unit.**  
If the electrical cover of the indoor unit and/or the service panel of the outdoor unit are not attached securely, dust, water, etc. could collect in the unit and could cause a fire or an electric shock.
- **When installing, relocating, or servicing the unit, make sure that no substance other than the specified refrigerant (R454B) enters the refrigerant circuit.**  
Any presence of foreign substance such as air can cause abnormal pressure rise and may result in explosion or injury. The use of any refrigerant other than that specified for the system will cause mechanical failure, system malfunction, or unit breakdown. In the worst case, this could lead to a serious impediment to securing product safety.
- **Do not discharge the refrigerant into the atmosphere. Check that the refrigerant gas does not leak after installation has been completed. If refrigerant leaks during installation, ventilate the room.**  
If refrigerant comes in contact with a fire, harmful gas could be generated. If refrigerant gas leaks indoors, and comes into contact with the flame of a fan heater, space heater, stove, etc., harmful gases will be generated.
- **Use appropriate tools and piping materials for installation.**  
The pressure of R454B is 1.6 times higher than R22. Not using the appropriate tools and materials, or improper installation could cause the pipes to burst causing an injury.
- **When pumping down the refrigerant, stop the compressor before disconnecting the refrigerant pipes.**  
If the refrigerant pipes are disconnected while the compressor is running and the stop valve is open, air could be drawn in and the pressure in the refrigeration cycle could become abnormally high, causing the pipes to burst.
- **When installing the unit, securely connect the refrigerant pipes before starting the compressor.**  
If the compressor is started before the refrigerant pipes are connected and the stop valve is open, air could be drawn in and the pressure in the refrigeration cycle could become abnormally high, causing the pipes to burst.

**⚠ WARNING** (Could lead to death or serious injury.)

- **Fasten a flare nut with a torque wrench as specified in this manual.**  
If fastened too tight, a flare nut could break and cause refrigerant leakage.
- **Install the unit according to national wiring regulations.**
- **When opening or closing the valve below freezing temperatures, refrigerant may spurt out from the gap between the valve stem and the valve body, resulting in injuries.**
- **Exercise caution when using any auxiliary heat source and follow all third party manufacturer instructions and safety guidelines for installation and usage.**  
Any auxiliary heat source connected to this unit via the CN24 connection must have an independent temperature control mechanism. Failure to install and maintain such temperature control mechanism may void the warranty for this unit.  
Mitsubishi Electric shall not bear any warranty obligation or other liability for any damage or loss in connection with such third party auxiliary heaters.
- **When using a gas burner or other flame-producing equipment, completely remove all of the refrigerant from the air conditioner and ensure that the area is well-ventilated.**  
If the refrigerant leaks and comes in contact in fire or heating part, it will create harmful gas and there is risk of fire.
- **Do not use means to accelerate the defrosting process or to clean, other than those recommended by the manufacturer.**
- **The appliance shall be stored in a room without continuously operating ignition sources (for example: open flames, an operating gas appliance or an operating electric heater).**
- **Do not pierce or burn.**
- **Be aware that refrigerants may not contain an odour.**
- **Pipe-work shall be protected from physical damage.**
- **The installation of pipe-work shall be kept to a minimum.**
- **Compliance with national gas regulations shall be observed.**
- **Keep any required ventilation openings clear of obstruction.**
- **Pipe-work including piping material, pipe routing, and installation shall include protection from physical damage in operation and service, and be in compliance with national and local codes and standards, such as ASHRAE 15, ASHRAE 15.2, IAPMO Uniform Mechanical Code, ICC International Mechanical Code, or CSA B52.**
- **All field joints shall be accessible for inspection prior to being covered or enclosed.**

- **The installation of pipe-work shall be kept to a minimum.**
- **Do not remove RED MARKING near the pipe connection part.**

**Ventilated area**

- **Ensure that the area is in the open or that it is a adequately ventilated before breaking into the system or conducting any hot work. A degree of ventilation shall continue during the period that the work is carried out. The ventilation should safely disperse any released refrigerant and preferably expel it externally into the atmosphere.**

**For Wireless LAN module**

- **Do not install the indoor unit equipped with the Wireless LAN module nearby the automatic control devices such as automatic doors or fire alarms.**  
It can cause accidents due to malfunctions.
- **Do not use the indoor unit equipped with the Wireless LAN module nearby the medical electrical equipment or people who have a medical device such as a cardiac pacemaker or an implantable cardioverter-defibrillator.**  
It can cause an accident due to malfunctions of the medical equipment or device.
- **This indoor unit equipped with the Wireless LAN module should be installed and operated with a minimum distance of 8 in. (20 cm) between the device and the user or bystanders.**

**For system with branch box**

- **Do not turn the breaker OFF except the case of burning smell, or when performing maintenance or inspection.**  
The power cannot be supplied to the refrigerant sensor mounted in the indoor unit, and the sensor cannot detect the refrigerant leakage. This may cause a fire.

**⚠ CAUTION** (Could lead to serious injury when operated incorrectly.)

- **Depending on the installation area, install a Ground Fault Interrupt (GFI) circuit breaker.**  
If the Ground Fault Interrupt (GFI) circuit breaker is not installed, an electric shock could occur.
- **Perform the drainage/piping work securely according to the installation manual.**  
If there is defect in the drainage/piping work, water could drip from the unit, and damage household items.
- **Do not touch the air inlet or the aluminum fins of the outdoor unit.**  
This could cause injury.
- **Please wear protective equipment when you touch the base of the outdoor unit.**  
It could cause injury if you do not wear the protective equipment.
- **Do not install the outdoor unit where small animals may live.**  
If small animals enter the unit and damage its electrical parts, it could cause a malfunction, smoke emission, or fire. Keep the area around the unit clean.

**For Wireless LAN module**

- **To prevent damage from static electricity, touch a nearby metal body to discharge static electricity from yourself before touching the indoor unit equipped with the Wireless LAN module.**  
Static electricity from the human body may damage the Wireless LAN module unit.
- **Do not use the indoor unit equipped with the Wireless LAN module nearby other wireless devices, microwaves, cordless phones, or facsimiles.**  
It can cause malfunctions.
- **The End user should read and accept the terms and conditions of the Wireless LAN service before commencement of the installation of this indoor unit equipped with the Wireless LAN module.**

**For system with branch box**

- **Do not install the unit in a place where smoke, gas, or chemicals may fill.**  
The refrigerant sensor mounted in the indoor unit may react to it, and display an error of refrigerant leakage.
- **Be careful of the fan rotation when the breaker is ON.**  
When the refrigerant sensor detects the refrigerant leakage, the fan starts rotating automatically. This may cause injury.
- **When using any aerosol sprays for interior construction, finishing work, or sealing a wall hole, turn off the breaker and ventilate the room well. The refrigerant sensor may react to the gas in the sprays, and it may cause misdetection.**

## 1-2. SELECTING THE INSTALLATION LOCATION

### INDOOR UNIT

#### ⚠️ ⚡ WARNING

- The mounting height of indoor unit shall be 5.9 ft (1.8 m) or more from the floor. Up to 7.5 ft (2.3 m) is recommended.
- The unit shall be installed in rooms exceed the minimum room area ( $A_{min}$ ) determined by total refrigerant amount (M).

#### SYSTEM WITHOUT BRANCH BOX

M		$A_{min}$	
[kg]	[lbs, oz]	[m <sup>2</sup> ]	[ft <sup>2</sup> ]
0.5	1 1	1.9	21
0.6	1 5	2.3	25
0.7	1 8	2.6	28
0.8	1 12	3.0	33
0.9	1 15	3.4	37
1.0	2 3	3.8	41
1.1	2 6	4.1	45
1.2	2 10	4.5	49
1.3	2 13	4.9	53
1.4	3 1	5.2	56
1.5	3 4	5.6	61
1.6	3 8	6.0	65
1.7	3 11	6.3	68
1.8	3 15	6.8	74
1.9	4 3	7.2	78
2.0	4 6	7.6	82
2.1	4 10	7.9	86
2.2	4 13	8.3	90
2.3	5 1	8.7	94
2.4	5 4	9.1	98
2.5	5 8	9.4	102
2.6	5 11	9.8	106
2.7	5 15	10.2	110
2.8	6 2	10.6	115

#### SYSTEM WITH BRANCH BOX

Refer to the installation manual of the multi unit.

- Where airflow is not blocked.
- Where cool (or warm) air spreads over the entire room.
- On a rigid wall to reduce the possibility of vibration.
- Where it is not exposed to direct sunlight. Do not expose to direct sunlight also during the period following unpacking to before use.
- Where it can be easily drained.
- At a distance 3 ft (1 m) or more away from a TV and radio. Operation of the air conditioner may interfere with radio or TV reception. An amplifier may be required for the affected device.
- In a place as far away as possible from fluorescent and incandescent lights (so the infrared remote control can operate the air conditioner normally).
- Where the air filter can be removed and replaced easily.
- Where it is away from the other heat or steam source.

#### For Wireless LAN module

- Please ensure that the Router supports the WPA2-AES encryption setting before commencement of the installation of this indoor unit equipped with the Wireless LAN module.
- This indoor unit equipped with the Wireless LAN module interface should not be installed and connected to any Mitsubishi Electric system which is to provide application critical cooling or heating.

#### For system with branch box

- Do not install the unit in the environment where any gas equipment for propane, butane or methane, sprays such as bug killer, equipment which generates smoke, paint etc., and chemicals are used, or in the place where sulfur-based gas is generated.
- The refrigerant sensor mounted in the indoor unit may react to them, and display an error of refrigerant leakage. This may cause the unit not to operate.

#### Note:

Install the indoor unit high on the wall where air can distribute over the entire room.

### REMOTE CONTROLLER

- Where it is convenient to operate and easily visible.
- Where children cannot easily touch it.
- Select a position about 4 ft (1.2 m) above the floor. Check that signals from the remote controller from that position are received by the indoor unit ('beep' or 'beep beep' receiving tone sounds). When the remote controller holder is supplied, install it at a position from which the indoor unit can receive signals.

#### Note:

In rooms where inverter type fluorescent lamps are used, the signal from the wireless remote controller may not be received.

### OUTDOOR UNIT

- Where it is not overly exposed to strong winds. If the outdoor unit with defrosting function is exposed to a wind, the defrosting time will be longer.
- Where airflow is good and dustless.
- Where neighbours are not annoyed by operation sound or hot (or cool) air.
- Where rigid wall or support is available to prevent the increase of operation sound or vibration.
- Where there is no risk of combustible gas leakage.
- If installing the unit in a location high above the ground, be sure to secure the unit legs.
- Where it is at least 10 ft (3 m) away from the antenna of TV set or radio. Operation of the air conditioner may interfere with radio or TV reception in areas where reception is weak. An amplifier may be required for the affected device.
- Install the unit horizontally.
- Please install it in an area not affected by snowfall or blowing snow. In areas with heavy snow, please install a canopy, a pedestal and/or baffle boards.

#### Note:

- It is advisable to make a piping loop near outdoor unit so as to reduce vibration.
- For increased efficiency, install the outdoor unit in a location where continuous direct sunlight or excessive water can be avoided as much as possible.

#### Note:

When operating the air conditioner in low outside temperature, be sure to follow the instructions described below.

- Never install the outdoor unit in a place where its air inlet/outlet side may be exposed directly to wind.
- To prevent exposure to wind, install the outdoor unit with its air inlet side facing the wall and a baffle board on the air outlet side.

Avoid the following places for installation where air conditioner trouble is liable to occur.

- Where flammable gas could leak.
- Where there is an excessive amount of machine oil in the air.
- Where oil is splashed or where the area is filled with oily smoke (such as cooking areas and factories, in which the properties of plastic could be changed and damaged).
- Salty places such as the seaside.
- Where sulfide gas is generated such as a hot spring, sewage, waste water.
- Where there is high-frequency or wireless equipment.
- Where there is emission of high levels of VOCs, including phthalate compounds, formaldehyde, etc., which may cause chemical cracking.
- The appliance shall be stored so as to prevent mechanical damage from occurring.

### 1-3. SPECIFICATIONS

#### 1-3-1. POWER SUPPLY AND INDOOR/OUTDOOR WIRE CONNECTION

- Power should be taken from an exclusive branched circuit.
- Wiring work should be based on applicable technical standards.
- Wiring connections should be made following the diagram.
- Securely tighten screws.

##### Connecting wires and the ground wire

- Use solid conductor Min. AWG14 or stranded conductor Min. AWG14.
- Use double insulated copper wire with 600 V insulation.
- Use copper conductors only.
- \* Follow local electrical codes.

##### Power supply cable and ground wire

- Use solid or stranded conductor: Min. AWG10
- Use copper conductors only.
- \* Follow local electrical codes.

##### Note:

When the indoor unit is powered from the outdoor unit, depending on local code, a disconnect switch needs to be installed to a power supply circuit.

#### 1-3-2. REFRIGERANT PIPES

- To prevent condensation, insulate the two refrigerant pipes.



##### CAUTION

Be sure to use the insulation of specified thickness (table on the right). Excessive insulation may cause incorrect installation of the indoor unit, and too little insulation may cause condensate to form.

- Refrigerant pipe bending radius must be 4 in. (100 mm) or more.
- The unit has flared connections on both indoor and outdoor sides.
- Remove the valve cover from the outdoor unit, then connect the pipe.
- Refrigerant pipes are used to connect the indoor and outdoor units.
- Be careful not to crush or over bend the pipe in pipe bending.
- Refrigerant adjustment... If pipe length exceeds chargeless pipe length, additional refrigerant (R454B) charge is required. Refer to the following table.
- Please carefully consider the indoor unit location when piping lengths are less than 16 ft (5 m) as there could be intermittent noises during normal operation that would be noticeable in very quiet environments.

\*1 When installing multi units, refer to the installation manual of the multi outdoor unit for unit installation.

##### Refrigerant adjustment \*1

Chargeless pipe length A	50 ft (15 m)
Refrigerant adjustment B	0.22 oz/ft (20 g/m)
Additional refrigerant	Pipe length up to A : No need Pipe length exceeds A : B × (pipe length - A)

##### Electrical specifications

MODEL	INDOOR	MSZ-GX18NL MSY-GX18NL		MSZ-GX24NL MSY-GX24NL		MSZ-GX30NL MSY-GX30NL	MSZ-GX36NL MSY-GX36NL
	OUTDOOR	MUZ-GX18NL(H) MUY-GX18NL	MUZ-GX18NLHZ	MUZ-GX24NL(H) MUY-GX24NL	MUZ-GX24NLHZ	MUZ-GX30NL(H) MUY-GX30NL	MUZ-GX36NL(H) MUY-GX36NL
<b>INDOOR UNIT</b>							
Power supply (V, PHASE, Hz)		208/230, 1, 60					
Min. Circuit Ampacity (A)		1					
<b>OUTDOOR UNIT</b>							
Power supply (V, PHASE, Hz)		208/230, 1, 60					
Max. Fuse size (time delay) (A)		25	25	25	25	25	25
Min. Circuit Ampacity (A)		23	23	23	23	NL : 23 NLH : 24	NL : 23 NLH : 24
Control voltage		Indoor unit - Remote controller: (Wireless)					

Pipe		Outside diameter	Minimum wall thickness	Insulation thickness	Insulation material
		in. (mm)			
For liquid		1/4 (6.35)	0.0315 (0.8)	5/16 (8)	Heat resistant foam plastic 0.045 Specific gravity
For gas	GX18	1/2 (12.7)	0.0315 (0.8)	5/16 (8)	
	GX24/30/36	5/8 (15.88)	0.0394 (1.0)	5/16 (8)	

##### Limitation of extension pipe \*1

Max. pipe length	100 ft (30 m)
Max. height difference	50 ft (15 m)
Max. number of bends	10

# 1-4. INSTALLATION DIAGRAM

## ACCESSORIES

Check the following parts before installation.  
<Indoor unit>

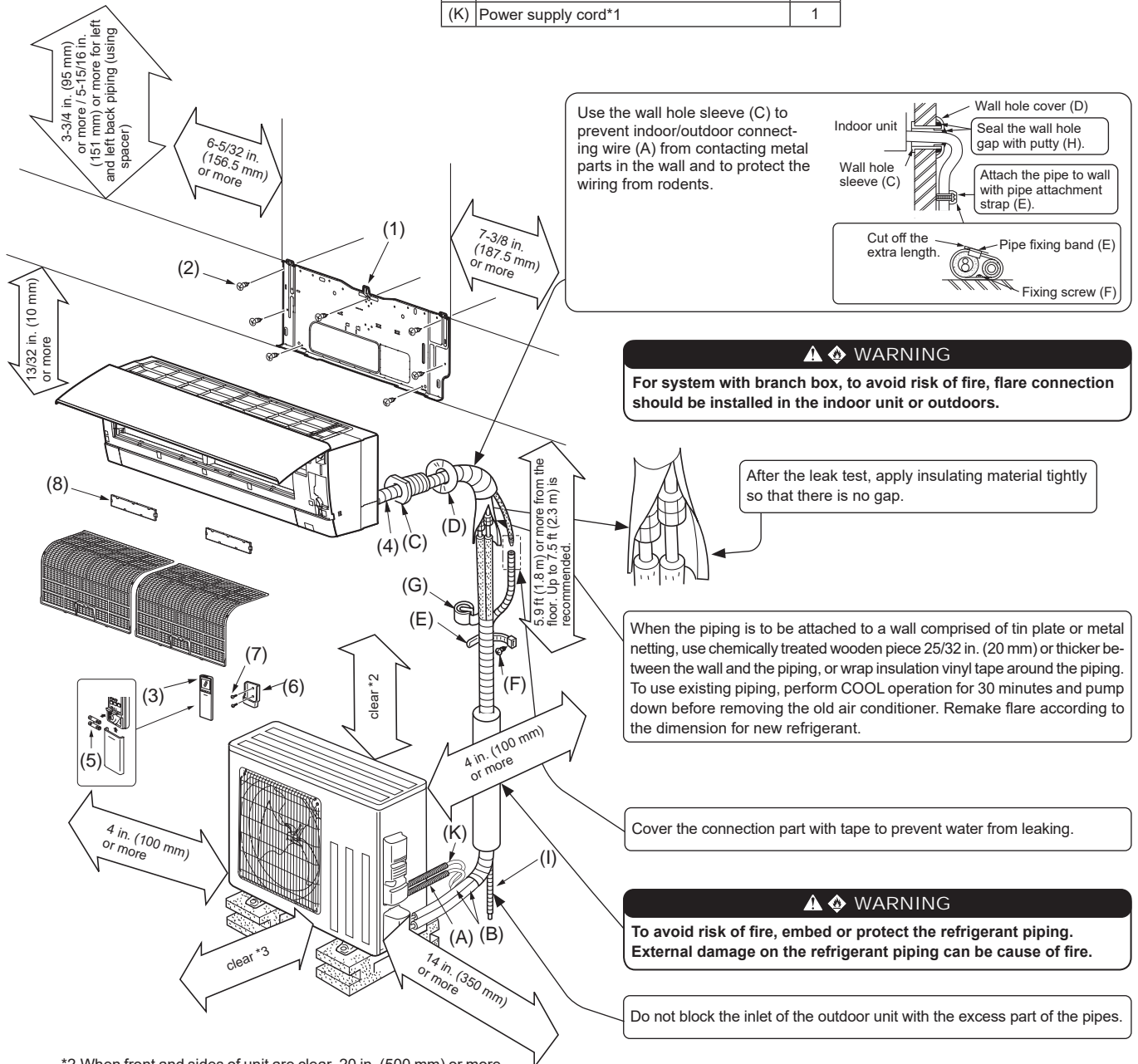
(1)	Installation plate	1
(2)	Installation plate fixing screw 4 × 25 mm	7
(3)	Wireless remote controller	1
(4)	Felt tape (For left or left-rear piping)	1
(5)	Battery (AAA) for (3)	2
(6)	Remote controller holder	1
(7)	Screws for the remote controller holder (6) 3.5 × 16 mm (Black)	2
(8)	Air cleaning filter	2

## FIELD-SUPPLIED PARTS

(A)	Indoor/outdoor unit connecting wire*1	1
(B)	Extension pipe	1
(C)	Wall hole sleeve	1
(D)	Wall hole cover	1
(E)	Pipe fixing band	2 to 5
(F)	Fixing screw for (E) 4 × 20 mm	2 to 5
(G)	Piping tape	1
(H)	Putty	1
(I)	Drain hose (or soft PVC hose, 15 mm inner diameter or hard PVC pipe VP30)	1
(J)	Drain hose (or soft PVC hose, 15 mm inner diameter or hard PVC pipe VP16)	0 or 1
(K)	Power supply cord*1	1

### Note:

\*1 Place indoor/outdoor unit connecting wire (A) and power supply cord (K) at least 3 ft (1 m) away from the TV antenna wire.



\*2 When front and sides of unit are clear, 20 in. (500 mm) or more  
\*3 When any 2 sides of left, right and rear of unit are clear, 20 in. (500 mm) or more

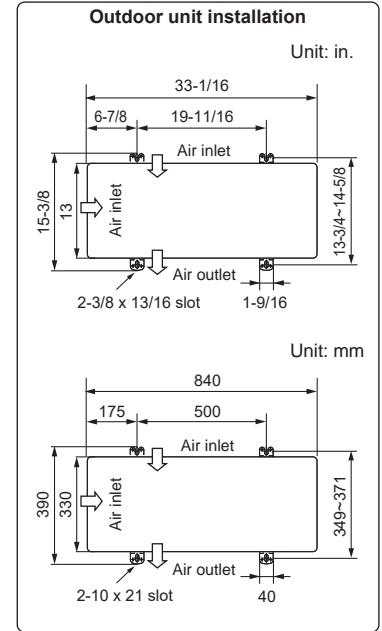
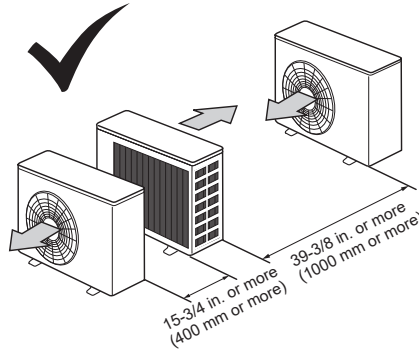
### IMPORTANT NOTES

Check that cabling will not be subject to wear, corrosion, excessive pressure, vibration, sharp edges or any other adverse environmental effects. The check shall also take into account the effects of aging or continual vibration from sources such as compressors or fans.

Units should be installed by licensed contractor according to local code requirements.

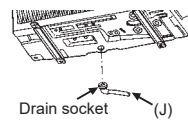
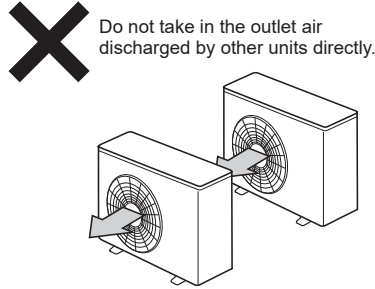
**Note:**

- The dimensions indicated in the arrows ( $\leftrightarrow$ ) above show the required space to guarantee performance of the air conditioner. Install the outdoor unit where the maximum possible space can be provided, considering later relocation, services, or repairs.
- The cooling/heating performance and the efficiency of power usage may fall about 10% at the place where short cycle is likely occur due to poor ventilation. Installing the air outlet guide (optional) can improve performances.
- If air from the outlet blows against the wall, it may cause stains on the wall.



**Drain piping for outdoor unit**

Install the unit horizontally. Do not use drain socket in cold regions. Drain may freeze and make the fan stop. The outdoor unit produces condensate during the heating operation. Select the installation place to ensure to prevent the outdoor unit and/or the grounds from being wet by drain water or damaged by frozen drain water.



**Drain piping for outdoor unit**

- Drain socket is optional part.
- Provide drain piping before indoor and outdoor piping connection.
- Connect drain hose (J) I.D. 15 mm as shown in the illustration.
- Make sure to provide drain piping with a downhill grade for easy drain flow.

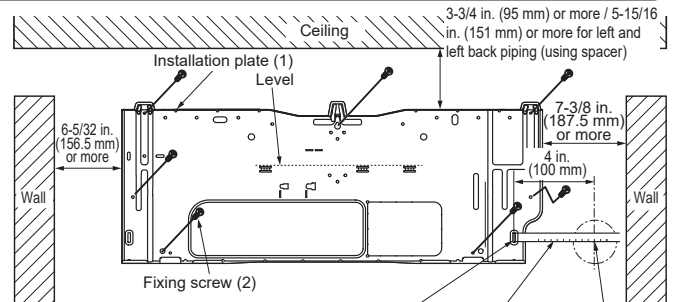
**Note:**

Install the unit horizontally. Do not use drain socket in cold regions. Drain may freeze and make the fan stop. The outdoor unit produces condensate during the heating operation. Select the installation place to ensure to prevent the outdoor unit and/or the grounds from being wet by drain water or damaged by frozen drain water.

**2. INDOOR UNIT INSTALLATION**

**2-1. ATTACHING THE INSTALLATION PLATE**

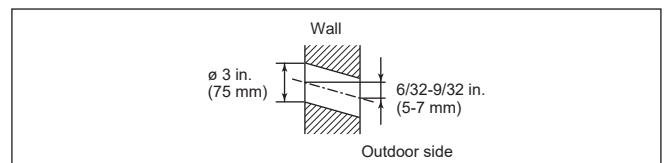
- Find a stud in the wall to attach installation plate (1) horizontally by tightening the fixing screws (2) firmly.
- To prevent installation plate (1) from vibrating, be sure to install the attachment screws in the holes indicated in the illustration. For added support, additional screws may also be installed in other holes.
- When the knockout is removed, apply vinyl tape to the knockout edges to prevent damaging the wires.
- When the indoor unit is to be attached to a concrete wall using recessed bolts, secure installation plate (1) using 7/16 in. x 13/16 in. · 7/16 in. x 1 in. (11 mm x 20 mm · 11 mm x 26 mm) oval hole (17-3/4 in. [450 mm] pitch).
- If the recessed bolt is too long, change it for a shorter one (field-supplied).



Insert the scale. \*  
Align the scale with the line. \*  
Center of  $\varnothing$  3 in. (75 mm) hole  
\* Same for left hole.

**2-2. DRILLING**

- 1) Determine where the holes will be located on the wall.
- 2) Drill a  $\varnothing$  3 in. (75 mm) hole. The outdoor side should be 6/32 to 9/32 in. (5 to 7 mm) lower than the indoor side.
- 3) Insert wall hole sleeve (C).



## 2-3. CONNECTING WIRES FOR THE INDOOR UNIT

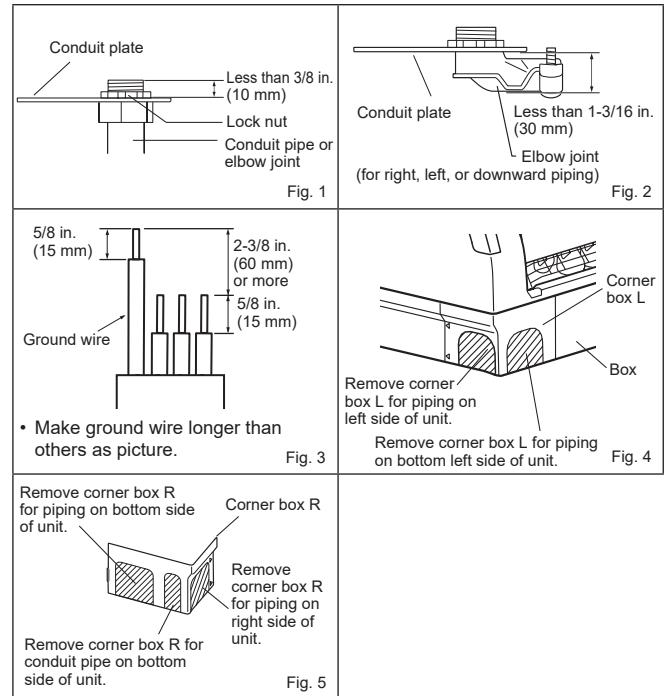
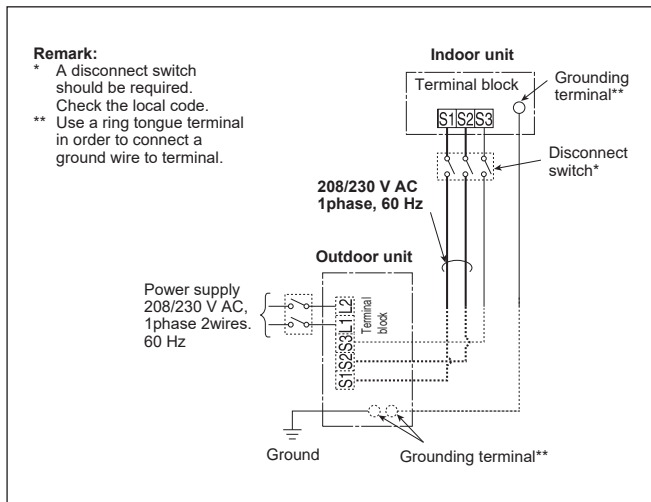
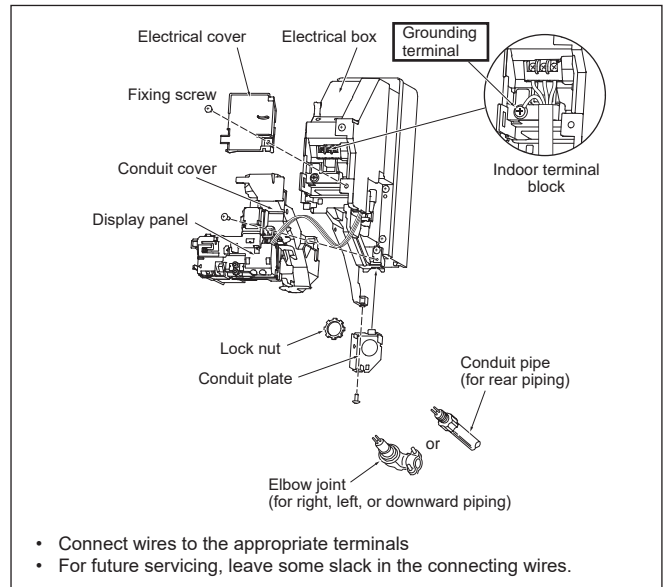
### Note:

When the indoor unit is powered from the outdoor unit, depending on local code, a disconnect switch needs to be installed to a power supply circuit.

- 1) Remove the panel assembly. (Refer to 6-1.)
- 2) Place the upper part of the indoor unit on the installation plate.
- 3) Remove corner box R and electrical cover.
- 4) Remove display panel, conduit cover and conduit plate.
- 5) Attach conduit pipe (for rear piping) / elbow joint (for right, left, or downward piping) to conduit plate with lock nut. The thread of the installed conduit pipe / elbow joint appearing inside should be less than 3/8 in. (10 mm). (Fig. 1) Elbow joint should appear less than 1-3/16 in. (30 mm) outside. (Fig. 2)
- 6) Process the end of ground wire (Fig. 3). Connect it to the ground terminal of electrical parts box.
- 7) Process the end of indoor/outdoor unit connecting wire (A) (Fig. 3). Attach it to the terminal block. Be careful not to make mis-wiring. Attach the wire to the terminal block securely so that its core cannot be seen, and no external force affects the connecting section of the terminal block.
- 8) Firmly tighten the terminal screws. After tightening, verify that the wires are tightly fastened.
- 9) Reinstall conduit plate, conduit cover and display panel.
- 10) According to the piping direction, remove the shaded part of the corner box L (Fig. 4) or corner box R (Fig. 5). Reinstall electrical cover, corner box R and panel assembly.

### IMPORTANT NOTE

For system with branch box, refrigerant sensor shall be installed. See REFRIGERANT SENSOR INSTALLATION AND REPLACEMENT as mentioned later.





## 2-4. PIPE FORMING AND DRAIN PIPING

### 2-4-1. PIPE FORMING

- Place the drain hose below the refrigerant piping.
- Make sure that the drain hose is not crowded or bent.
- Do not pull the hose when applying the tape.
- When the drain hose passes the room, be sure to wrap it with insulation material (field-supplied).

#### Note:

Make sure not to damage the cover of refrigerant pipe when attaching it back on with screws.

#### Left or left-rear piping

##### Note:

Be sure to reattach the drain hose and the drain cap if the piping is being installed on left or bottom left of unit, otherwise, water could drip down from the drain hose.

- Place the refrigerant piping and the drain hose together, then firmly apply felt tape (4) from the end. Felt tape (4) overlap width should be 1/3 the tape width. Use a bandage stopper at the end of felt tape (4).
- Pull out the drain cap at the back right of the indoor unit. (Fig. 1)
  - Hold the convex section at the end and pull the drain cap.
- Pull out the drain hose at the back left of the indoor unit. (Fig. 2)
  - Hold the claw marked by the arrows and pull out the drain hose forward.
- Put the drain cap into the section to which the drain hose is to be attached at the rear of the indoor unit. (Fig. 3)
  - Insert a screwdriver into the hole on the cap and insert the cap fully into the drain pan.
- Insert the drain hose fully into the drain pan at the back right of the indoor unit. (Fig. 4)
  - Check if the hose is hooked securely to the projection of its inserting part at the drain pan.
- Insert the drain hose into wall hole sleeve (C), and attach the upper part of indoor unit onto the installation plate (1). Then, shift the indoor unit completely to the left to make placing the piping in the back of the unit easier.
- Cut out two pieces of cardboard from the shipping box (use any two pieces of the four pieces), roll each piece, hook them onto the back rib, and use them as spacer to lift the indoor unit. (Fig. 5)
- Connect the refrigerant piping with the extension pipe (B).
- Attach the lower part of the indoor unit into the installation plate (1).

#### Rear or bottom piping

- Put the refrigerant piping and the drain hose together, then firmly apply piping tape (G) from the end.
- Insert the piping and the drain hose into the wall hole sleeve (C), and hook the upper part of the indoor unit on the installation plate (1).
- Check if the indoor unit is hooked securely on the installation plate (1) by moving the unit to left and right.
- Thrust the lower part of the indoor unit into the installation plate (1).

#### Right piping

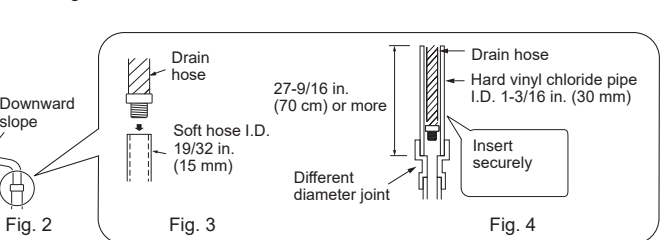
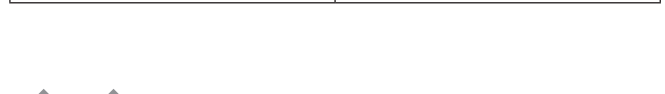
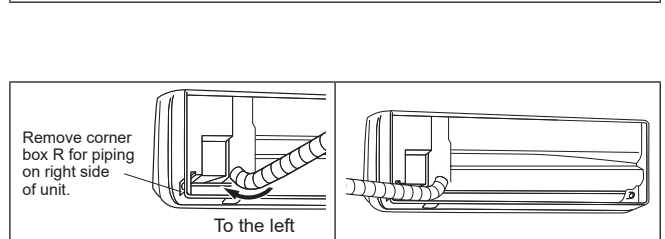
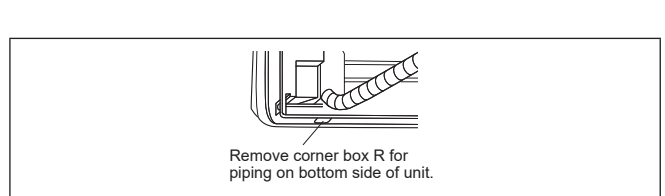
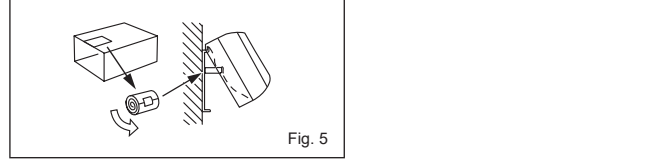
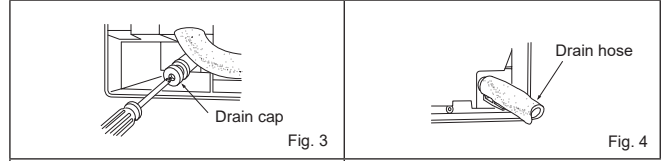
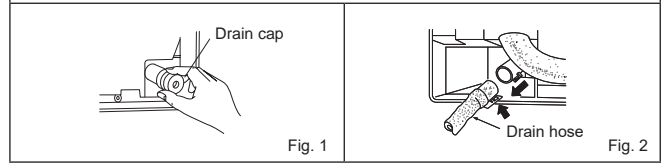
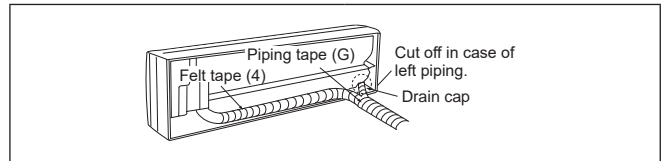
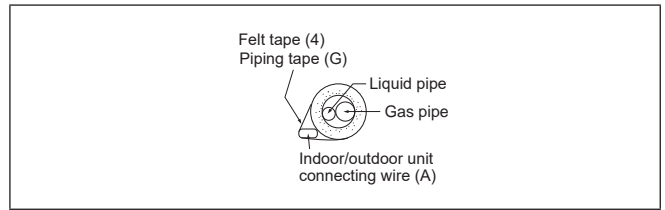
##### Note:

Before performing the following, make sure that wiring is completed, and the conduit cover is installed. (Refer to 2-3.)

- Put the refrigerant piping and the drain hose together, then firmly apply piping tape (G) from the end.
- Insert the piping and the drain hose into the wall hole sleeve (C), and hook the upper part of the indoor unit on the installation plate (1).
- Check if the indoor unit is hooked securely on the installation plate (1) by moving the unit to left and right.
- Thrust the lower part of the indoor unit into the installation plate (1).

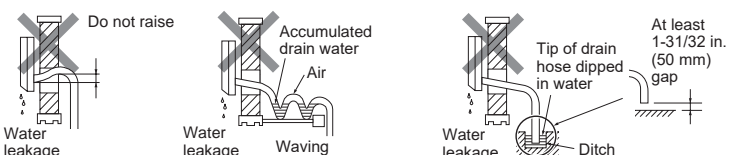
### 2-4-2. DRAIN PIPING

- Do not cut the drain hose of the unit. (Fig. 1)
- If the extension drain hose has to pass through a room, be sure to wrap it with insulation (field-supplied).
- The drain hose should point downward for easy drain. (Fig. 2)
- If the drain hose provided with the indoor unit is too short, connect it with a field-supplied drain hose (I). (Fig. 3)
- When connecting the drain hose to a hard vinyl chloride pipe, be sure to insert it securely into the pipe. (Fig. 4)
- Make sure that no stress is applied to the connecting portion of the drain hose after installing the indoor unit. Otherwise, breakage or water leakage may result.
- Be sure to use the drain hose attached to the indoor unit. Otherwise, water leakage or breakage due to chemical may result.
- Do not apply any agent on the drain port. Doing so may cause breakage.



Do not put the drain pipe directly in a drainage ditch where Ammonia or Sulphuric gas may be generated. The evaporated corrosive gas may return to the indoor side through drain pipe and this may cause an unpleasant odor and corrosion on Heat exchanger may occur.

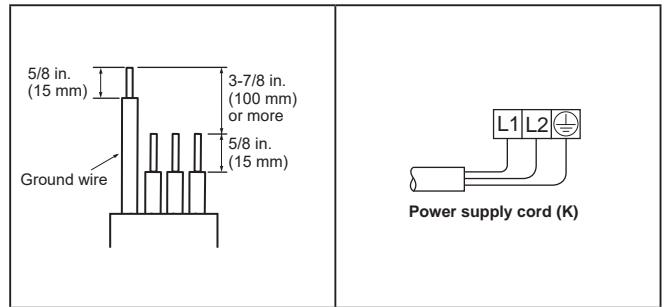
Do not make drain piping as shown below.



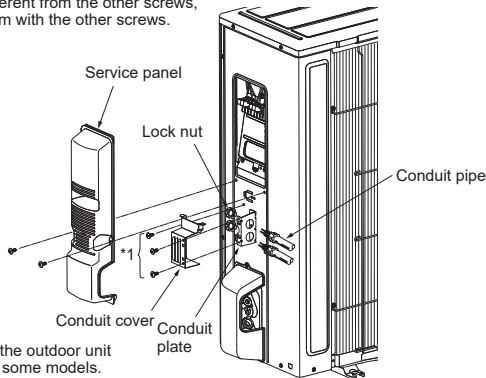
### 3. OUTDOOR UNIT INSTALLATION

#### 3-1. CONNECTING WIRES FOR THE OUTDOOR UNIT

- 1) Remove the service panel.
- 2) Remove the conduit cover.
- 3) Attach the conduit connectors to the conduit plate with lock nuts then secure it against unit with screws.
- 4) Connect the ground wires of indoor/outdoor unit connecting wire (A) and power supply cord (K) to the TB support.
- 5) Loosen the terminal screws, then attach indoor/outdoor unit connecting wire (A) and power supply cord (K) from the indoor unit correctly to the terminal block. Attach the wires to the terminal block securely so that the cores cannot be seen, and no external force affects the connecting section of the terminal block.
- 6) Firmly tighten the terminal screws. After tightening, verify that the wires are tightly fastened.
- 7) Install the conduit cover.
- 8) Install the service panel securely.

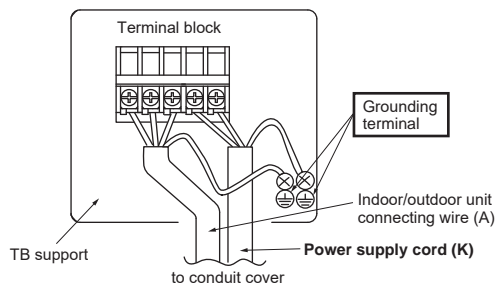


\*1 These can be different from the other screws, so do not mix them with the other screws.



Appearance of the outdoor unit may differ from some models.

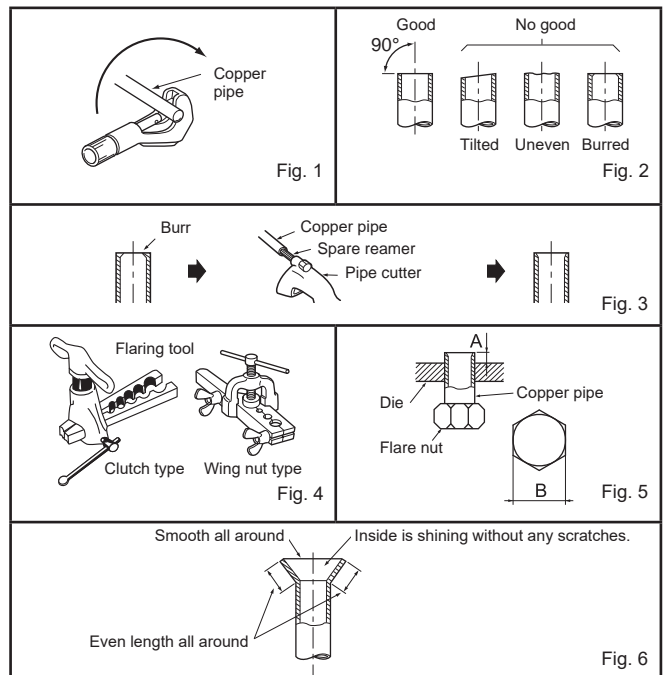
- Make ground wire longer than others as picture.
- For future servicing, leave some slack in the connecting wires.



#### 3-2. FLARE CONNECTION

- 1) Cut the copper pipe as straight as possible with a pipe cutter. (Fig. 1, 2)
- 2) Remove all burrs from the cut section of the pipe, ensuring that precautions are taken to avoid getting metal shavings into the piping. (Fig. 3)
- 3) Remove flare nuts attached to indoor and outdoor units, then put them on pipe.
- 4) Flaring work (Fig. 4, 5). Firmly hold copper pipe in the dimension shown in the table. Select A in. (mm) from the table according to the tool you use.
- 5) Check
  - Compare the flared work with Fig. 6.
  - If flare is defective, cut off the section and repeat procedure.

Pipe diameter in. (mm)	B in. (mm)	A in. (mm)			Tightening torque	
		Clutch type tool for R410A/ R454B	Clutch type tool for R22	Wing nut type tool for R22	ft-lb (kgf·cm)	N·m
ø 1/4 (6.35)	21/32 (17)	0 to 0.02 (0 to 0.5)	0.04 to 0.06 (1.0 to 1.5)	0.06 to 0.08 (1.5 to 2.0)	10 to 13 (140 to 180)	13.7 to 17.7
ø 3/8 (9.52)	7/8 (22)			36 to 42 (350 to 420)	34.3 to 41.2	
ø 1/2 (12.7)	1-1/32 (26)			0.08 to 0.10 (2.0 to 2.5)	49.0 to 56.4	
ø 5/8 (15.88)	1-5/32 (29)			54 to 58 (750 to 800)	73.5 to 78.4	



### 3-3. PIPE CONNECTION

- Fasten flare nut with a torque wrench as specified in the table above.
- When fastened too tight, flare nut may eventually break and cause refrigerant leakage.
- Be sure to wrap insulation around the piping. Direct contact with the bare piping may result in burns or frostbite.

#### Indoor unit connection

Connect both liquid and gas piping to indoor unit.

- Do not apply refrigeration oil on screw threads. Excessive tightening torque will result in damage on the screw.
- To connect, first align the center, then tighten the first 3 to 4 turns of flare nut by hand.
- Use tightening torque table in (3-2.) as a guideline for indoor unit side joints, and tighten using two wrenches. Excessive tightening damages the flare section.

#### Outdoor unit connection

Connect pipes to stop valve pipe joint of the outdoor unit following the same procedure detailed in Indoor unit connection.

- For tightening, use a torque wrench or spanner.

#### ⚠ WARNING

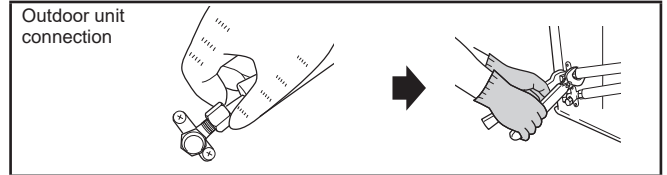
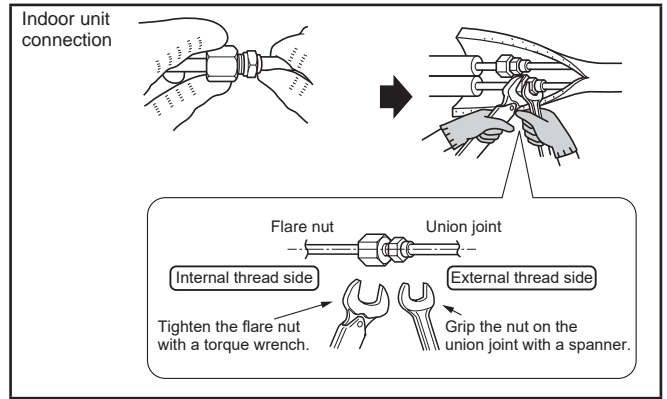
When installing the unit, securely connect the refrigerant pipes before starting the compressor.

### 3-4. REFRIGERANT PIPE NITROGEN PRESSURE TEST METHOD

- 1) Connect the testing tools.
  - Make sure the stop valves are closed and do not open them.
  - Add pressure to the refrigerant lines through the service port of the stop valve for GAS.
- 2) Do not add pressure to the specified pressure all at once; add pressure little by little.
  1. Pressurize to 0.5 MPa (73 psig, 5 kgf/cm2G), wait 5 minutes, and make sure the pressure does not decrease.
  2. Pressurize to 1.5 MPa (218 psig, 15 kgf/cm2G), wait 5 minutes, and make sure the pressure does not decrease.
  3. Pressurize to 4.15 MPa (601 psig, 41.5 kgf/cm2G) and measure the surrounding temperature and refrigerant pressure.
- 3) If the specified pressure holds for 24 Hours and does not decrease, the pipes have passed the test and there are no leaks.
  - If the surrounding temperature changes by 1°F (0.5°C), the pressure will change by about 1 psig (0.007 MPa). Make the necessary corrections.
- 4) If the pressure decreases in steps 2) or 3), there is a gas leak. Look for the source of the gas leak.

### 3-5. INSULATION AND TAPING

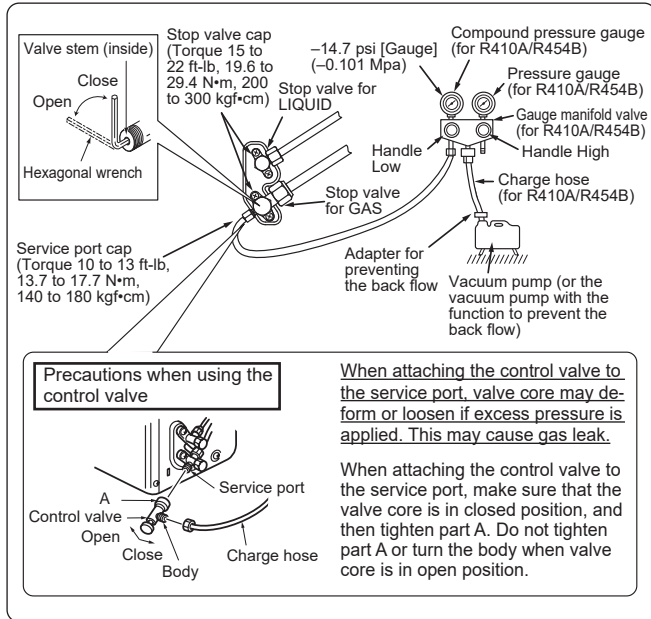
- 1) Cover piping joints with pipe cover.
- 2) For outdoor unit side, insulate the piping, including valves.
- 3) Apply piping tape (G) starting from the connection on the outdoor unit.
  - When piping has to be installed through a ceiling, closet or where the temperature and humidity are high, use additional field-supplied insulation to prevent condensation.



## 4. PURGING PROCEDURES, LEAK TEST, AND TEST RUN

### 4-1. PURGING PROCEDURES AND LEAK TEST

- 1) Remove service port caps from stop valves on both sides of refrigerant lines. (The stop valves are fully closed when shipped.) Leave closed.
- 2) Connect gauge manifold to ports of stop valves.



- 3) Evacuate the system to 4000 microns from both service valves. System manifold gauges must not be used to measure vacuum. A micron gauge must be used at all times. Break the vacuum with Nitrogen(N<sub>2</sub>) into the discharge service valve to 0 PSIG.
- 4) Evacuate the system to 1500 microns. Break the vacuum with Nitrogen(N<sub>2</sub>) into the discharge service valve to 0 PSIG.
- 5) Evacuate the system to 500 microns.
- 6) Close gauge manifold valves, stop the pump, and conduct a 30 minute rise test.
- 7) System should hold 500 microns for a minimum of 1 hour.

#### ⚠️ WARNING

To avoid risk of fire, make sure that there are no flammable hazards or ignition risks before opening the stop valves.

- 8) Fully open the valve stem of all stop valves on both sides of gas pipe and liquid pipe by the hexagonal wrench. If the valve stem hits the stopper, do not turn it any further. Operating without fully opening lowers the performance and this causes trouble.
- 9) Refer to 1-3 and charge the prescribed amount of additional refrigerant and record refrigerant amount on "Refrigerant amount label" (Fig. 1) if needed. Be sure to charge slowly with liquid refrigerant. Otherwise composition of the refrigerant in the system may be changed and affect performance of the air conditioner.
- 10) Remove gauge manifolds and replace service port caps and tighten.
- 11) Leak test

Refrigerant amount		
①	Factory charge (Refer to SPEC LABEL)	
②	Additional charge	
③	Total charge (①+②)	
①	lbs	oz/ kg
②	lbs	oz/ kg
③	lbs	oz/ kg
DATE OF FIRST CHARGE		
_____		

**Note:**  
Fill in the date of installation to DATE OF FIRST CHARGE on the label. Labels are located on both indoor and outdoor units.

Fig. 1

#### Note:

##### Detection of flammable refrigerants

Under no circumstances shall potential sources of ignition be used in the searching for or detection of refrigerant leaks. A halide torch (or any other detector using a naked flame) shall not be used.

The following leak detection methods are deemed acceptable for all refrigerant systems.

Electronic leak detectors may be used to detect refrigerant leaks but, in the case of flammable refrigerants, the sensitivity may not be adequate, or may need recalibration. (Detection equipment shall be calibrated in a refrigerant-free area.) Ensure that the detector is not a potential source of ignition and is suitable for the refrigerant used. Leak detection equipment shall be set at a percentage of the LFL of the refrigerant and shall be calibrated to the refrigerant employed, and the appropriate percentage of gas (25 % maximum) is confirmed.

Leak detection fluids are also suitable for use with most refrigerants but the use of detergents containing chlorine shall be avoided as the chlorine may react with the refrigerant and corrode the copper pipe-work.

If a leak is suspected, all naked flames shall be removed/extinguished.

If a leakage of refrigerant is found which requires brazing, all of the refrigerant shall be recovered from the system, or isolated (by means of shut off valves) in a part of the system remote from the leak.

##### Charging procedures

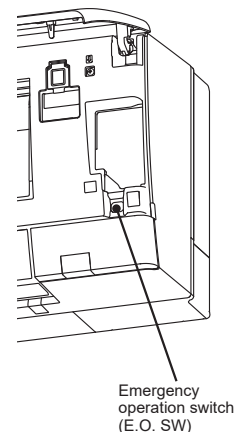
In addition to conventional charging procedures, the following requirements shall be followed.

- Ensure that contamination of different refrigerants does not occur when using charging equipment. Hoses or lines shall be as short as possible to minimise the amount of refrigerant contained in them.
- Cylinders shall be kept in an appropriate position according to the instructions.
- Ensure that the refrigerating system is earthed prior to charging the system with refrigerant.
- Label the system when charging is complete (if not already).
- Extreme care shall be taken not to overfill the refrigerating system.

Prior to recharging the system, it shall be pressure-tested with the appropriate purging gas. The system shall be leak-tested on completion of charging but prior to commissioning. A follow up leak test shall be carried out prior to leaving the site.

### 4-2. TEST RUN

- 1) Insert power supply plug into the power outlet and/or turn on the breaker.
- 2) Pressing the E.O. SW will perform a test run for 30 minutes. (For heat pump model, pressing the switch once will perform COOL operation and twice will perform HEAT operation.) If the upper operation indicator light blinks every 0.5 seconds, inspect the indoor/outdoor unit connecting wire (A). After the test run, emergency COOL mode (75°F [24°C] COOL) will start.
- 3) To stop operation, press the E.O. SW several times until all LED lamps turn off. Refer to operating instructions for details.



Checking the remote (infrared) signal reception

Press the OFF/ON button on the remote controller and listen for an audible indicator from the indoor unit. Press the OFF/ON button again to turn the air conditioner off.

- Once the compressor stops, the restart preventive device operates so the compressor will not operate for 3 minutes to protect the air conditioner.

### 4-3. AUTO RESTART FUNCTION

This product is equipped with an auto restart function. When the power supply is cut off during operation, such as during blackouts, the function automatically starts operation in the previous setting once the power supply is resumed. (Refer to the operating instructions for details.)

**Caution:**

- After test run or remote signal reception check, turn off the unit with the E.O. SW or the remote controller before turning off the power supply. If this procedure is not performed, the unit will automatically begin operation when power supply is resumed.

**To the user**

- After installing the unit, explain to the user about auto restart function.
- If auto restart function is unnecessary, it can be deactivated. Consult the service representative to deactivate the function. Refer to the service manual for details.

### 4-4. EXPLANATION TO THE USER

- Using the OPERATING INSTRUCTIONS, explain to the user how to use the air conditioner (the remote controller, removing the air filters, placing or removing the remote controller from the remote controller holder, cleaning methods, precautions for operation, etc.)
- Recommend that the user read the OPERATING INSTRUCTIONS carefully.

## 5. CONNECTION SETUP OF THE WIRELESS LAN MODULE

**CAUTION**

**Wi-Fi® enabled indoor units:**

- require a Wi-Fi® network with active internet connection for setup.
- are designed to connect to 2.4 GHz Wi-Fi® networks.
- will not work with 5 GHz or 6 GHz Wi-Fi® networks.

Some multi-band Wi-Fi® routers do not correctly manage 2.4 GHz-only devices. For best results, use a separate SSID for the 2.4 GHz band. Ensure that the installation will not exceed the Wi-Fi® router's connected device limit.

Verify that each indoor unit location has good Wi-Fi® signal strength. (-60 dBm or better). To improve reliability at locations with poor Wi-Fi® signal, apply a mesh Wi-Fi® system.

**Note:**

- If needed, use the remote controller to switch from the wireless network mode back to the Bluetooth LE configuration mode. Sending "3" with the remote controller switches the connection mode. Refer to the OPERATING INSTRUCTIONS.
- Refer to 6-1. REMOVING AND INSTALLING THE PANEL ASSEMBLY for access to the Wireless LAN module.
- Visit <https://kumocloud.com> for additional information about controlling the Wireless LAN module from your web browser or smart phone.

**Start up:** Refer to the kumo cloud® Technician Manual for the installer.

[https://docs.kumocloud.com/technician\\_manual.pdf](https://docs.kumocloud.com/technician_manual.pdf)



## 6. RELOCATION AND MAINTENANCE

### Removal and Evacuation

When breaking into the refrigerant circuit to make repairs - or for any other purpose conventional procedures shall be used. However, for flammable refrigerants it is important that best practice is followed since flammability is a consideration. The following procedure shall be adhered to:

- remove refrigerant
- purge the circuit with inert gas
- evacuate
- purge again with inert gas
- open the circuit by cutting or brazing.

The refrigerant charge shall be recovered into the correct recovery cylinders. For appliances containing flammable refrigerants, the system shall be "flushed" with OFN to render the unit safe. This process may need to be repeated several times. Compressed air or oxygen shall not be used for purging refrigerant systems.

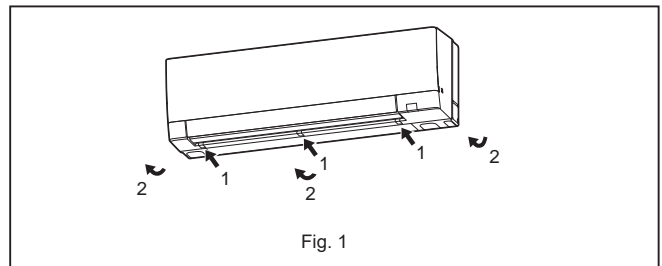
### Recovery

When removing refrigerant from a system, either for servicing or decommissioning, it is recommended good practice that all refrigerants are removed safely. When transferring refrigerant into cylinders, ensure that only appropriate refrigerant recovery cylinders are employed. Ensure that the correct number of cylinders for holding the total system charge are available. All cylinders to be used are designated for the recovered refrigerant and labeled for that refrigerant (i.e. special cylinders for the recovery of refrigerant). Cylinders shall be complete with pressure-relief valve and associated shut-off valves in good working order. Empty recovery cylinders are evacuated and, if possible, cooled before recovery occurs. The recovery equipment shall be in good working order with a set of instructions concerning the equipment that is at hand and shall be suitable for the recovery of all appropriate refrigerants including, when applicable, flammable refrigerants. In addition, a set of calibrated weighing scales shall be available and in good working order. Hoses shall be complete with leak-free disconnect couplings and in good condition. Before using the recovery machine, check that it is in satisfactory working order, has been properly maintained and that any associated electrical components are sealed to prevent ignition in the event of a refrigerant release. Consult manufacturer if in doubt. The recovered refrigerant shall be returned to the refrigerant supplier in the correct recovery cylinder, and the relevant waste transfer note arranged. Do not mix refrigerants in recovery units and especially not in cylinders. If compressors or compressor oils are to be removed, ensure that they have been evacuated to an acceptable level to make certain that flammable refrigerant does not remain within the lubricant. The evacuation process shall be carried out prior to returning the compressor to the suppliers. Only electric heating to the compressor body shall be employed to accelerate this process. When oil is drained from a system, it shall be carried out safely.

### 6-1. REMOVING AND INSTALLING THE PANEL ASSEMBLY

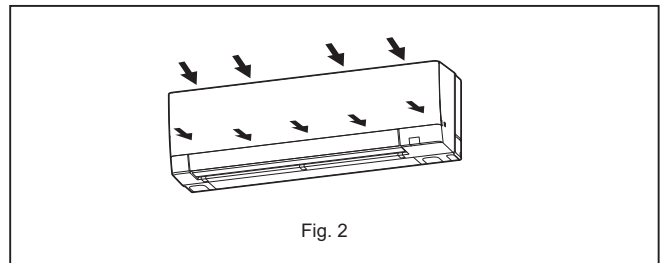
#### Removal procedure (Fig. 1)

- 1) Turn the horizontal vane downward.
- 2) Remove the horizontal vane.
- 3) Remove the front panel.
- 4) Remove the filter.
- 5) Remove the 6 screws which fix the panel assembly.
- 6) The panel assembly consists of 2 components. Remove them in the following order: panel and top panel. To remove the panel, pull out the right and left side.  
To remove the top panel, pull out the right and left side.
- 7) Hold the lower part of both ends of the panel and pull it slightly toward you, and then remove the panel.

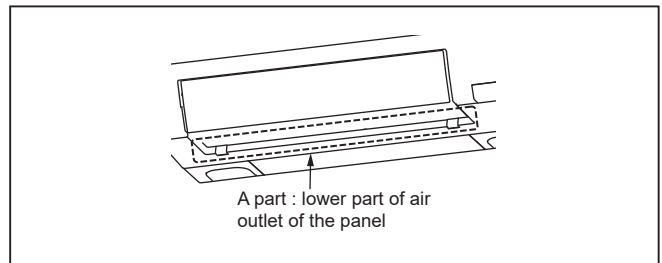


#### Installation procedure (Fig. 2)

- 1) Install the panel assembly following the removal procedure in reverse.
- 2) Be sure to press the positions as indicated by the arrows in order to attach the assembly completely to the unit.

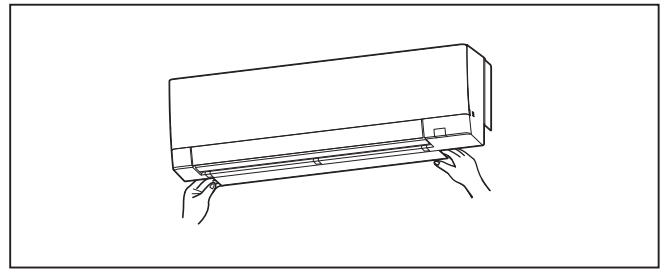


\* Do not hold the A part when installing/removing or carrying the panel, or the panel might be damaged.



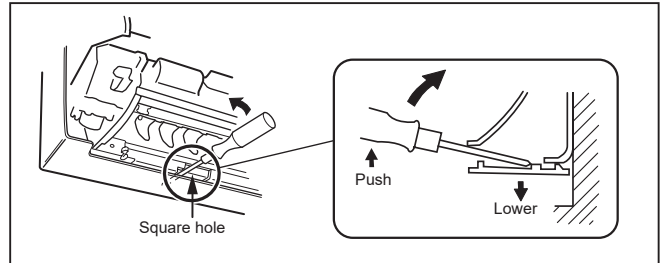
## 6-2. REMOVING THE INDOOR UNIT

Remove the bottom of the indoor unit from the installation plate.  
When releasing the corner part, release both left and right bottom corner part of indoor unit and pull it downward and forward as shown in the figure on the right.



### If the above method cannot be used

Remove the panel. Then, insert hexagonal wrenches into the square holes on the left and right sides of the unit and push them up as shown in the following figure. The bottom of the indoor unit lowers and releases the hooks.



## 6-3. PUMPING DOWN

When relocating or disposing of the air conditioner, pump down the system following the procedure below so that refrigerant is not released into the atmosphere.

- 1) Connect the gauge manifold valve to the service port of the stop valve on the gas pipe side of the outdoor unit.
- 2) Fully close the stop valve on the liquid pipe side of the outdoor unit.
- 3) Close the stop valve on the gas pipe side of the outdoor unit almost completely so that it can be easily closed fully when the pressure gauge shows 0 psi [Gauge] (0 Mpa).
- 4) Start the emergency COOL operation.  
To start the emergency operation in COOL mode, disconnect the power supply plug and/or turn off the breaker. After 15 seconds, connect the power supply plug and/or turn on the breaker, and then press the E.O. SW once. (The emergency COOL operation can be performed continuously for up to 30 minutes.)
- 5) Fully close the stop valve on the gas pipe side of the outdoor unit when the pressure gauge shows (0.1 to 0 psi [Gauge]) (0.05 to 0 Mpa).
- 6) Stop the emergency COOL operation.  
To stop operation, press the E.O. SW several times until all LED lamps turn off. Refer to operating instructions for details.

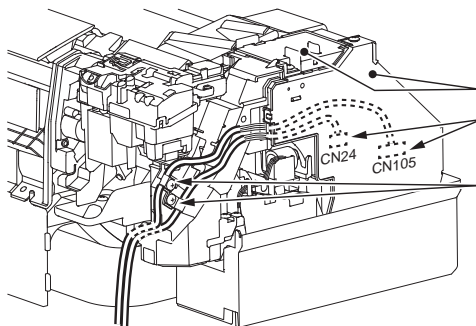
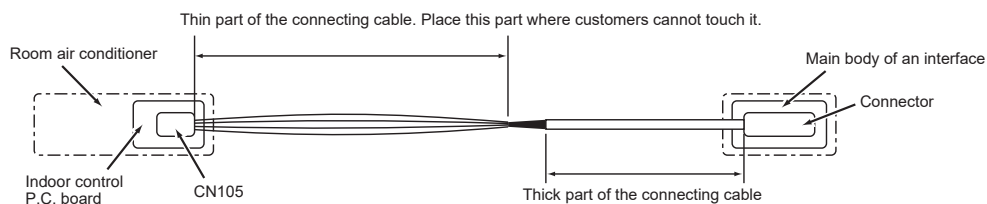
### ⚠ WARNING

**When the refrigeration circuit has a leak, do not execute pump down with the compressor.  
When pumping down the refrigerant, stop the compressor before disconnecting the refrigerant pipes. The compressor may burst if air etc. get into it.**

## 7. CONNECTING THE INTERFACE/CONNECTOR CABLE TO THE AIR CONDITIONER

- Connect the INTERFACE/CONNECTOR CABLE to the Indoor electronic control P.C. board of the air conditioner with the connecting cable.
- Cutting or extending the connecting cable of the INTERFACE/CONNECTOR CABLE results in defects in connecting.  
Do not bundle the connecting cable together with power supply cord, indoor/outdoor connecting wire, and/or ground wire. Keep as much distance as possible between the connecting cable and those wires.
- The thin part of the connecting cable should be stored and placed where customers cannot touch it.

### Connecting



- (1) Remove the panel and the lower right corner part.
- (2) Open the cover of the indoor control P.C. board.
- (3) Join the connecting cable to CN105 and/or CN24 on the indoor control P.C. board.
- (4) Hook the connecting cable as shown in the figure.
- (5) Attach the cable clamp provided with Interface to the thick part of the connecting cable with a screw 4×16, then fit the cable into the ribs as shown in the figure.
- (6) Close the cover of the indoor control P.C. board. Be careful not to catch the thin part of the connecting cable in the cover. Reinstall the panel and the lower right corner part.

### ⚠ WARNING

**Fix the connecting cable at the prescribed position securely. Incorrect installation may cause electric shock, fire, and/or malfunction.**

## 8. REFRIGERANT SENSOR INSTALLATION AND REPLACEMENT

- For system with branch box, the refrigerant sensor shall be installed to the indoor unit before turning on the breaker.  
The refrigerant sensor is located inside the branch box package or can be ordered separately. Parts Number **MAC-100RS-E**.
- When the refrigerant sensor mounted in the indoor unit, it may stop operation the system by refrigerant leak is detected.
- If the refrigerant sensor fails, replace the refrigerant sensor.
- The refrigerant sensor shall only be replaced with manufacturer approved sensor.
- If the refrigerant sensor error occurs even if the sensor is installed, please check the cable connection for the sensor side and the main board side.

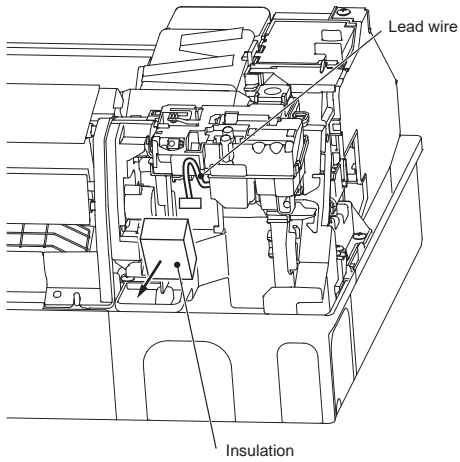


Fig. 1

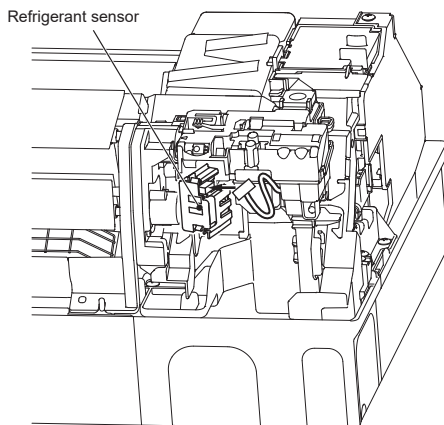


Fig. 2

- 1) Remove the panel.
- 2) Remove the insulation and take out the lead wire below the insulation. (Fig. 1)
- 3) Connect the lead wire to refrigerant sensor. (Fig. 2)
- 4) Insert the refrigerant sensor in the direction of the arrow and then fix it with the hook. (Fig. 3)

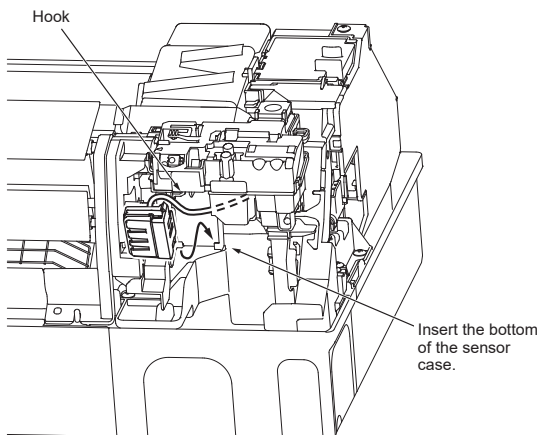


Fig. 3



**ÍNDICE**





1. ANTES DE LA INSTALACIÓN ..... 1  
 2. INSTALACIÓN DE LA UNIDAD INTERIOR ..... 6  
 3. INSTALACIÓN DE LA UNIDAD EXTERIOR ..... 9  
 4. PROCEDIMIENTOS DE PURGADO, PRUEBA DE FUGAS Y FUNCIONAMIENTO DE PRUEBA ..... 11  
 5. CONFIGURACIÓN DE LA CONEXIÓN DEL MÓDULO DE LAN INALÁMBRICA... 12  
 6. REUBICACIÓN Y MANTENIMIENTO ..... 13  
 7. CONEXIÓN DE LA INTERFAZ/CABLE CONECTOR AL ACONDICIONADOR DE AIRE ... 14  
 8. INSTALACIÓN Y SUSTITUCIÓN DEL SENSOR DE REFRIGERANTE... 15

**Herramientas necesarias para la instalación**

- Destornillador Phillips
- Nivel
- Báscula
- Cuchilla o tijeras
- Broca para serrar de 3 in. (75 mm)
- Llave dinamométrica
- Llave (o llave de tuercas)
- Llave hexagonal de 5/32 in. (4 mm)
- Abocardador para R410A/R454B
- Válvula colector de manómetro para R410A/R454B
- Bomba de vacío para R410A/R454B
- Manguera de carga para R410A/R454B
- Cortador de tuberías con escariador

**1. ANTES DE LA INSTALACIÓN**

**SIGNIFICADO DE LOS SÍMBOLOS QUE APARECEN EN LA UNIDAD INTERIOR Y/O EN LA UNIDAD EXTERIOR**

	Grupo de Seguridad de Refrigerantes A2L	<b>ATENCIÓN</b> (Riesgo de incendio)	Esta unidad utiliza refrigerante inflamable. Si hay fugas de refrigerante y éste entra en contacto con fuego o con fuentes de calor, se generarán gases perjudiciales y puede causarse un incendio.
	Lea detenidamente el MANUAL DE INSTRUCCIONES antes de utilizar el equipo.		
	El personal de mantenimiento deberá leer detenidamente el MANUAL DE INSTRUCCIONES y el MANUAL DE INSTALACIÓN antes de utilizar el equipo.		
	Encontrará más información en el MANUAL DE INSTRUCCIONES, en el MANUAL DE INSTALACIÓN y en documentos similares.		

**1-1. POR RAZONES DE SEGURIDAD, DEBERÁ OBSERVARSE SIEMPRE LO SIGUIENTE**

- Lea atentamente estas precauciones de seguridad e instrucciones.
- Observe los mensajes de atención y cuidado especificados aquí.
- Antes de iniciar la configuración de conexión del módulo de LAN inalámbrica, compruebe las precauciones de seguridad en el MANUAL DE INSTRUCCIONES del acondicionador de aire de la sala.
- Cuando haya acabado de leer el manual, guárdelo junto al MANUAL DE INSTRUCCIONES para su futura referencia.
- Antes de conectar este equipo al sistema de suministro eléctrico, informe a su proveedor u obtenga su consentimiento.

**⚠ ATENCIÓN (Podría causar la muerte o lesiones graves).**

- **El usuario no debe instalar la unidad.**  
Una instalación incorrecta o defectuosa podría causar incendios, descargas eléctricas o lesiones debidas a una caída de la unidad o escapes de agua. Consulte a un instalador cualificado o al concesionario en el que adquirió esta unidad.
- **Siga las instrucciones incluidas en el manual de instalación.**  
Una instalación defectuosa podría causar incendios, descargas eléctricas, lesiones debidas a una caída de la unidad o escapes de agua.
- **Al instalar la unidad, use equipos y herramientas de protección adecuadas para garantizar la seguridad.**  
De no hacerlo, podría sufrir daños corporales.
- **Asegúrese de que el lugar de instalación puede soportar el peso de la unidad.**  
Si el lugar de instalación no puede aguantar el peso de la unidad, ésta podría caerse y causar daños.
- **No modifique la unidad.**  
Podría producirse fuego, una descarga eléctrica, lesiones o escape de agua.
- **Realice la instalación eléctrica siguiendo las instrucciones del manual de instalación y asegurándose de emplear un circuito exclusivo. No conecte otros dispositivos eléctricos al circuito.**  
Si el circuito de alimentación no tiene suficiente capacidad o la instalación eléctrica es insuficiente, podría producirse un incendio o una descarga eléctrica.
- **Conecte correctamente la unidad a tierra.**  
No conecte el cable de tierra a una tubería de gas, de agua, pararrayos o al cable de tierra de un teléfono. Una conexión a tierra defectuosa podría provocar una descarga eléctrica.
- **Evite dañar los cables.**  
Unos cables dañados podrían provocar incendios.
- **Asegúrese de desconectar el conmutador de alimentación general al instalar la placa de circuito impreso o el cableado.**  
De no hacerlo, podría provocar una descarga eléctrica.
- **Utilice los cables indicados para conectar de forma segura las unidades interiores y exteriores. Conecte bien los cables de modo que no queden tensos en el panel de terminales.**  
Una conexión incorrecta podría provocar un incendio.
- **No instale la unidad en un lugar donde pueda haber fugas de gas inflamable.**  
Si hay fugas de gas y se acumula alrededor de la unidad, podría producirse una explosión.
- **No emplee conexiones intermedias del cable de alimentación ni tampoco un cable de extensión. Evite también conectar demasiados aparatos a una sola toma de CA.**  
Esto podría provocar un incendio o una descarga eléctrica.
- **Utilice las piezas suministradas o indicadas para efectuar la instalación.**  
El empleo de piezas defectuosas podría provocar lesiones o escapes de agua a causa de un incendio, una descarga eléctrica, la caída de la unidad, etc.
- **Al conectar el enchufe de alimentación en la toma, asegúrese de que no hay polvo, obstrucciones o piezas sueltas ni en la toma ni en el enchufe. Compruebe que el enchufe de alimentación está completamente insertado en la toma.**  
Si hay polvo, obstrucciones o piezas sueltas en el enchufe de alimentación o la toma, podría provocar incendios o descargas eléctricas. Si el enchufe de alimentación presenta piezas sueltas, sustitúyalo.
- **Fije firmemente la cubierta de la instalación eléctrica a la unidad interior y el panel de servicio, a la unidad exterior.**  
Si no se fijan con firmeza la cubierta de instalación eléctrica de la unidad interior y el panel de servicio de la unidad exterior, podría acumularse polvo, agua, etc. en la unidad y producirse un incendio o una descarga eléctrica.
- **Al instalar, reubicar o reparar la unidad, asegúrese de que en el circuito de refrigeración no entra ninguna otra sustancia que no sea el refrigerante especificado (R454B).**  
La presencia de cualquier otra sustancia extraña, como aire por ejemplo, puede provocar una elevación anómala de la presión, una explosión o daños corporales. El uso de un refrigerante distinto al especificado por el sistema ocasionará fallos mecánicos, malfuncionamiento del sistema o averías en la unidad. En el peor de los casos, esto podría llegar a ser un serio impedimento para garantizar el uso seguro del producto.
- **No descargue el refrigerante en el ambiente. Una vez acabada la instalación, compruebe que no haya fugas de gas refrigerante. Si se producen fugas de refrigerante durante la instalación, ventile la habitación.**  
Si el refrigerante entra en contacto con una llama, podría generarse gas nocivo. Si se produjeran pérdidas de gas refrigerante en un interior y entraran en contacto con la llama de un calefactor con ventilador, un calentador, una estufa, etc. se generarían gases nocivos.
- **Utilice las herramientas apropiadas y los materiales de conducción adecuados para la instalación.**  
La presión del refrigerante R454B es 1,6 veces mayor que la del R22. Si no se utilizan herramientas o materiales apropiados, o si se realiza una instalación defectuosa, las tuberías podrían estallar y provocar lesiones.
- **Al bombear el refrigerante, detenga el compresor antes de desconectar las tuberías de refrigerante.**  
Si las tuberías de refrigerante se desconectan con el compresor en marcha y la válvula de retención se abre, podría entrar aire y la presión del ciclo de refrigeración aumentaría de forma anómala, lo que podría hacer que las tuberías estallaran.
- **Al instalar la unidad, conecte las tuberías de refrigerante de forma fija antes de poner en marcha el compresor.**  
Si el compresor se pone en marcha antes de que las tuberías de refrigerante estén conectadas y la válvula de retención se abre, podría entrar aire y la presión del ciclo de refrigeración aumentaría de forma anómala, lo que podría hacer que las tuberías estallaran.

**⚠ ATENCIÓN (Podría causar la muerte o lesiones graves).**

- **Apriete la tuerca abocardada mediante una llave dinamométrica tal y como se especifica en el presente manual.**  
Si la aprieta demasiado, la tuerca abocardada podría romperse y causar pérdidas de refrigerante.
- **Instale la unidad de acuerdo con la normativa para instalaciones eléctricas.**
- **Si se abre o se cierra la válvula por debajo de las temperaturas de congelación, es posible que un chorro de refrigerante salga despedido del espacio situado entre el vástago de la válvula y el cuerpo de la válvula, provocando lesiones.**
- **Tenga cuidado al utilizar cualquier fuente de calor auxiliar y siga todas las instrucciones de los otros fabricantes y las directrices de seguridad para la instalación y el uso.**  
Cualquier fuente de calor auxiliar conectada a esta unidad a través de la conexión CN24 debe disponer de un mecanismo independiente de control de la temperatura. Si no se instala y mantiene dicho mecanismo de control de la temperatura, la garantía de este equipo puede quedar anulada.  
Mitsubishi Electric no asumirá ninguna obligación de garantía ni ninguna otra responsabilidad por cualquier daño o pérdida relacionado con dichos calentadores auxiliares de otros fabricantes.
- **Si se utiliza un quemador de gas u otro aparato que produzca llamas, retire todo el refrigerante del acondicionador de aire y compruebe que el área esté bien ventilada.**  
Si hay fugas de refrigerante y éste entra en contacto con fuego o con fuentes de calor, se generarán gases perjudiciales y puede causarse un incendio.

- **Para acelerar el proceso de descongelación o para limpiar el aparato, utilice únicamente los medios recomendados por el fabricante.**
- **El aparato debe guardarse en una habitación sin fuentes de ignición en funcionamiento continuo (por ejemplo: llamas abiertas, un aparato de gas en funcionamiento o un calentador eléctrico en funcionamiento).**
- **No perforo ni queme el equipo.**
- **Tenga en cuenta que es posible que los refrigerantes no emitan olores.**
- **Las tuberías deben protegerse de posibles daños físicos.**
- **Las tuberías instaladas deben ser las mínimas.**
- **Deben observarse las normativas nacionales relativas al gas.**
- **Mantenga las aberturas de ventilación necesarias libres de obstáculos.**
- **Las tuberías, incluidos el material, el trazado y la instalación, deberán estar protegidas contra daños físicos durante el funcionamiento y el servicio, y cumplir con los códigos y normas nacionales y locales, como ASHRAE 15, ASHRAE 15.2, IAPMO Uniform Mechanical Code, ICC International Mechanical Code o CSA B52.**
- **Todas las juntas de campo deberán ser accesibles para su inspección antes de cubrir las o encerrarlas.**

- **Las tuberías instaladas deben ser las mínimas.**
- **No retire la MARCA ROJA cerca de la pieza de conexión de la tubería.**

**Área ventilada**

- **Asegúrese de que la zona está al aire libre o de que está adecuadamente ventilada antes de entrar en el sistema o de realizar cualquier trabajo en caliente. Se mantendrá un cierto grado de ventilación durante el período en que se realicen los trabajos. La ventilación debe dispersar de forma segura cualquier refrigerante liberado y expulsarlo preferiblemente al exterior, al aire libre.**

**Para el módulo de LAN inalámbrica**

- **No instale la unidad interior equipada con el módulo de LAN inalámbrica cerca de dispositivos de control automático, como puertas automáticas o alarmas contra incendios.**  
Podría causar accidentes debido a un funcionamiento incorrecto.
- **No utilice la unidad interior equipada con el módulo de LAN inalámbrica cerca de equipos eléctricos médicos ni de personas que utilicen dispositivos médicos tales como marcapasos o desfibriladores cardioversores implantables.**  
Podría provocar un accidente debido a un mal funcionamiento de los equipos o dispositivos médicos.
- **Esta unidad interior equipada con módulo de LAN inalámbrica debe instalarse y utilizarse a una distancia mínima de 8 in. (20 cm) entre el dispositivo y el usuario u otras personas.**

**Para sistemas con caja de derivación**

- **No apague el disyuntor excepto si nota olor a quemado, o al realizar operaciones de mantenimiento o inspección.**  
No puede suministrarse alimentación al sensor de refrigerante instalado en la unidad interior, y el sensor no puede detectar las fugas de refrigerante. Esto podría provocar un incendio.

**⚠ CUIDADO (Podría causar lesiones graves si se manipula incorrectamente).**

- **Instale un disyuntor del interruptor de fallo de conexión a tierra (GFI) en función de la zona de instalación.**  
Si no está instalado el disyuntor del interruptor de fallo de conexión a tierra (GFI), podría producirse una descarga eléctrica.
- **Para efectuar un drenaje y una instalación de tuberías seguros, siga las indicaciones del manual de instalación.**  
Un drenaje o una instalación de tuberías defectuosos podría causar un escape de agua en la unidad y dañar los enseres del hogar.
- **No toque la entrada de aire ni las aletas de aluminio de la unidad exterior.**  
Esto podría causar lesiones.
- **Utilice siempre un equipo de protección cuando toque la base de la unidad exterior.**  
Si no lleva el equipo de protección podría sufrir lesiones.
- **No instale la unidad exterior donde puedan vivir animales pequeños.**  
Si los animales penetran en la unidad y dañan las piezas eléctricas podrían provocar fallos de funcionamiento, humos o incendios. Mantenga limpia el área alrededor de la unidad.

**Para el módulo de LAN inalámbrica**

- **Para evitar posibles daños debidos a la electricidad estática, toque algún objeto metálico para descargar la electricidad estática de su cuerpo antes de tocar la unidad interior equipada con el módulo de LAN inalámbrica.**  
La electricidad estática del cuerpo humano puede dañar el módulo de LAN inalámbrica.
- **No utilice la unidad interior equipada con el módulo de LAN inalámbrica cerca de otros dispositivos inalámbricos, microondas, teléfonos inalámbricos o facsímiles.**  
Podría provocar un funcionamiento incorrecto.
- **El usuario final debe leer y aceptar los términos y condiciones del servicio de LAN inalámbrica antes de empezar a instalar esta unidad interior equipada con el módulo de LAN inalámbrica.**

**Para sistemas con caja de derivación**

- **No instale la unidad en un lugar expuesto a humo, gas o productos químicos.**  
El sensor de refrigerante instalado en la unidad interior podría reaccionar y mostrar un error de fuga de refrigerante.
- **Tenga cuidado con la rotación del ventilador cuando el disyuntor esté activado.**  
Cuando el sensor de refrigerante detecta la fuga de refrigerante, el ventilador empieza a girar automáticamente. Podría hacerse daño.
- **Si emplea algún tipo de aerosol para la construcción de interiores, los trabajos de acabado o el sellado de un orificio en la pared, desactive el disyuntor y ventile bien la habitación. El sensor de refrigerante puede reaccionar al gas de los sprays y provocar errores de detección.**

## 1-2. SELECCIÓN DEL LUGAR DE INSTALACIÓN

### UNIDAD INTERIOR

#### ⚠️ ⚡ ATENCIÓN

- La altura de montaje de la unidad interior debe ser como mínimo de 5,9 ft (1,8 m) desde el suelo. Se recomienda una altura máxima de 7,5 ft (2,3 m).
- La unidad se instalará en habitaciones que excedan el área mínima de la habitación ( $A_{\min}$ ) determinada por la cantidad total de refrigerante (M).

#### SISTEMA SIN CAJA DE DERIVACIÓN

M		$A_{\min}$	
[kg]	[lbs, oz]	[m <sup>2</sup> ]	[ft <sup>2</sup> ]
0,5	1 1	1,9	21
0,6	1 5	2,3	25
0,7	1 8	2,6	28
0,8	1 12	3,0	33
0,9	1 15	3,4	37
1,0	2 3	3,8	41
1,1	2 6	4,1	45
1,2	2 10	4,5	49
1,3	2 13	4,9	53
1,4	3 1	5,2	56
1,5	3 4	5,6	61
1,6	3 8	6,0	65
1,7	3 11	6,3	68
1,8	3 15	6,8	74
1,9	4 3	7,2	78
2,0	4 6	7,6	82
2,1	4 10	7,9	86
2,2	4 13	8,3	90
2,3	5 1	8,7	94
2,4	5 4	9,1	98
2,5	5 8	9,4	102
2,6	5 11	9,8	106
2,7	5 15	10,2	110
2,8	6 2	10,6	115

#### SISTEMA CON CAJA DE DERIVACIÓN

Consulte el manual de instalación de la unidad múltiple.

- Donde no se obstaculice el flujo de aire.
- Donde el aire frío (o caliente) se pueda propagar por toda la habitación.
- En una pared rígida para reducir la posibilidad de vibración.
- Donde no esté expuesta a la luz solar directa. Tampoco la deje expuesta a luz solar directa mientras espera para instalarla, después de haberla desembalado.
- Donde pueda drenarse con facilidad.
- A una distancia mínima de 3 ft (1 m) o más de los aparatos de televisión y radio. El funcionamiento del acondicionador de aire puede interferir con la capacidad de recepción del televisor o la radio. Puede ser necesario conectar el receptor afectado a un amplificador.
- En un lugar lo más alejado posible de fluorescentes o de luces incandescentes (para que el controlador remoto por infrarrojos funcione con normalidad).
- Donde el filtro de aire se pueda extraer y remplazar con facilidad.
- Donde se encuentre alejada del resto de fuentes de calor o vapor.

#### Para el módulo de LAN inalámbrica

- Compruebe que el router sea compatible con la configuración de cifrado WPA2-AES antes de empezar la instalación de esta unidad interior equipada con el módulo de LAN inalámbrica.
- Esta unidad interior equipada con la interfaz del módulo de LAN inalámbrica no debe instalarse ni conectarse a ningún sistema Mitsubishi Electric destinado a aplicaciones críticas de refrigeración o calefacción.

#### Para sistemas con caja de derivación

- No instale la unidad en un entorno donde se utilizan equipos de gas propano, butano o metano, aerosoles tales como insecticidas, equipos que generan humo, pintura, etc., y productos químicos, o en lugares donde se genera gas sulfuroso.
- El sensor de refrigerante instalado en la unidad interior podría reaccionar y mostrar un error de fuga de refrigerante. Esto podría provocar que la unidad no funcionara.

#### Nota:

Instale la unidad interior en alto donde el aire pueda distribuirse por toda la habitación.

### CONTROLADOR REMOTO

- Donde sea cómodo para utilizarlo y fácil de ver.
- Donde los niños no puedan tocarlo fácilmente.
- Seleccione una posición a 4 ft (1,2 m) sobre el suelo y compruebe que las señales del controlador remoto lleguen correctamente a la unidad interior desde esa posición (sonará un pitido de recepción "pii" o "pii pii"). Cuando se incluya el soporte del controlador remoto, instálelo en una posición desde la que la unidad interior pueda recibir señales.

#### Nota:

En habitaciones con fluorescentes de tipo inversor, puede que la señal del controlador remoto inalámbrico no se reciba.

### UNIDAD EXTERIOR

- Donde no esté expuesta a vientos fuertes. Si la unidad exterior con función de descongelación está expuesta al viento, tardará más tiempo en descongelarse.
- Donde haya un buen flujo de aire sin polvo.
- Donde el ruido o el aire caliente (o frío) causados por el funcionamiento no moleste a los vecinos.
- Donde haya una pared o un punto de apoyo firme para evitar un mayor ruido o vibración durante el funcionamiento.
- Donde no exista riesgo de fugas de gas combustible.
- Si se instala la unidad en alto, asegúrese de fijar las patas de la unidad.
- Donde esté a una distancia mínima de 10 ft (3 m) de cualquier antena de televisión o radio. El funcionamiento del acondicionador de aire puede interferir con la capacidad de recepción del televisor o la radio. Puede ser necesario conectar el receptor afectado a un amplificador.
- Instale la unidad en horizontal.
- Instálela en una área donde no sufra el efecto provocado por una nevada, viento o nieve. En zonas de intensa nieve, le rogamos que instale un toldo, pedestal y/o pantallas acústicas planas.

#### Nota:

- Se recomienda establecer el circuito cerrado de la tubería cerca de la unidad exterior para reducir la vibración.
- Para mayor eficacia, instale la unidad exterior en una ubicación donde se pueda evitar, en la medida de lo posible, la luz solar directa continua o agua excesiva.

#### Nota:

Si utiliza el acondicionador de aire cuando la temperatura exterior sea baja, observe las instrucciones siguientes.

- No instale nunca la unidad exterior en un lugar en el que el lado de entrada/salida de aire quede expuesto directamente al viento.
- Para evitar la exposición al viento, instale la unidad exterior con el lado de entrada de aire hacia la pared y placa deflectora en el lado de salida de aire.
- Para instalar el aparato de aire acondicionado, evite los lugares siguientes donde es más probable que ocurran problemas.
  - Donde pueda haber una fuga de gas inflamable.
  - Donde haya demasiado aceite para maquinaria.
  - Donde pueda haber salpicaduras de aceite o donde impere un ambiente grasiento (como zonas para cocinar y fábricas, donde las partes de plástico se podrían alterar y dañar).
  - En ambientes salobres, como las zonas costeras.
  - Donde haya gas sulfúrico, como en zonas de baños termales, alcantarillas o aguas residuales.
  - Donde haya algún equipo inalámbrico o de alta frecuencia.
  - Donde haya elevadas emisiones de COV, incluidos compuestos de ftalato, aldehído fórmico, etc., que puedan causar craqueos.
  - El aparato debe almacenarse para evitar que se produzcan averías mecánicas.

### 1-3. ESPECIFICACIONES

#### 1-3-1. CONEXIÓN DE CABLES DE ALIMENTACIÓN Y DE LAS UNIDADES INTERIORES/EXTERIORES

- La alimentación debe proceder de un circuito derivado exclusivo.
- Los trabajos de cableado se deben basar en los estándares técnicos aplicables.
- Las conexiones de cableado deben realizarse según el siguiente diagrama.
- Apriete firmemente los tornillos.

##### Conexión de cables y de cable de tierra

- Utilice un conductor sólido con un calibre mín. AWG14 o un conductor trenzado con un calibre mín. AWG14.
- Utilice un cable de cobre con doble aislamiento con el aislante de 600 V.
- Use únicamente conductores de cobre.
- Siga los códigos eléctricos locales.

##### Cable de alimentación y cable de tierra

- Utilice un conductor sólido o trenzado: Mín. AWG10
- Use únicamente conductores de cobre.
- Siga los códigos eléctricos locales.

##### Nota:

Cuando la alimentación de la unidad interior procede de la unidad exterior, en función del código local, se debe instalar un interruptor de desconexión en el circuito de alimentación.

#### Especificaciones eléctricas

MODELO	INTERIOR	MSZ-GX18NL MSY-GX18NL		MSZ-GX24NL MSY-GX24NL		MSZ-GX30NL MSY-GX30NL	MSZ-GX36NL MSY-GX36NL
	EXTERIOR	MUZ-GX18NL(H) MUY-GX18NL	MUZ-GX18NLHZ	MUZ-GX24NL(H) MUY-GX24NL	MUZ-GX24NLHZ	MUZ-GX30NL(H) MUY-GX30NL	MUZ-GX36NL(H) MUY-GX36NL
<b>UNIDAD INTERIOR</b>							
Alimentación (V, FASE, Hz)	208/230, 1, 60						
Amperaje mín. del circuito (A)	1						
<b>UNIDAD EXTERIOR</b>							
Alimentación (V, FASE, Hz)	208/230, 1, 60						
Tamaño máx. del fusible (tiempo de propagación) (A)	25	25	25	25	25	25	25
Amperaje mín. del circuito (A)	23	23	23	23	NL : 23 NLH : 24	NL : 23 NLH : 24	
Tensión de control	Unidad interior - control remoto: (inalámbrica)						

#### 1-3-2. TUBERÍAS DE REFRIGERANTE

- Para evitar la condensación, aisle las dos tuberías de refrigerante.



##### CUIDADO

Asegúrese de utilizar un aislamiento de grosor especificado (tabla de la derecha). El uso excesivo de aislante puede causar una instalación incorrecta de la unidad interior y el uso de una cantidad insuficiente de aislante puede provocar la condensación.

- El radio de curvatura de la tubería de refrigerante debe ser de 4 in. (100 mm) o más.
- La unidad tiene conexiones abocinadas en los lados interior y exterior.
- Retire la tapa de la válvula de la unidad exterior y, a continuación, conecte la tubería.
- Las tuberías de refrigerante se emplean para conectar las unidades interior y exterior.
- Tenga cuidado de no romper ni doblar demasiado el tubo cuando lo flexione.
- Ajuste de refrigerante... Si la longitud de la tubería es superior a la longitud del tubo sin carga, será necesario emplear más refrigerante (R454B). Consulte la tabla siguiente.
- Tenga en cuenta la ubicación de la unidad interior cuando las longitudes de las tuberías sean inferiores a 16 ft (5 m), ya que podrían producirse ruidos intermitentes durante el funcionamiento normal que serían perceptibles en entornos muy silenciosos.

\*1 Cuando instale unidades múltiples, consulte el manual de instalación de la unidad exterior múltiple para la instalación de la unidad.

##### Ajuste de refrigerante \*1

Longitud del tubo sin carga A	50 ft (15 m)
Ajuste de refrigerante B	0,22 oz/ft (20 g/m)
Refrigerante adicional	Longitud de tubería hasta A: No es necesario Longitud de tubería superior a A: B x (longitud de tubería - A)

Tubería	Diámetro exterior	Grosor mínimo de la pared	Grosor del aislamiento	Material aislante
	in. (mm)			
Para líquido	1/4 (6,35)	0,0315 (0,8)	5/16 (8)	Plástico de espuma termorresistente con un peso específico de 0,045
Para gas	GX18	1/2 (12,7)	0,0315 (0,8)	
	GX24/30/36	5/8 (15,88)	0,0394 (1,0)	

##### Limitación de la tubería de extensión \*1

Longitud máx. tubería	100 ft (30 m)
Diferencia máx. altura	50 ft (15 m)
Número máx. de dobleces	10

# 1-4. DIAGRAMA DE INSTALACIÓN

## ACCESORIOS

Antes de la instalación, compruebe que tiene las siguientes piezas.

<Unidad interior>

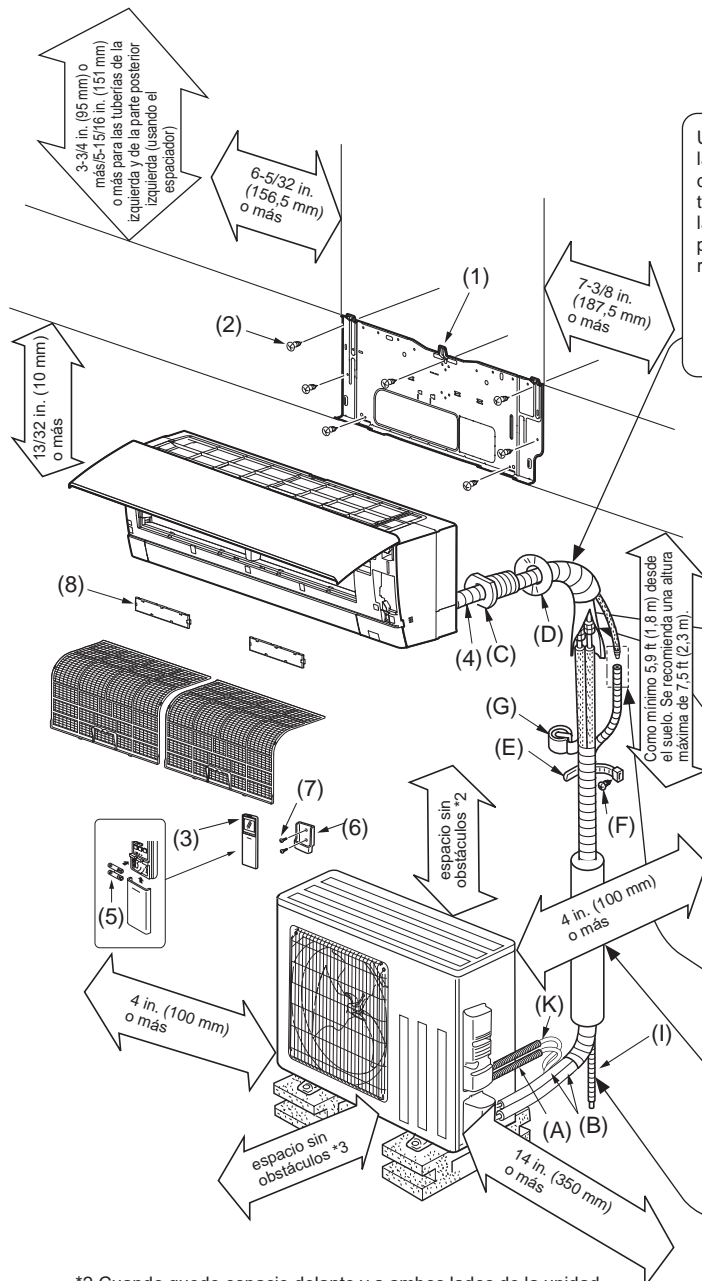
(1)	Placa de instalación	1
(2)	Tornillo de fijación de la placa de instalación 4 x 25 mm	7
(3)	Controlador remoto inalámbrico	1
(4)	Cinta de fieltro (Para la tubería izquierda o posterior izquierda)	1
(5)	Pila (AAA) para (3)	2
(6)	Controlador remoto inalámbrico	1
(7)	Tornillos para el soporte del controlador remoto (6) 3,5 x 16 mm (negros)	2
(8)	Filtro de limpieza de aire	2

## PIEZAS NO SUMINISTRADAS POR EL PROVEEDOR

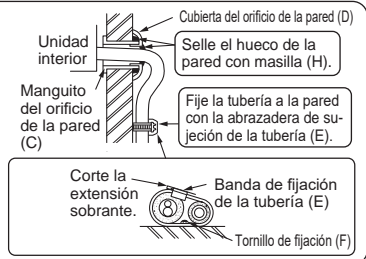
(A)	Cable de conexión interior/exterior*1	1
(B)	Tubería de extensión	1
(C)	Manguito del orificio de la pared	1
(D)	Cubierta del orificio de la pared	1
(E)	Banda de fijación de la tubería	2 - 5
(F)	Tornillo de fijación para (E) 4 x 20 mm	2 - 5
(G)	Cinta para tubería	1
(H)	Masilla	1
(I)	Manguera de drenaje (o PVC blando, manguera de 15 mm de diámetro interior o tubo de PVC rígido VP30)	1
(J)	Manguera de drenaje (o PVC blando, manguera de 15 mm de diámetro interior o tubo de PVC rígido VP16)	0 ó 1
(K)	Cable de alimentación*1	1

### Nota:

\*1 Coloque el cable de conexión de la unidad interior/exterior (A) y el cable de alimentación (K) al menos a 3 ft (1 m) de distancia del cable de la antena de televisión.



Utilice el manguito del orificio de la pared (C) para impedir que los cables de conexión interiores/exteriores (A) estén en contacto con las piezas metálicas de la pared y para proteger el cableado de los roedores.



**ATENCIÓN**  
En los sistemas con caja de derivación, para evitar el riesgo de incendio, la conexión abocardada debe instalarse en la unidad interior o en el exterior.

Después de la prueba de fugas, aplique material aislante de modo que no queden huecos.

Cuando las tuberías deban instalarse en una pared compuesta de placas de latón o rejillas metálicas, ponga un trozo de madera tratada químicamente de 25/32 in. (20 mm) o más de grosor entre la pared y las tuberías, o envuelva las tuberías con cinta aislante de vinilo. Para utilizar tuberías ya existentes, active el modo COOL (REFRIGERACIÓN) durante 30 minutos y realice el bombeo de vaciado antes de retirar el acondicionador de aire antiguo. Adapte el abocardado a las dimensiones para el nuevo refrigerante.

Cubra la parte de la conexión con cinta adhesiva para evitar filtraciones de agua.

**ATENCIÓN**  
Para evitar el riesgo de incendios, empotre o proteja las tuberías de refrigerante. Los daños externos en las tuberías de refrigerante pueden provocar un incendio.

No bloquee la entrada de la unidad exterior con la parte sobrante de las tuberías.

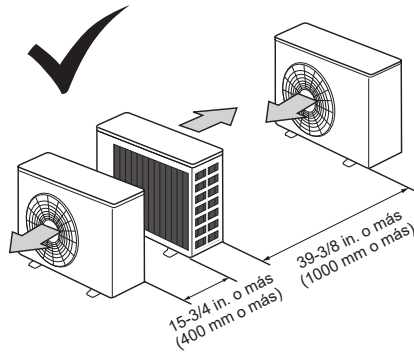
\*2 Cuando quede espacio delante y a ambos lados de la unidad, 20 in. (500 mm) o más  
\*3 Cuando quede espacio a 2 lados de la unidad: a la izquierda, a la derecha y detrás, 20 in. (500 mm) o más

**NOTAS IMPORTANTES**  
Compruebe que el cableado no quede expuesto a desgaste, corrosión, presión excesiva, vibración, bordes afilados o cualquier otro efecto ambiental adverso. La comprobación también deberá tener en cuenta los efectos del paso del tiempo o la vibración continua de fuentes tales como compresores o ventiladores.

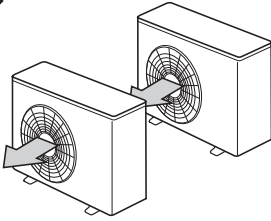
La unidad debe ser instalada por el servicio oficial de acuerdo con la normativa local.

**Nota:**

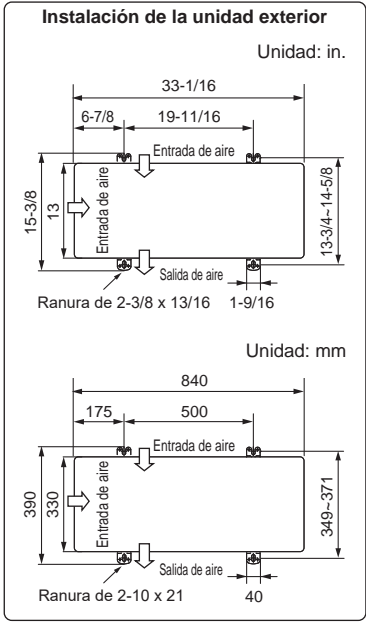
- Las dimensiones indicadas en las flechas (↔) anteriores muestran el espacio necesario para garantizar el funcionamiento del acondicionador de aire. Instale la unidad exterior en un lugar que disponga del máximo espacio posible, teniendo en cuenta futuras relocalizaciones, mantenimientos o reparaciones.
- El rendimiento de la refrigeración/calefacción y la eficiencia del uso de la energía eléctrica pueden disminuir alrededor de un 10% en aquellos lugares donde puedan producirse ciclos cortos debido a la mala ventilación. El rendimiento puede mejorar si se instala la guía de salida de aire (opcional).
- Si el aire de la salida se dirige hacia la pared, puede provocar la aparición de manchas.



**X** No capte directamente el aire expulsado por otras unidades.



**Tubería de drenaje para la unidad exterior**  
 Instale la unidad en horizontal.  
 No utilice tapa de desagüe en regiones frías. El desagüe se puede congelar y provocar la parada del ventilador.  
 La unidad exterior provoca condensación durante la función de calefacción. Seleccione un lugar para la instalación en el que la unidad exterior y las tomas de tierra no se humedezcan con agua de drenaje ni se dañen debido a la congelación de esta agua de drenaje.



**Tubos de desagüe para la unidad exterior**

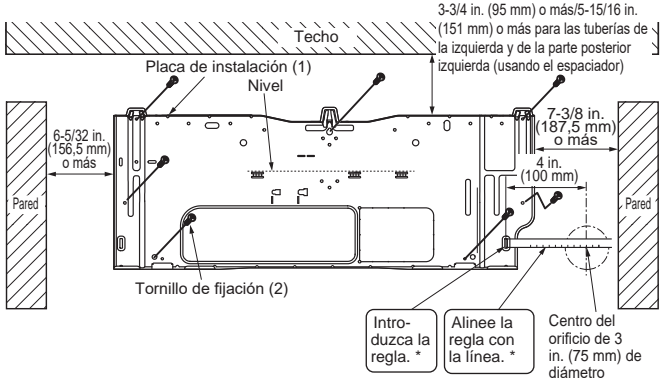
- La tapa de desagüe es una pieza opcional.
- Disponga los tubos de desagüe antes de proceder a la conexión de los tubos interiores y exteriores.
- Conecte la manguera de drenaje (J) de 15 mm de diámetro interior como se muestra en la ilustración.
- El tubo de desagüe debe tener una pendiente descendente para facilitar el flujo.

**Nota:**  
 Instale la unidad en horizontal.  
 No utilice tapa de desagüe en regiones frías. El desagüe se puede congelar y provocar la parada del ventilador.  
 La unidad exterior provoca condensación durante la función de calefacción. Seleccione un lugar para la instalación en el que la unidad exterior y las tomas de tierra no se mojen con agua de drenaje ni se dañen debido a la congelación de esta agua de drenaje.

**2. INSTALACIÓN DE LA UNIDAD INTERIOR**

**2-1. FIJACIÓN DE LA PLACA DE INSTALACIÓN**

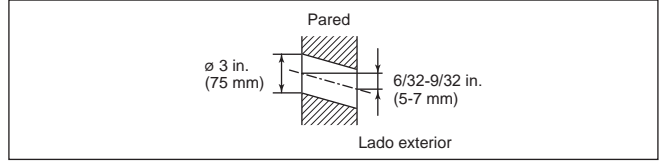
- Localice un pilar en la pared para fijar la placa de instalación (1) horizontalmente apretando firmemente los tornillos de sujeción (2).
- Para evitar que vibre la placa de instalación (1), asegúrese de que coloca los tornillos de sujeción en los orificios que se indican en la ilustración. Si desea una mayor fijación, puede instalar también tornillos adicionales en otros orificios.
- Si se retira el prepunzonado, ponga cinta aislante de vinilo en los bordes para evitar que se dañen los cables.
- Cuando la unidad interior deba instalarse en una pared concreta mediante pernos clavados, sujete la placa de instalación (1) a través de un orificio ovalado de 7/16 in. x 13/16 in. · 7/16 in. x 1 in. (11 mm x 20 mm · 11 mm x 26 mm) (17-3/4 in. [450 mm] de paso).
- Si el perno introducido es demasiado largo, utilice otro más corto (no suministrado por el proveedor).



\* Haga lo mismo para el orificio izquierdo.

**2-2. PERFORACIÓN**

- Determine la posición de los orificios en la pared.
- Perfore un orificio de 3 in. (75 mm) de diámetro. El lado exterior debe quedar entre 6/32 y 9/32 in. (5 y 7 mm) más bajo que el lado interior.
- Inserte el manguito del orificio de la pared (C).



## 2-3. CABLES DE CONEXIÓN PARA LA UNIDAD INTERIOR

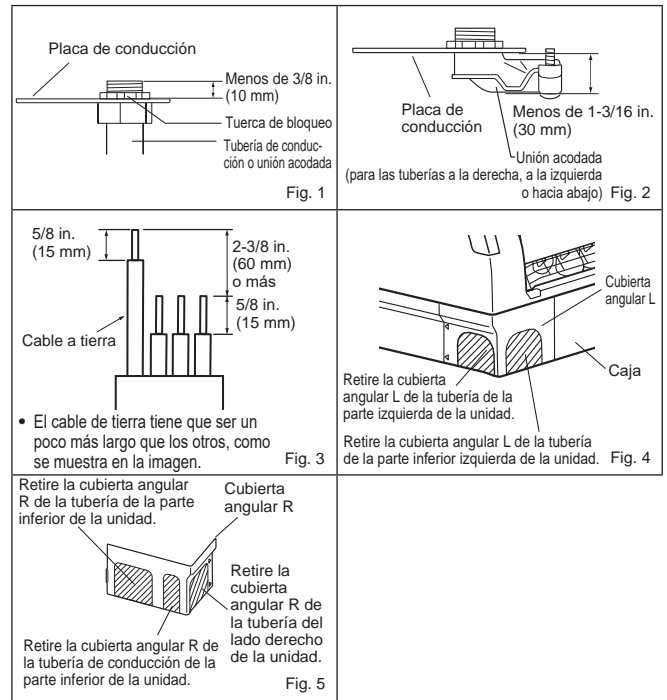
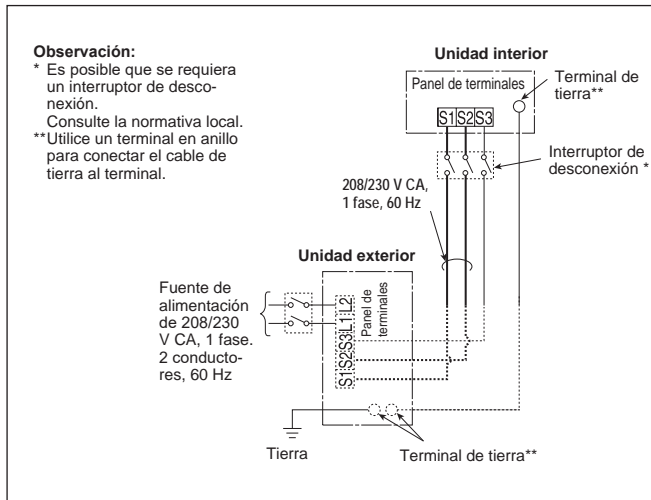
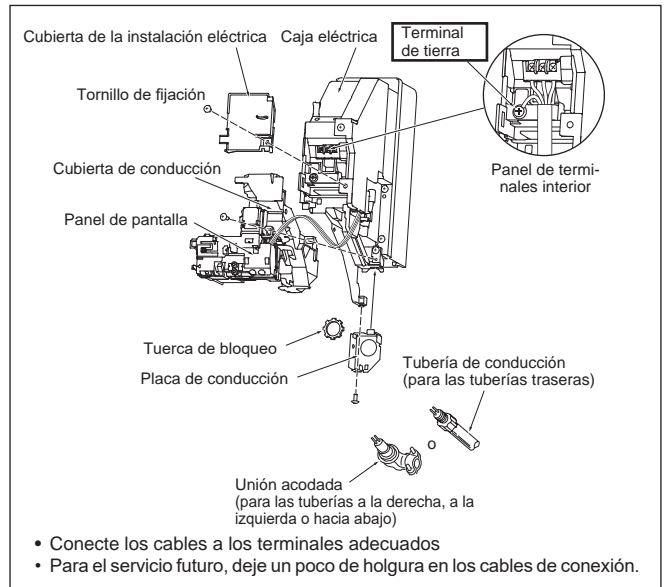
### Nota:

Cuando la alimentación de la unidad interior procede de la unidad exterior, en función del código local, se debe instalar un interruptor de desconexión en el circuito de alimentación.

- 1) Extraiga el panel. (Véase 6-1.)
- 2) Coloque la parte superior de la unidad interior en la placa de instalación.
- 3) Retire la cubierta angular R y la cubierta de la instalación eléctrica.
- 4) Retire el panel de pantalla, la cubierta de conducción y la placa de conducción.
- 5) Acople la tubería de conducción (para la tubería posterior) unión acodada (para las tuberías a la derecha, a la izquierda o hacia abajo) a la placa de conducción con la tuerca de bloqueo. La rosca de la tubería de conducción/ unión acodada instaladas que aparece en el interior debe ser menor de 3/8 in. (10 mm). (Fig. 1). La unión acodada debe ser menor de 1-3/16 in. (30 mm) en el exterior. (Fig. 2)
- 6) Procese el extremo del cable de tierra (Fig. 3). Conéctelo al terminal de tierra de la caja de piezas eléctricas.
- 7) Procese el extremo del cable de conexión de la unidad interior/ exterior (A) (Fig. 3). Conéctelo al panel de terminales. Procure no equivocarse al hacer las conexiones. Fije con firmeza el cable al panel de terminales de modo que no quede a la vista ninguna de sus piezas internas y que ninguna fuerza externa afecte a la sección de conexión del panel de terminales.
- 8) Apriete bien los tornillos de los terminales. Una vez apretados los tornillos, compruebe que los cables estén bien fijados.
- 9) Vuelva a instalar la placa de conducción, la cubierta de conducción y el panel de pantalla.
- 10) En función de la dirección de la tubería, retire la parte sombreada de la cubierta angular L (Fig. 4) o de la cubierta angular R (Fig. 5). Vuelva a instalar la cubierta eléctrica, la cubierta angular R y el conjunto del panel.

### NOTA IMPORTANTE

Para sistemas con caja de derivación, debe instalarse un sensor de refrigerante. Consulte la sección INSTALACIÓN Y SUSTITUCIÓN DEL SENSOR DE REFRIGERANTE mencionada más adelante.



## 2-4. FORMACIÓN DE TUBERÍAS Y TUBOS DE DESAGÜE

### 2-4-1. FORMACIÓN DE TUBERÍAS

- Coloque la manguera de drenaje debajo de la tubería de refrigerante.
- Asegúrese de que la manguera de drenaje no se haya atascado ni doblado.
- No tire de la manguera para poner la cinta.
- Cuando la manguera de drenaje tenga que pasar por una habitación, no olvide forrarla con un material aislante (no suministrado por el proveedor).

#### Nota:

Asegúrese de no dañar la cubierta de la tubería de refrigerante al volver a fijarla con los tornillos.

#### Tubería izquierda o posterior izquierda

##### Nota:

Asegúrese de volver a colocar la manguera de drenaje y la tapa de drenaje en caso de instalar la tubería izquierda o posterior izquierda; de no ser así, podría provocar el goteo de la manguera de drenaje.

- 1) Junte la tubería del refrigerante y la manguera de drenaje y, a continuación, sujételas firmemente con cinta de fieltro (4) a partir del extremo. La cinta de fieltro (4) debe solaparse 1/3 de su anchura. Emplee esparadrapo en el extremo de la cinta de fieltro (4).
- 2) Saque la tapa de drenaje de la parte posterior derecha de la unidad interior. (Fig. 1)
  - Sostenga la sección convexa por el extremo y saque la tapa.
- 3) Extraiga la manguera de drenaje por la parte posterior izquierda de la unidad interior. (Fig. 2)
  - Sostenga la pestaña marcada con flechas y extraiga la manguera de drenaje tirando hacia delante.
- 4) Ponga la tapa de drenaje en la sección de la parte posterior de la unidad interior a la que vaya a conectarse la manguera de drenaje. (Fig. 3)
  - Introduzca un destornillador en el orificio del extremo de la tapa e introduzca completamente la tapa en el depósito de drenaje.
- 5) Inserte completamente la manguera de drenaje en el depósito de drenaje situado en la parte posterior derecha de la unidad interior. (Fig. 4)
  - Compruebe que la manguera esté bien enganchada a la parte saliente de la pieza de inserción en el depósito de drenaje.
- 6) Introduzca la manguera de drenaje en el manguito del orificio de la pared (C) y fije la parte superior de la unidad interior en la placa de instalación (1). A continuación, mueva la unidad interior totalmente a la izquierda para facilitar la colocación de las tuberías en la parte posterior de la unidad.
- 7) Corte dos trozos de cartón de la caja de embalaje (utilice dos de los cuatro trozos), enróllelos, engánchelos en el saliente trasero, y utilícelos como espaciadores para levantar la unidad interior. (Fig. 5)
- 8) Conecte el tubo de refrigerante a la tubería de extensión (B).
- 9) Fije la parte inferior de la unidad interior en la placa de instalación (1).

#### Tubería posterior o de la parte inferior

- 1) Junte la tubería del refrigerante y la manguera de drenaje, y a continuación sujételas firmemente con cinta de tuberías (G) a partir del extremo.
- 2) Introduzca el tubo y la manguera de drenaje en el manguito del orificio de la pared (C) y enganche la parte superior de la unidad interior en la placa de instalación (1).
- 3) Compruebe que la unidad interior esté firmemente enganchada a la placa de instalación (1) moviendo la unidad de izquierda a derecha.
- 4) Empuje la parte inferior de la unidad interior hacia la palanca de instalación (1).

#### Tubería derecha

##### Nota:

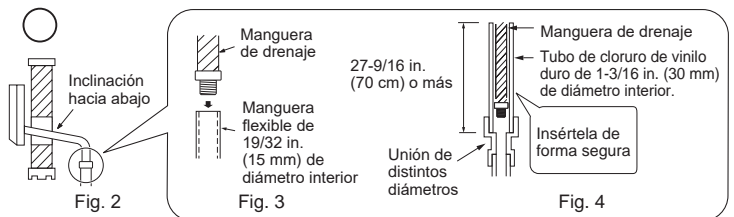
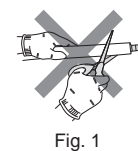
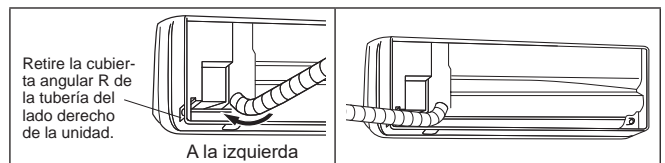
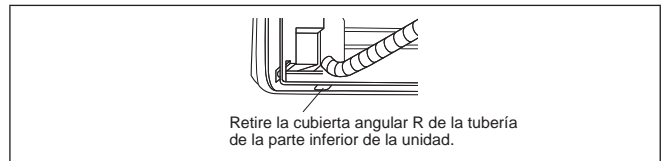
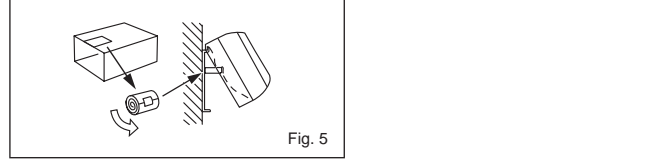
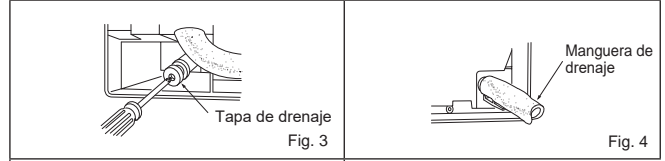
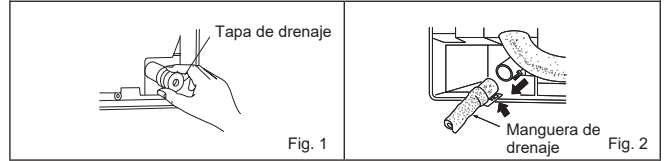
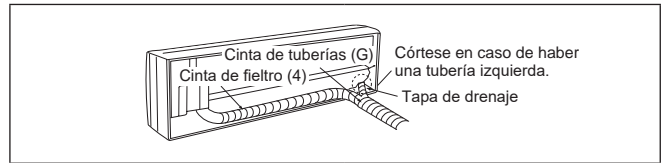
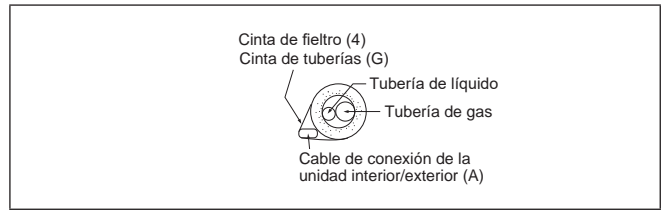
Antes de realizar lo siguiente, asegúrese de que el cableado esté completo y la cubierta de conducción esté instalada. (Véase 2-3).

- 1) Junte la tubería del refrigerante y la manguera de drenaje, y a continuación sujételas firmemente con cinta de tuberías (G) a partir del extremo.
- 2) Introduzca el tubo y la manguera de drenaje en el manguito del orificio de la pared (C) y enganche la parte superior de la unidad interior en la placa de instalación (1).
- 3) Compruebe que la unidad interior esté firmemente enganchada a la placa de instalación (1) moviendo la unidad de izquierda a derecha.
- 4) Empuje la parte inferior de la unidad interior hacia la palanca de instalación (1).

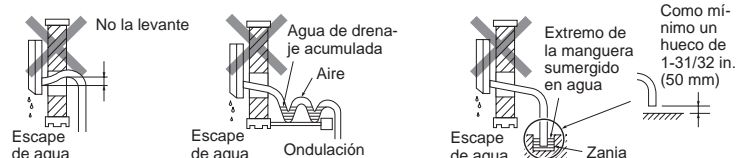
### 2-4-2. TUBERÍA DE DRENAJE

- No corte la manguera de drenaje de la unidad. (Fig. 1)
- Si la extensión de la manguera de drenaje tiene que pasar por una habitación, no olvide forrarla con aislante (no suministrado por el proveedor).
- La manguera de drenaje debe quedar hacia abajo para facilitar el drenaje. (Fig. 2)
- Si la manguera de drenaje suministrada con la unidad interior es demasiado corta, conéctela con una manguera de drenaje (I) no suministrada por el proveedor. (Fig. 3)
- Al conectar la manguera de drenaje al tubo de cloruro de vinilo duro, asegúrese de que quede fija al insertarla en el tubo. (Fig. 4)
- Procure no aplicar ninguna tensión a la parte de conexión de la manguera de drenaje después de instalar la unidad interior. De lo contrario, podría producirse una rotura o un escape de agua.
- Utilice siempre la manguera de drenaje conectada a la unidad interior. De lo contrario, pueden producirse escapes de agua o roturas debidas a los productos químicos.
- No aplique ningún agente al orificio de desagüe. De lo contrario, podrían producirse roturas.

No coloque el tubo de drenaje directamente en una zanja de drenaje donde pueda generarse amoníaco o gas sulfúrico. El gas corrosivo evaporado podría volver al lado interior a través del tubo de drenaje y provocar un olor desagradable y corrosión en el intercambiador de calor.



No desagüe las tuberías como se indica a continuación.

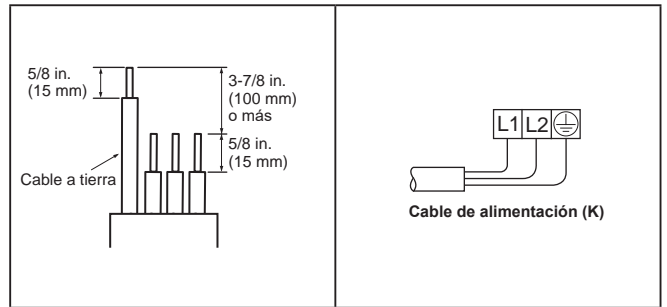




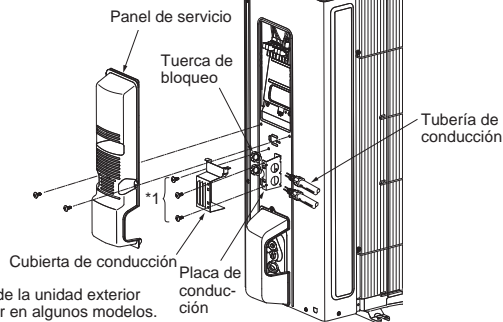
### 3. INSTALACIÓN DE LA UNIDAD EXTERIOR

#### 3-1. CABLES DE CONEXIÓN PARA LA UNIDAD EXTERIOR

- 1) Extraiga el panel de servicio.
- 2) Extraiga la cubierta de conducción.
- 3) Acople los conectores de conducción a la placa de conducción con las tuercas de bloqueo y, a continuación, fíjelo a la unidad con tornillos.
- 4) Conecte los cables de tierra del cable de conexión de la unidad interior/exterior (A) y el cable de alimentación (K) a la fijación TB.
- 5) Afloje los tornillos del terminal, y luego conecte correctamente el cable de conexión de la unidad interior/exterior (A) y el cable de alimentación (K) de la unidad interior al panel de terminales. Fije con firmeza los cables al panel de terminales de modo que no quede a la vista ninguna de sus piezas internas, y que ninguna fuerza externa afecte a la sección de conexión del panel de terminales.
- 6) Apriete bien los tornillos de los terminales. Una vez apretados los tornillos, compruebe que los cables estén bien fijados.
- 7) Instale la cubierta de conducción.
- 8) Instale el panel de servicio de forma segura.

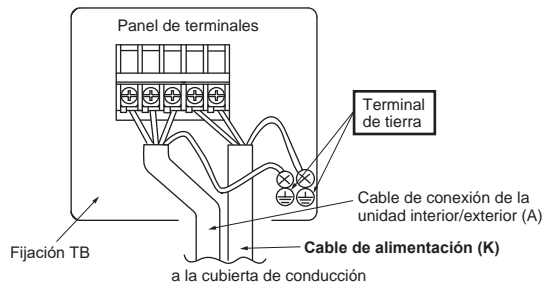


\*1 Las piezas indicadas podrían ser diferentes de los otros tornillos, por lo que no deben mezclarse con dichos tornillos.



El aspecto de la unidad exterior puede variar en algunos modelos.

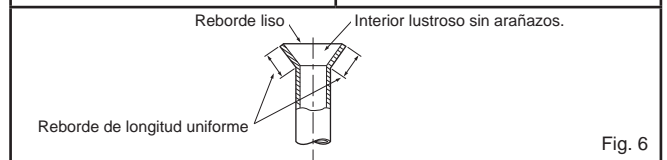
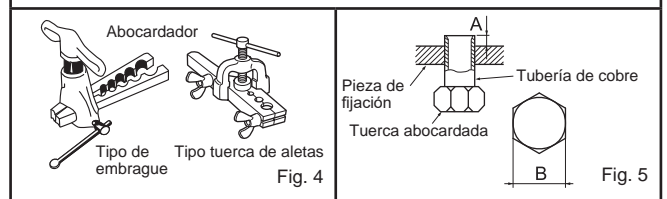
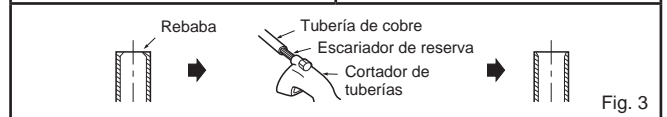
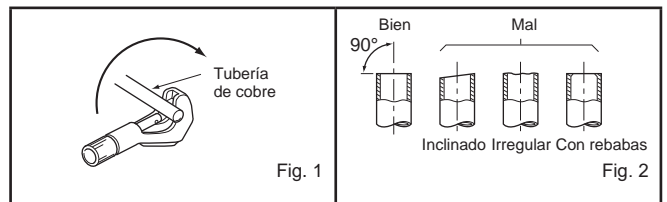
- El cable de tierra tiene que ser un poco más largo que los otros, como se muestra en la imagen.
- Para el servicio futuro, deje un poco de holgura en los cables de conexión.



#### 3-2. CONEXIÓN ABOCARDADA

- 1) Corte el tubo de cobre correctamente con un cortador de tubos. (Fig. 1, 2)
- 2) Elimina las rebabas de la sección de corte de la tubería, asegurándose de tomar precauciones para evitar la entrada de recortes metálicos en la tubería. (Fig. 3)
- 3) Extraiga las tuercas abocardadas colocadas en las unidades interior y exterior y póngalas en el tubo.
- 4) Labores de abocardamiento (Fig. 4, 5). Sujete firmemente el tubo de cobre de la dimensión que se muestra en la tabla. Seleccione A en in. (mm) en la tabla según la herramienta que emplee.
- 5) Compruebe
  - Compare el abocardado con la Fig. 6.
  - Si el abocardado es defectuoso, corte la sección y repita el procedimiento.

Diámetro del tubo in. (mm)	B en in. (mm)	A en in. (mm)			Par de torsión	
		Herramienta tipo embrague para R410A/R454B	Herramienta tipo embrague para R22	Herramienta tipo tuerca de mariposa para R22	ft-lb (kgf·cm)	N·m
ø 1/4 (6,35)	21/32 (17)			0,06 - 0,08 (1,5 - 2,0)	10 - 13 (140 - 180)	13,7 - 17,7
ø 3/8 (9,52)	7/8 (22)	0 - 0,02 (0 - 0,5)	0,04 - 0,06 (1,0 - 1,5)		25 - 30 (350 - 420)	34,3 - 41,2
ø 1/2 (12,7)	1-1/32 (26)			0,08 - 0,10 (2,0 - 2,5)	36 - 42 (500 - 575)	49,0 - 56,4
ø 5/8 (15,88)	1-5/32 (29)				54 - 58 (750 - 800)	73,5 - 78,4



### 3-3. CONEXIÓN DE TUBERÍAS

- Apriete una tuerca abocardada con una llave dinamométrica tal y como se especifica en la tabla anterior.
- Si la aprieta demasiado, la tuerca abocardada podría romperse y causar pérdidas de refrigerante.
- Asegúrese de colocar el aislante alrededor de las tuberías. El contacto directo con la tubería puede ocasionar quemaduras o congelación.

#### Conexión de la unidad interior

Conecte las tuberías de líquido y de gas a la unidad interior.

- No aplique aceite de refrigeración en las roscas de los tornillos. Un par de apriete excesivo podría dañar el tornillo.
- Para realizar la conexión, alinee primero el centro y luego apriete manualmente la tuerca abocardada las primeras 3 a 4 vueltas.
- Utilice la tabla de pares de apriete en (3-2.) como guía para las uniones laterales de la unidad interior y apriete empleando dos llaves. Procure no apretar demasiado, ya que podría deteriorar la sección abocardada.

#### Conexión de la unidad exterior

Conecte las tuberías a las uniones de tubería de las válvulas de retención de la unidad exterior de la misma manera que en la unidad interior.

- Para apretar, utilice la llave dinamométrica o la llave de tuercas.

#### ⚠ ATENCIÓN

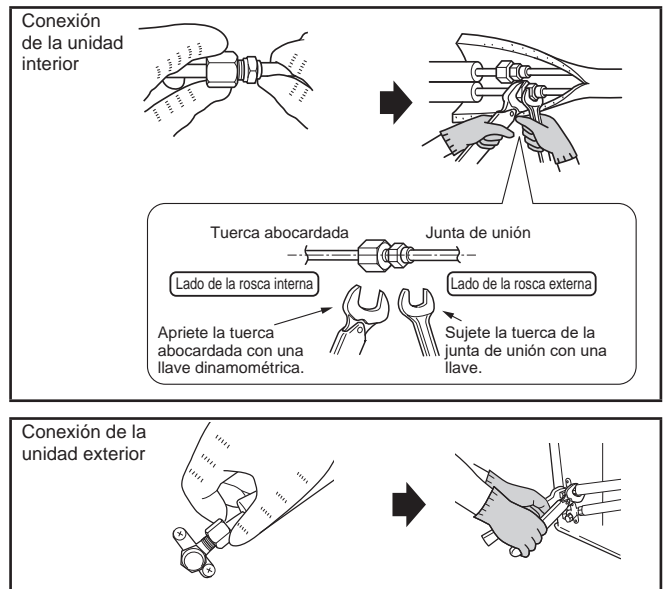
**Al instalar la unidad, conecte las tuberías de refrigerante de forma fija antes de poner en marcha el compresor.**

### 3-4. MÉTODO DE PRUEBA DE PRESIÓN DE NITRÓGENO EN TUBERÍAS DE REFRIGERANTE

- 1) Conecte las herramientas de prueba.
  - Asegúrese de que las válvulas de cierre están cerradas y no las abra.
  - Aumente la presión de los tubos del refrigerante a través del puerto de servicio de la válvula de retención de GAS.
- 2) No añada de golpe más presión de la presión especificada; añada presión poco a poco.
  1. Presurice a 0,5 MPa (73 psig, 5 kgf/cm<sup>2</sup>G), espere 5 minutos y compruebe que la presión no se ha reducido.
  2. Presurice a 1,5 MPa (218 psig, 15 kgf/cm<sup>2</sup>G), espere 5 minutos y compruebe que la presión no se ha reducido.
  3. Presurice a 4,15 MPa (601 psig, 41,5 kgf/cm<sup>2</sup>G) y mida la temperatura ambiente y la presión del refrigerante.
- 3) Si la presión especificada se mantiene estable durante 24 horas y no se reduce, las tuberías han pasado la prueba y no existen fugas.
  - Si la temperatura ambiente cambia en 1°F (0,5°C), la presión cambiará en aproximadamente 1 psig (0,007 MPa). Haga las correcciones necesarias.
- 4) Si la presión disminuye en los pasos 2) o 3), hay una fuga de gas. Busque el origen de la fuga de gas.

### 3-5. AISLAMIENTO TÉRMICO Y FORRADO CON CINTA

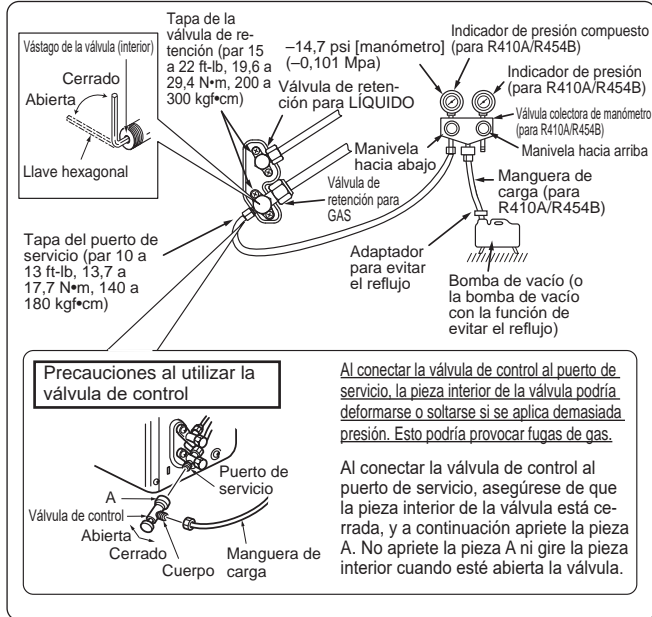
- 1) Cubra las uniones de tuberías con cubiertas de tubería.
- 2) En el lado de la unidad exterior, aisle las tuberías y válvulas.
- 3) Aplique cinta de tuberías (G) a partir de la conexión en la unidad exterior.
  - Cuando las tuberías deban instalarse por encima del techo, en un armario empotrado o en lugares con una temperatura y humedad elevadas, utilice un aislante adicional no suministrado por el proveedor para evitar la condensación.



## 4. PROCEDIMIENTOS DE PURGADO, PRUEBA DE FUGAS Y FUNCIONAMIENTO DE PRUEBA

### 4-1. PROCEDIMIENTO DE PURGADO Y PRUEBA DE FUGAS

- 1) Retire las tapas de la abertura de servicio de las válvulas de retención situadas a ambos lados de las líneas de refrigerante. (La unidad se suministra con las válvulas de retención completamente cerradas). Debe dejarlas cerradas.
- 2) Conecte la válvula conectora de manómetro a los puertos de las válvulas de retención.



- 3) Realice el vaciado del sistema a 4000 micrones utilizando ambas válvulas de servicio. No se deben utilizar medidores del colector de admisión del sistema para medir el vacío. Se debe utilizar siempre un medidor de micrones. Rompa el vacío inyectando nitrógeno (N2) en la válvula de servicio de descarga a 0 PSIG.
- 4) Realice el vaciado del sistema a 1500 micrones. Rompa el vacío inyectando nitrógeno (N2) en la válvula de servicio de descarga a 0 PSIG.
- 5) Realice el vaciado del sistema a 500 micrones.
- 6) Cierre las válvulas conectoras de manómetro, detenga la bomba y realice una prueba de elevación de la presión durante 30 minutos.
- 7) El sistema debería mantener 500 micrones durante 1 hora como mínimo.

### ⚠️ ⚡ ATENCIÓN

Para evitar el riesgo de incendios, compruebe que no haya ningún peligro de inflamación ni riesgo de ignición antes de abrir las válvulas de parada.

- 8) Abra completamente el vástago de todas las válvulas de retención de ambos lados del tubo de gas y del tubo de líquido con una llave hexagonal. Si el vástago de la válvula entra en contacto con el tope, deje de girarlo. Si no lleva a cabo esta operación abriendo dichas válvulas por completo, el rendimiento disminuirá y se producirán problemas.
- 9) Consulte el apartado 1-3, cargue la cantidad prescrita de refrigerante adicional y registre la cantidad de refrigerante en la "Etiqueta de cantidad de refrigerante" (Fig. 1) si es necesario. Introduzca el refrigerante líquido con lentitud. De lo contrario, la composición del refrigerante en el sistema puede cambiar y afectar al rendimiento del equipo de aire acondicionado.
- 10) Retire las válvulas conectoras de manómetro, vuelva a colocar las tapas de la abertura de servicio y fíjelas.
- 11) Prueba de fugas

Refrigerant amount		
① Factory charge (Refer to SPEC LABEL)		
② Additional charge		
③ Total charge (①+②)		
①	lbs	oz/ kg
②	lbs	oz/ kg
③	lbs	oz/ kg
DATE OF FIRST CHARGE		

**Nota:** Anote la fecha de instalación en el apartado FECHA DE LA PRIMERA CARGA de la etiqueta. Las etiquetas se encuentran en las unidades interiores y exteriores.

Fig. 1

### Nota:

#### Detección de refrigerantes inflamables

En ningún caso se utilizarán fuentes potenciales de ignición en la búsqueda o detección de fugas de refrigerante. No debe utilizarse un soplete de haluro (ni ningún otro detector que utilice una llama viva).

Los siguientes métodos de detección de fugas se consideran aceptables para todos los sistemas refrigerantes.

Pueden utilizarse detectores de fugas electrónicos para detectar fugas de refrigerante, aunque en el caso de refrigerantes inflamables es posible que la sensibilidad no sea la adecuada o que sea necesaria una recalibración. (El equipo de detección se calibrará en una zona libre de refrigerantes).

Compruebe que el detector no sea una fuente potencial de ignición y que resulte adecuado para el refrigerante utilizado. El equipo de detección de fugas se ajustará a un porcentaje del LFL del refrigerante y se calibrará para el refrigerante empleado, y se confirmará el porcentaje adecuado de gas (25 % como máximo).

Los fluidos para la detección de fugas también pueden utilizarse con la mayoría de los refrigerantes, pero debe evitarse el uso de detergentes que contengan cloro, ya que este puede reaccionar con el refrigerante y corroer las tuberías de cobre.

Si se sospecha que hay una fuga, deben eliminarse/extinguirse todas las llamas vivas.

Si se detecta una fuga de refrigerante que requiera una soldadura, se recuperará todo el refrigerante del sistema, o se aislará (mediante válvulas de cierre) en una parte del sistema alejada de la fuga.

#### Procedimientos de carga

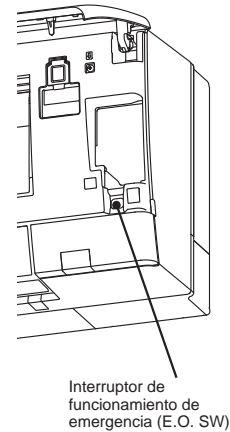
Además de los procedimientos de carga convencionales, se seguirán estos requisitos.

- Compruebe que los diferentes refrigerantes no se contaminen al utilizar el equipo de carga. Las mangueras o los tubos deben ser lo más cortos posible para minimizar la cantidad de refrigerante que contienen.
- Los cilindros se mantendrán en una posición adecuada de acuerdo con las instrucciones.
- Compruebe que el sistema de refrigeración esté conectado a tierra antes de cargar el sistema con refrigerante.
- Etiquete el sistema una vez completada la carga (si no lo está ya).
- Debe tener mucho cuidado de no sobrecargar el sistema de refrigeración.

Antes de recargar el sistema, debe realizarse una prueba de presión con el gas de purga adecuado. Deberá realizarse una prueba de estanqueidad del sistema al finalizar la carga, pero antes de la puesta en marcha. Se realizará una prueba de fugas de seguimiento antes de abandonar el lugar.

### 4-2. FUNCIONAMIENTO DE PRUEBA

- 1) Introduzca el enchufe en la toma de corriente y/o active el disyuntor.
- 2) Si se pulsa el interruptor E.O. SW, se realizará un funcionamiento de prueba durante 30 minutos. (En el caso de modelos con bomba de calor, si se pulsa el interruptor una vez se iniciará el funcionamiento de REFRIGERACIÓN (COOL) y si se pulsa dos veces se iniciará el funcionamiento de CALEFACCIÓN (HEAT)). Si la luz indicadora de funcionamiento superior parpadea cada 0,5 segundos, examine el cable de conexión de la unidad interior/exterior (A). Tras el funcionamiento de prueba, se iniciará el modo COOL (refrigeración) de emergencia (REFRIGERACIÓN a 75°F [24°C]).
- 3) Para detenerlo, pulse varias veces el interruptor E.O. SW hasta que se apaguen todas las luces de los indicadores. Si desea más detalles, consulte el manual de instrucciones.



Verificación de la recepción de señales (infrarrojos) del controlador remoto Pulse el botón OFF/ON (apagado/encendido) del controlador remoto y compruebe si desde la unidad interior se oye una señal audible. Vuelva a pulsar el botón OFF/ON para apagar el equipo de aire acondicionado.

- Una vez apagado el compresor, se activa el dispositivo de protección del equipo de aire acondicionado que lo mantiene apagado durante 3 minutos.

### 4-3. FUNCIÓN DE PUESTA EN MARCHA AUTOMÁTICA

Este producto dispone de la función de puesta en marcha automática. Si la alimentación eléctrica se corta durante el funcionamiento, por ejemplo si se produce un apagón, esta función hace que una vez reanudada la alimentación el funcionamiento se produzca automáticamente con la configuración anterior. (Si desea más detalles, consulte el manual de instrucciones).

#### Cuidado:

- Después del funcionamiento de prueba o de la verificación de la recepción de señales remotas, apague la unidad con el interruptor E.O. SW o con el controlador remoto antes de desconectar el enchufe de alimentación. Si no lo hace la unidad se pondrá en marcha automáticamente al volver a conectar la alimentación.

#### Para el usuario

- Después de instalar la unidad, explique al usuario los detalles de la función de puesta en marcha automática.
- Si la función de puesta en marcha automática no es necesaria, puede desactivarse. Consulte al representante técnico para desactivar esta función. Si desea más detalles, consulte las instrucciones de funcionamiento.

### 4-4. EXPLICACIÓN PARA EL USUARIO

- Basándose en el MANUAL DE INSTRUCCIONES, explique al usuario cómo utilizar el equipo de aire acondicionado (cómo utilizar el controlador remoto, como retirar los filtros de aire, cómo retirar o colocar el control remoto en el soporte para el controlador remoto, métodos de limpieza, precauciones para el funcionamiento, etc.)
- Aconseje al usuario que lea atentamente el MANUAL DE INSTRUCCIONES.

## 5. CONFIGURACIÓN DE LA CONEXIÓN DEL MÓDULO DE LAN INALÁMBRICA

#### ⚠ CUIDADO

##### Las unidades interiores con Wi-Fi®:

- requieren una red Wi-Fi® con conexión a Internet activa para su configuración.
- están diseñadas para conectarse a redes Wi-Fi® de 2,4 GHz.
- no funcionará con redes Wi-Fi® de 5 GHz o 6 GHz.

Algunos routers Wi-Fi® multibanda no gestionan correctamente los dispositivos de solo 2,4 GHz. Para obtener los mejores resultados, utilice un SSID distinto para la banda de 2,4 GHz.

Compruebe que la instalación no superará el límite de dispositivos conectados del router Wi-Fi®.

Compruebe que la ubicación de cada unidad interior tiene una buena intensidad de señal Wi-Fi®. (-60 dBm o superior). Para mejorar la fiabilidad en lugares con mala señal Wi-Fi®, aplique un sistema Wi-Fi® de malla.

#### Nota:

- Si es necesario, utilice el controlador remoto para pasar del modo de red inalámbrica al modo de configuración de Bluetooth LE. Si envía "3" con el controlador remoto se cambia el modo de conexión. Consulte el MANUAL DE INSTRUCCIONES.
- Véase 6-1. EXTRACCIÓN E INSTALACIÓN DEL PANEL para acceder al módulo de LAN inalámbrica.
- Visite <https://kumocloud.com> para información adicional acerca de cómo controlar el módulo de LAN inalámbrica desde su navegador web o smartphone.

Puesta en marcha: Consulte el manual del técnico de kumo cloud® para el instalador.

[https://docs.kumocloud.com/tecnician\\_manual.pdf](https://docs.kumocloud.com/tecnician_manual.pdf)



## 6. REUBICACIÓN Y MANTENIMIENTO

### Desmontaje y vaciado

Cuando se entre en el circuito de refrigerante para realizar reparaciones (o para cualquier otra finalidad), se utilizarán los procedimientos convencionales. No obstante, en el caso de los refrigerantes inflamables es importante que se sigan las mejores prácticas, ya que la inflamabilidad debe tenerse en cuenta. Se seguirá este procedimiento:

- retirar el refrigerante
- purgar el circuito con gas inerte
- vaciar
- volver a purgar con gas inerte
- abrir el circuito cortando o soldando.

La carga de refrigerante se recuperará en los cilindros de recuperación correctos. En el caso de los aparatos que contengan refrigerantes inflamables, el sistema se "lavará" con OFN para que la unidad sea segura. Es posible que este proceso deba repetirse varias veces. No se utilizará aire comprimido ni oxígeno para purgar los sistemas de recuperación.

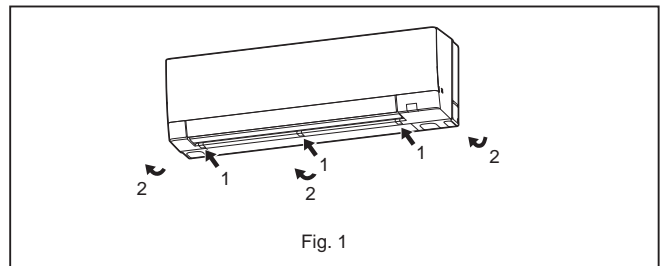
### Recuperación

Cuando se retira el refrigerante de un sistema, ya sea para el mantenimiento o el desmantelamiento, es muy recomendable que todos los refrigerantes se retiren de forma segura. Al transferir el refrigerante a los cilindros, compruebe que solo se emplean cilindros de recuperación de refrigerante adecuados. Compruebe que dispone del número correcto de cilindros para mantener la carga total del sistema. Todos los cilindros que se utilizarán están diseñados para el refrigerante recuperado y etiquetados para ese refrigerante (es decir, cilindros especiales para la recuperación de refrigerante). Los cilindros deberán disponer de una válvula de descarga de presión y de las válvulas de cierre correspondientes, todas ellas en buen estado de funcionamiento. Los cilindros de recuperación vacíos se evacúan y, si es posible, se enfrían antes de la recuperación. El equipo de recuperación deberá estar en buen estado de funcionamiento y disponer de un conjunto de instrucciones relativas al equipo; además, deberá ser adecuado para la recuperación de todos los refrigerantes correspondientes, incluyendo, en su caso, los refrigerantes inflamables. Además, deberá disponer de un juego de balanzas calibradas y en buen estado de funcionamiento. Las mangueras deberán disponer de acoplamientos de desconexión sin fugas y en buen estado. Antes de utilizar la máquina de recuperación, compruebe que se encuentra en buen estado de funcionamiento, que se ha realizado un correcto mantenimiento y que todos los componentes eléctricos correspondientes están sellados para evitar la ignición en caso de fuga de refrigerante. Consulte con el fabricante en caso de duda. El refrigerante recuperado se devolverá al proveedor de refrigerantes en el cilindro de recuperación correcto, y se gestionará la correspondiente nota de transferencia de residuos. No mezcle los refrigerantes en las unidades de recuperación, especialmente en los cilindros. Si se van a retirar los compresores o los aceites de los compresores, compruebe que se hayan evacuado hasta un nivel aceptable para asegurarse de que no queda refrigerante inflamable dentro del lubricante. El proceso de evacuación se realizará antes de devolver el compresor a los proveedores. Para acelerar este proceso, solo se empleará el calentamiento eléctrico del cuerpo del compresor. Cuando se vacíe el aceite de un sistema, se hará de forma segura.

### 6-1. EXTRACCIÓN E INSTALACIÓN DEL PANEL

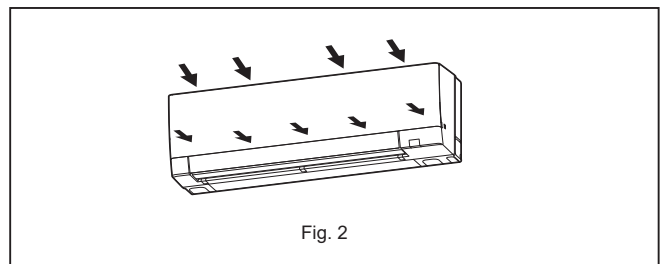
#### Procedimiento de extracción (Fig. 1)

- 1) Coloque el deflector horizontal hacia abajo.
- 2) Desmonte el deflector horizontal.
- 3) Retire el panel frontal.
- 4) Extraiga el filtro.
- 5) Retire los 6 tornillos que sujetan el panel.
- 6) El panel consta de 2 componentes. Retírelos en este orden: panel y panel superior. Para retirar el panel, extraiga los lados derecho e izquierdo. Para retirar el panel superior, extraiga los lados derecho e izquierdo.
- 7) Sujete el panel por los extremos inferiores y tire ligeramente hacia usted; a continuación, extraiga el panel.

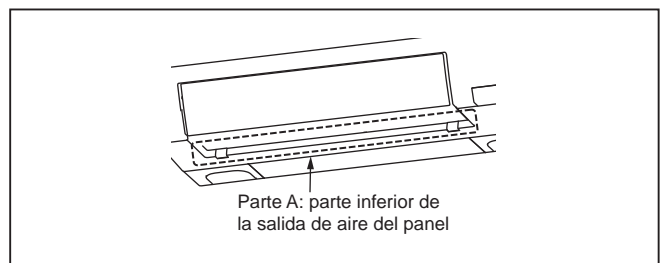


#### Procedimiento de instalación (Fig. 2)

- 1) Instale el panel siguiendo el procedimiento de extracción en orden inverso.
- 2) Asegúrese de que presiona los puntos que indican las flechas para acoplar completamente el panel a la unidad.

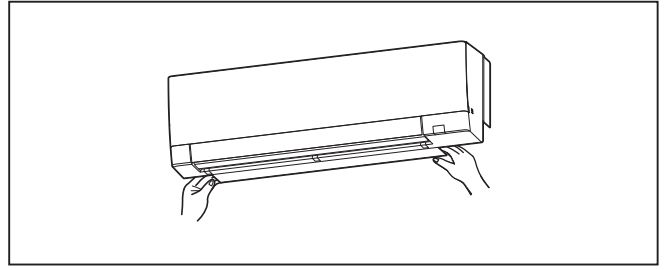


\* No sujete la parte A cuando instale/retire o transporte el panel, ya que este podría resultar dañado.



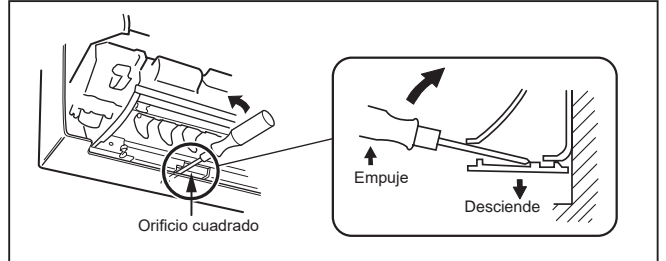
## 6-2. RETIRADA DE LA UNIDAD INTERIOR

Extraiga el botón de la unidad interior de la placa de instalación.  
Al soltar la pieza de la esquina, suelte tanto la pieza izquierda como la derecha de las esquinas de la parte inferior de la unidad interior y tire hacia abajo y hacia adelante como se muestra en la figura de la derecha.



### Si el método anterior no puede utilizarse

Retire el panel. Introduzca llaves hexagonales en los orificios cuadrados de izquierda a derecha tal y como se muestra en la figura siguiente y luego empuje hacia arriba; la parte inferior de la unidad interior descenderá y los ganchos se soltarán.



## 6-3. BOMBEO DE VACIADO

Cuando traslade o se deshaga del aire acondicionado, bombee para vaciar el sistema siguiendo el procedimiento indicado a continuación para que el refrigerante no se escape a la atmósfera.

- 1) Conecte la válvula colectora de manómetro al puerto de servicio de la válvula de retención en el lado de la tubería del gas de la unidad exterior.
- 2) Cierre completamente la válvula de retención en el lado de la tubería de líquido de la unidad exterior.
- 3) Cierre casi completamente la válvula de retención del lado de la tubería de gas de la unidad exterior para que pueda cerrarse fácilmente cuando el indicador de presión muestre 0 psi [manómetro] (0 Mpa).
- 4) Inicie el funcionamiento de COOL (REFRIGERACIÓN) de emergencia.  
Para iniciar el funcionamiento de emergencia en modo de REFRIGERACIÓN (COOL), desconecte el enchufe de alimentación y/o desactive el disyuntor. Transcurridos 15 segundos, conecte el enchufe de alimentación y/o active el disyuntor; a continuación pulse una vez el interruptor E.O. SW. (El funcionamiento de REFRIGERACIÓN (COOL) de emergencia puede realizarse de manera continuada durante 30 minutos).
- 5) Cierre completamente la válvula de retención del lado de la tubería de gas de la unidad exterior cuando el indicador de presión muestre de (0,1 a 0 psi [manómetro] 0,05 a 0 Mpa).
- 6) Detenga el funcionamiento de COOL (REFRIGERACIÓN) de emergencia.  
Para detenerlo, pulse varias veces el interruptor E.O. SW hasta que se apaguen todas las luces de los indicadores. Si desea más detalles, consulte el manual de instrucciones.

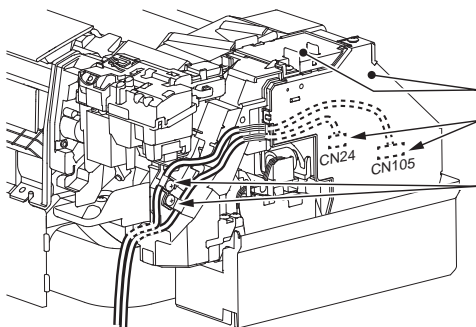
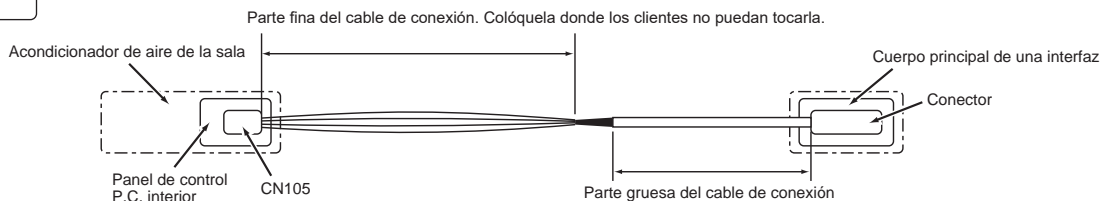
### ⚠ ATENCIÓN

**Cuando el circuito de refrigeración tiene una fuga, no realice el bombeo de vaciado con el compresor. Al bombear el refrigerante, detenga el compresor antes de desconectar las tuberías de refrigerante. El compresor podría explotar si entra aire, etc. en su interior.**

## 7. CONEXIÓN DE LA INTERFAZ/CABLE CONECTOR AL ACONDICIONADOR DE AIRE

- Conecte la INTERFAZ/CABLE CONECTOR al panel de control P.C. electrónico interior del acondicionador de aire con el cable de conexión.
- Si corta o empalma el cable de conexión de la INTERFAZ O EL CABLE CONECTOR, se producirán problemas en la conexión.  
No permita que se enrollen entre ellos el cable de conexión con el cable de alimentación, el cable de conexión interior/exterior y el cable de tierra.  
Mantenga la distancia máxima posible entre el cable de conexión y esos cables.
- La parte delgada del cable de conexión debe guardarse y situarse en un lugar donde los clientes no puedan tocarla.

### Conexión



- (1) Retire el panel y la parte situada en la esquina inferior derecha.
- (2) Abra la cubierta del panel de control P.C. interior.
- (3) Una el cable de conexión a CN105 y/o CN24 en el panel de control P.C. interior.
- (4) Enganche el cable de conexión tal y como se muestra en la figura.
- (5) Una la abrazadera de cable suministrada con la interfaz a la parte gruesa del cable de conexión con un tornillo 4x16 y ajuste el cable en las nervaduras como se muestra en la figura.
- (6) Cierre la cubierta del panel de control P.C. interior. Tenga cuidado de no enganchar la parte delgada del cable de conexión en la cubierta. Vuelva a instalar el panel y la parte situada en la esquina inferior derecha.

### ⚠ ATENCIÓN

**Fije de forma segura el cable de conexión en la posición prescrita. Una instalación incorrecta puede provocar descargas eléctricas, fuego y/o fallos de funcionamiento.**

## 8. INSTALACIÓN Y SUSTITUCIÓN DEL SENSOR DE REFRIGERANTE

- En los sistemas con caja de derivación, el sensor de refrigerante se instalará en la unidad interior antes de activar el disyuntor.  
El sensor de refrigerante se encuentra dentro del paquete de la caja de derivación o se puede pedir por separado. Número de referencia **MAC-100RS-E**.
- Si se ha instalado el sensor de refrigerante en la unidad interior, el funcionamiento del sistema puede detenerse si se detecta una fuga de refrigerante.
- Si falla el sensor de refrigerante, sustitúyalo.
- El sensor de refrigerante solo debe sustituirse por un sensor homologado por el fabricante.
- Si se produce el error del sensor de refrigerante aunque el sensor esté instalado, compruebe la conexión del cable de la parte del sensor y de la parte de la placa base.

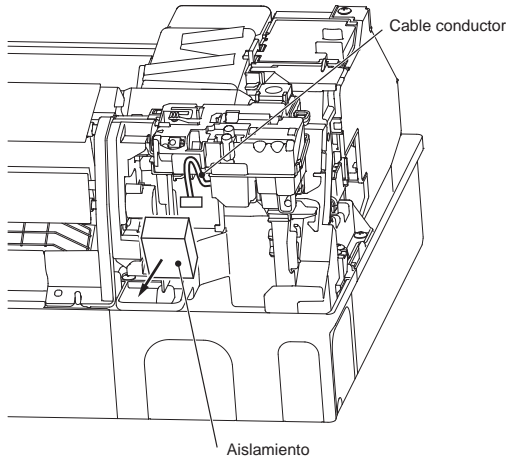


Fig. 1

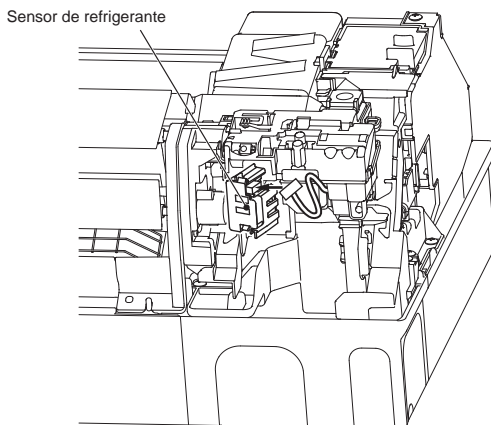


Fig. 2

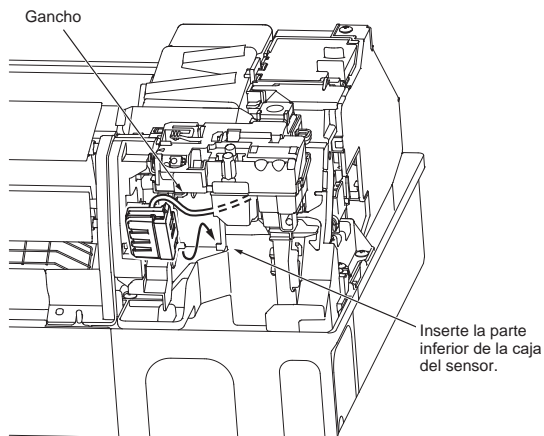


Fig. 3

- 1) Retire el panel.
- 2) Retire el aislamiento y saque el cable conductor que está debajo del aislamiento. (Fig. 1)
- 3) Conecte el cable conductor al sensor de refrigerante. (Fig. 2)
- 4) Inserte el sensor de refrigerante en la dirección de la flecha y fíjelo con el gancho. (Fig. 3)

## TABLE DES MATIERES





1. AVANT L'INSTALLATION .....	1
2. INSTALLATION DE L'UNITE INTERNE .....	6
3. INSTALLATION DE L'UNITE EXTERNE .....	9
4. PROCEDURES DE PURGE, TEST DE CONTROLE DES FUITES ET ESSAI DE FONCTIONNEMENT .....	11
5. CONFIGURATION DE LA CONNEXION AU MODULE LAN SANS FIL ...	12
6. DEPLACEMENT ET ENTRETIEN .....	13
7. CONNEXION DU CÂBLE D'INTERFACE/DE CONNECTEUR AU CLIMATISEUR .....	14
8. INSTALLATION ET REMPLACEMENT DU CAPTEUR DE REFRIGERANT ...	15

## Outils nécessaires à l'installation

Tournevis à tête Phillips	Outil d'évasement pour le modèle
Niveau	R410A/R454B
Règle graduée	Collecteur à jauge pour le modèle
Couteau tout usage ou paire de ciseaux	R410A/R454B
Scie-cloche de 3 in. (75 mm)	Pompe à vide pour le modèle
Clé dynamométrique	R410A/R454B
Clé à ouverture fixe (ou clé simple)	Tuyau de charge pour le modèle
Clé hexagonale de 5/32 in. (4 mm)	R410A/R454B
	Coupe-tuyaux avec alésoir

## 1. AVANT L'INSTALLATION

## SIGNIFICATION DES SYMBOLES AFFICHÉS SUR L'UNITÉ INTERNE ET/OU SUR L'UNITÉ EXTERNE

	Classe de sécurité du réfrigérant <b>A2L</b>	<b>AVERTISSEMENT</b> (Risque d'incendie)	Cette unité utilise un réfrigérant inflammable. Si le réfrigérant fuit et entre en contact avec une flamme ou une pièce chaude, il produira un gaz toxique et un incendie risque de se déclencher.
	Veuillez lire la NOTICE D'UTILISATION avec soin avant utilisation.		
	Le personnel d'entretien est tenu de lire avec soin la NOTICE D'UTILISATION et le MANUEL D'INSTALLATION avant utilisation.		
	De plus amples informations sont disponibles dans la NOTICE D'UTILISATION, le MANUEL D'INSTALLATION et documents similaires.		

## 1-1. INSTRUCTIONS A TOUJOURS RESPECTER PAR MESURE DE SECURITE

- Veuillez à lire les présentes instructions et consignes de sécurité.
- Veuillez à respecter les avertissements et mises en garde spécifiés ici.
- Avant de commencer la configuration du module LAN sans fil, vérifiez les consignes de sécurité dans la NOTICE D'UTILISATION du climatiseur.
- Après la lecture de ce manuel, veillez à le conserver avec les INSTRUCTIONS DE FONCTIONNEMENT pour référence ultérieure.
- Avant de brancher cet équipement au système d'alimentation, signalez-le au distributeur d'électricité ou demandez son accord.

**⚠ AVERTISSEMENT** (Pouvant entraîner des blessures graves, voire la mort.)

- **N'installez pas l'unité vous-même (utilisateur).**  
Une installation incorrecte ou incomplète peut être à l'origine d'un incendie, d'un choc électrique ou de blessures à la suite de la chute de l'unité ou de fuites d'eau. Contactez un technicien qualifié ou le revendeur à qui vous avez acheté l'unité.
- **Suivez les instructions détaillées dans le manuel d'installation.**  
Une installation incomplète peut être à l'origine d'un incendie, d'un choc électrique ou de blessures à la suite de la chute de l'unité ou de fuites d'eau.
- **Lors de l'installation de l'appareil, utiliser l'équipement de protection et les outils adéquats, par mesure de sécurité.**  
Le non-respect de ces recommandations peut être à l'origine de blessures.
- **Installez solidement l'unité dans un endroit capable de supporter son poids.**  
Si l'emplacement d'installation ne peut pas supporter le poids de l'unité, celle-ci risque de tomber et de provoquer des blessures.
- **Ne pas modifier l'appareil.**  
Cela pourrait provoquer un risque d'incendie, d'électrocution, de blessure ou de fuite d'eau.
- **Exécutez les travaux électriques selon le manuel d'installation et veillez à utiliser un circuit unique. Ne branchez pas d'autres appareils électriques au circuit.**  
Un circuit électrique d'une capacité insuffisante ou des travaux électriques incomplets peuvent être à l'origine d'un incendie ou d'un choc électrique.
- **Raccordez correctement l'unité à la terre.**  
Ne branchez pas le fil de terre à un tuyau de gaz ou d'eau, à un paratonnerre ou à la ligne de terre téléphonique. Une mise à la terre défectueuse peut entraîner un choc électrique.
- **Veillez à ne pas endommager les câbles.**  
Des câbles endommagés peuvent provoquer un incendie.
- **Veillez à toujours couper l'alimentation principale lors de la configuration de la carte à circuits imprimés interne ou du câblage.**  
Le non-respect de cette recommandation peut entraîner un choc électrique.
- **Utilisez les câbles spécifiés pour raccorder en toute sécurité les unités interne et externe. Fixez les câbles solidement pour éviter toute pression sur le bloc de raccordement.**  
Un raccordement incorrect peut provoquer un incendie.
- **N'installez pas l'unité dans un endroit exposé à des fuites de gaz inflammable.**  
La fuite ou l'accumulation de gaz autour de l'unité peut entraîner une explosion.
- **N'utilisez pas de raccord intermédiaire ou de rallonge pour brancher le cordon d'alimentation. Ne branchez pas plusieurs appareils à une prise secteur.**  
Cela peut provoquer un incendie ou un choc électrique.
- **Utilisez les pièces fournies ou spécifiées lors des travaux d'installation.**  
L'utilisation de pièces défectueuses peut être à l'origine de blessures ou de fuites d'eau dues à un incendie, un choc électrique, la chute de l'unité, etc.
- **Lors du branchement de la fiche d'alimentation dans la prise secteur, vérifiez qu'aucune poussière, saleté ni d'éléments desserrés n'est présent sur la prise et la fiche. Veillez à enfoncer à fond la fiche d'alimentation dans la prise secteur.**  
La présence de poussière, de saleté ou d'éléments desserrés sur la fiche d'alimentation ou la prise secteur peut entraîner un choc électrique ou un incendie. Remplacez les éventuels éléments desserrés.
- **Fixez correctement le couvercle du boîtier électrique de l'unité interne et le panneau de service de l'unité externe.**  
Si le couvercle du boîtier électrique de l'unité interne et/ou le panneau de service de l'unité externe sont mal fixés, ils risquent de provoquer un incendie ou un choc électrique en raison de la poussière, de l'eau, etc. présentes dans le circuit.
- **Lors de l'installation, du déplacement ou de l'entretien de l'appareil, veiller à ce qu'aucune substance autre que le réfrigérant spécifié (R454B) ne pénètre dans le circuit de réfrigération.**  
La présence d'une substance étrangère, comme de l'air dans le circuit, peut provoquer une augmentation anormale de la pression et causer une explosion, voire des blessures. L'utilisation de réfrigérant autre que celui qui est spécifié pour le système provoquera une défaillance mécanique, un mauvais fonctionnement du système, ou une panne de l'appareil. Dans le pire des cas, la sécurité du produit pourrait être gravement mise en danger.
- **Ne libérez pas le réfrigérant dans l'atmosphère. Vérifiez l'absence de fuites de gaz réfrigérant une fois l'installation terminée. En cas de fuite de réfrigérant pendant l'installation, aérez la pièce.**  
Si le réfrigérant entre en contact avec un feu, des substances toxiques peuvent se dégager. Si le réfrigérant entre en contact avec la flamme d'un appareil de chauffage à ventilation, chauffage d'appoint, poêle, etc., des substances toxiques peuvent se dégager.
- **Utilisez les outils et l'équipement de tuyauterie adaptés à l'installation.**  
La pression du réfrigérant R454B est 1,6 fois supérieure à celle du R22. L'utilisation d'outils et d'équipements non adaptés ou une installation incomplète peut provoquer l'éclatement des tuyaux et blesser quelqu'un.
- **Pendant l'opération d'aspiration du réfrigérant, arrêtez le compresseur avant de débrancher les tuyaux de réfrigérant.**  
Si les tuyaux de réfrigérant sont débranchés alors que le compresseur fonctionne et si le robinet d'arrêt est ouvert, de l'air pourrait être aspiré et la pression du cycle de réfrigération pourrait augmenter de façon anormale, entraînant l'explosion des tuyaux.
- **Pendant l'installation de l'unité, branchez correctement les tuyaux de réfrigérant avant de lancer le compresseur.**  
Si le compresseur démarre avant le branchement des tuyaux de réfrigérant et si le robinet d'arrêt est ouvert, de l'air pourrait être aspiré et la pression du cycle de réfrigération pourrait augmenter de façon anormale, entraînant l'explosion des tuyaux.



**⚠ AVERTISSEMENT** (Pouvant entraîner des blessures graves, voire la mort.)

- **Fixez un écrou évasé avec une clé dynamométrique comme spécifié dans ce manuel.**

Si il est trop serré, il risque de se rompre et de provoquer une fuite de réfrigérant.

- **Installez l'unité conformément aux normes électriques nationales.**
- **Lors de l'ouverture ou de la fermeture de la vanne à des températures négatives, du réfrigérant peut gicler de l'espace entre la tige de vanne et le corps de vanne et provoquer des blessures.**
- **Faites attention quand vous utilisez une source de chaleur auxiliaire et suivez toutes les instructions du fabricant tiers ainsi que les directives de sécurité pour l'installation et l'utilisation.**

Toute source de chaleur auxiliaire connectée à cette unité par la connexion CN24 doit être dotée d'un mécanisme de contrôle de la température indépendant. Tout manquement au montage et à l'entretien de ce mécanisme de contrôle de la température peut annuler la garantie de cette unité.

Mitsubishi Electric n'acceptera aucune obligation de garantie ni aucune autre responsabilité en cas de dommage ou de perte en connexion avec ces chauffeuses auxiliaires tiers.

- **Lorsque vous utilisez un brûleur à gaz ou un autre appareil produisant des flammes, extrayez complètement le réfrigérant du climatiseur et veillez à ce que la zone soit bien ventilée.**

Si le réfrigérant fuit et entre en contact avec une flamme ou une pièce chaude, il produira un gaz toxique et un incendie risque de se déclencher.

- **Ne faites usage d'aucun moyen visant à accélérer le processus de dégivrage ou à nettoyer autre que ceux recommandés par le fabricant.**
- **L'appareil doit être rangé dans une pièce ne contenant aucune source d'allumage continue (exemple : flammes nues, appareil à gaz ou chauffage électrique).**
- **Ne percez pas et ne brûlez pas l'appareil.**
- **Sachez que les réfrigérants peuvent être inodores.**
- **La tuyauterie doit être protégée contre tout dommage physique.**
- **L'installation de tuyauterie doit être limitée au strict minimum.**
- **Les réglementations nationales sur les gaz doivent être respectées.**
- **Gardez les ouvertures de ventilation libres d'obstruction.**
- **La tuyauterie, y compris le matériau des tuyaux, l'acheminement des tuyaux et l'installation doit inclure une protection contre les dommages physiques pendant le fonctionnement et l'entretien, et doit être conforme aux codes et normes nationaux et locaux tels que ASHRAE 15, ASHRAE 15.2, le Code mécanique uniforme IAPMO, le Code mécanique international ICC ou CSA B52.**
- **Tous les raccords réalisés sur place doivent être accessibles pour inspection avant d'être couverts ou enfermés.**

- **L'installation de la tuyauterie doit être limitée au strict minimum.**
- **N'enlevez pas les MARQUES ROUGES près de la partie de raccordement du tuyau.**

**Zone ventilée**

- **Assurez-vous que la zone est à ciel ouvert ou suffisamment ventilée avant de pénétrer dans le système ou de procéder à des travaux à chaud. Un certain niveau de ventilation doit être maintenu pendant la période de réalisation du travail. La ventilation doit disperser en toute sécurité tout réfrigérant libéré et, de préférence, l'expulser à l'extérieur dans l'atmosphère.**

**Pour le module LAN sans fil**

- **N'installez pas l'unité interne équipée du module LAN sans fil à proximité de dispositifs de commande automatique comme des portes automatiques ou des alarmes d'incendie.**

Ceci pourrait provoquer un accident à cause de dysfonctionnements.

- **N'utilisez pas l'unité interne équipée du module LAN sans fil à proximité d'un appareil électrique médical ou de personnes portant un dispositif médical tel qu'un stimulateur cardiaque ou un défibrillateur automatique implantable.**

Il pourrait provoquer un accident en cas de dysfonctionnement de l'appareil médical ou du dispositif.

- **Cette unité interne équipée du module LAN sans fil doit être installée et utilisée en laissant une distance minimale de 8 in. (20 cm) entre le dispositif et l'utilisateur ou les personnes présentes.**

**Pour les systèmes avec boîtier de dérivation**

- **Ne coupez pas le disjoncteur sauf en cas d'odeur de brûlé ou lors des travaux de maintenance ou d'inspection.**

Le capteur de réfrigérant monté dans l'unité interne ne recevrait plus d'alimentation et ne pourrait pas détecter la fuite de réfrigérant. Ceci pourrait provoquer un incendie.

**⚠ ATTENTION** (Pouvant entraîner des blessures graves si l'unité n'est pas utilisée correctement.)

- **Installez un disjoncteur de fuites à la terre selon l'endroit d'installation.**

Si le disjoncteur de fuites à la terre n'est pas installé, un choc électrique peut se produire.

- **Réalisez les travaux de vidange/tuyauterie conformément au manuel d'installation.**

Si les travaux de vidange/tuyauterie ne sont pas réalisés correctement, de l'eau pourrait s'écouler de l'unité et endommager le mobilier.

- **Ne touchez ni l'entrée d'air ni les ailettes en aluminium de l'unité externe.**

Cela peut provoquer des blessures.

- **Veillez porter un équipement de protection pour toucher la base de l'unité externe.**

Le non-respect du port de l'équipement de protection peut être à l'origine de blessures.

- **N'installez pas l'unité externe à proximité de l'habitat de petits animaux.**

Si des petits animaux entrent dans l'unité et endommagent ses composants électriques, ils peuvent provoquer un dysfonctionnement, des émissions de fumée ou un incendie. Nettoyez régulièrement la périphérie de l'unité.

**Pour le module LAN sans fil**

- **Pour éviter tout dommage provoqué par l'électricité statique, touchez un corps métallique se trouvant à proximité pour décharger l'électricité statique de votre corps avant de toucher l'unité interne équipée du module LAN sans fil.**

L'électricité statique provenant du corps humain peut endommager le module LAN sans fil.

- **N'utilisez pas l'unité interne équipée du module LAN sans fil à proximité d'autres dispositifs sans fil, de fours à microondes, de téléphones sans fil ou de télécopieurs.**

Ceci pourrait provoquer des dysfonctionnements.

- **Avant de commencer l'installation de cette unité interne équipée du module LAN sans fil, l'utilisateur final doit lire et accepter les termes et conditions du service LAN sans fil.**

**Pour les systèmes avec boîtier de dérivation**

- **N'installez pas l'unité dans un endroit où de la fumée, des gaz ou des produits chimiques peuvent s'accumuler.**

Le capteur de réfrigérant monté dans l'unité interne peut réagir à ces substances et afficher une erreur de fuite de réfrigérant.

- **Faites attention à la rotation du ventilateur quand le disjoncteur est activé.** Lorsque le capteur de réfrigérant détecte la fuite de réfrigérant, le ventilateur démarre automatiquement. Cela risque d'entraîner des blessures.

- **Lorsque vous utilisez un aérosol pour la construction intérieure, les travaux de finition ou le scellement d'une ouverture murale, coupez le disjoncteur et ventilez bien la pièce. Le capteur de réfrigérant peut réagir au gaz contenu dans les aérosols, ce qui peut provoquer une fausse détection.**

## 1-2. CHOIX DE L'EMPLACEMENT D'INSTALLATION

### UNITE INTERNE

#### ⚠️ AVERTISSEMENT

- La hauteur de montage de l'unité interne doit être d'au moins 5,9 ft (1,8 m) par rapport au sol. Une hauteur maximum de 7,5 ft (2,3 m) est recommandée.
- L'unité doit être installée dans des pièces dont la superficie dépasse la superficie minimale ( $A_{min}$ ) déterminée par quantité totale de réfrigérant (M).

#### SYSTEME SANS BOITIER DE DERIVATION

M		$A_{min}$	
[kg]	[lb, oz]	[m <sup>2</sup> ]	[ft <sup>2</sup> ]
0,5	1	1	1,9
0,6	1	5	2,3
0,7	1	8	2,6
0,8	1	12	3,0
0,9	1	15	3,4
1,0	2	3	3,8
1,1	2	6	4,1
1,2	2	10	4,5
1,3	2	13	4,9
1,4	3	1	5,2
1,5	3	4	5,6
1,6	3	8	6,0
1,7	3	11	6,3
1,8	3	15	6,8
1,9	4	3	7,2
2,0	4	6	7,6
2,1	4	10	7,9
2,2	4	13	8,3
2,3	5	1	8,7
2,4	5	4	9,1
2,5	5	8	9,4
2,6	5	11	9,8
2,7	5	15	10,2
2,8	6	2	10,6

#### SYSTEME AVEC BOITIER DE DERIVATION

Consultez le manuel d'installation de l'unité multiple.

- Emplacement favorisant la circulation d'air.
- Emplacement favorisant une bonne répartition de l'air froid (ou chaud) dans la pièce.
- Mur solide sans vibration.
- Emplacement non exposé aux rayons directs du soleil. Ne pas exposer aux rayons directs du soleil pendant la période entre le déballage et l'utilisation.
- Emplacement permettant d'effectuer facilement la vidange.
- Emplacement à une distance de 3 ft (1 m) minimum d'un téléviseur et d'une radio. Le fonctionnement du climatiseur peut interférer avec la réception TV ou radio. Il peut s'avérer nécessaire de brancher un amplificateur sur l'appareil concerné.
- Emplacement aussi éloigné que possible des lampes fluorescentes et à lumière incandescente (de façon à ce que le climatiseur puisse capter les signaux infrarouges envoyés par la télécommande).
- Emplacement permettant de déposer et de remplacer facilement le filtre à air.
- Emplacement éloigné de sources de chaleur ou de vapeur.

#### Pour le module LAN sans fil

- Avant de commencer l'installation de cette unité interne équipée du module LAN sans fil, veuillez vous assurer que le routeur prend en charge le chiffrement WPA2-AES.
- Cette unité interne équipée du module LAN sans fil ne doit être installée et connectée à aucun système Mitsubishi Electric destiné à fournir un refroidissement ou un chauffage essentiel à une application.

#### Pour les systèmes avec boîtier de dérivation

- N'installez pas l'unité dans un environnement où sont utilisés des équipements au gaz propane, butane ou méthane, des aérosols comme par exemple des insecticides, des appareils générant de la fumée, des peintures et des produits chimiques, ou à un endroit où un gaz à base de soufre est généré.
- Le capteur de réfrigérant monté dans l'unité interne peut réagir à ces substances et afficher une erreur de fuite de réfrigérant. Cela pourrait empêcher l'unité de fonctionner.

#### Remarque :

Installez l'unité interne à une certaine hauteur sur le mur pour répartir l'air uniformément dans la pièce.

### TELECOMMANDE

- Emplacement dont l'accès est facile et visible.
- Emplacement hors de portée des enfants.
- Emplacement à environ 4 ft (1,2 m) au-dessus du sol. Vérifiez que l'unité interne reçoit les signaux envoyés par la télécommande à partir de cet emplacement (un ou deux signaux sonores indiquent que la réception est bonne). Si un support de télécommande est fourni, installez-le à un emplacement où l'unité interne peut recevoir des signaux.

#### Remarque :

L'unité interne risque de ne pas recevoir les signaux de la télécommande dans des pièces éclairées par des lampes fluorescentes à inversion.

### UNITE EXTERNE

- Emplacement à l'abri de vents violents. Si l'unité externe avec fonction de dégivrage est exposée au vent, le dégivrage sera plus lent.
- Emplacement favorisant une bonne circulation d'air sans poussière.
- Emplacement ne générant pas de nuisance pour le voisinage (bruit de fonctionnement ou pulsation d'air chaud (ou froid)).
- Emplacement sur un mur ou un support rigide pour éviter l'augmentation du bruit de fonctionnement ou des vibrations.
- Emplacement qui ne risque pas d'être exposé à des fuites de gaz combustible.
- Lorsque l'unité est placée en hauteur, les pieds doivent être fixés.
- Emplacement à une distance de 10 ft (3 m) minimum de l'antenne TV ou radio. Le fonctionnement du climatiseur peut interférer avec la réception TV ou radio dans des zones où la réception est faible. Il peut s'avérer nécessaire de brancher un amplificateur sur l'appareil concerné.
- Installez l'unité horizontalement.
- Installez l'unité dans un endroit à l'abri du vent et de la neige. Dans les zones soumises à de fortes chutes de neige, installez un abri, un socle et/ou des écrans de protection.

#### Remarque :

- Il est conseillé de faire une boucle avec le tuyau à proximité de l'unité externe pour réduire les vibrations.
- Pour une meilleure efficacité, installez l'unité externe dans un endroit à l'abri des rayons directs du soleil et des chutes excessives d'eau.

#### Remarque :

Si vous utilisez le climatiseur alors que la température extérieure est basse, veuillez à observer les instructions ci-dessous.

- N'installez jamais l'unité externe dans un endroit où le côté présentant l'entrée/la sortie d'air risque d'être directement exposé au vent.
- Pour protéger l'unité externe du vent, installez-la de façon à ce que l'entrée d'air soit face au mur et placez un écran de protection du côté de la sortie. Pour éviter tout dysfonctionnement, ne placez pas le climatiseur dans les endroits suivants.
- En présence de fuites de gaz inflammable.
- En présence d'une quantité excessive d'huile de machine dans l'air.
- Dans des endroits exposés à des projections d'huile ou dont l'atmosphère est chargée d'huile (tels que les centres de cuisson et les usines susceptibles de modifier et d'altérer les caractéristiques du plastique).
- En présence d'air salé (bord de mer).
- En présence de gaz sulfurés qui se dégagent par exemple des sources chaudes ou des eaux usées.
- En présence d'équipements haute fréquence ou sans fil
- En présence d'émissions importantes de COV (composés organiques volatiles), dont les composés de phthalate, le formaldéhyde etc., qui peuvent provoquer un craquage chimique.
- L'appareil sera entreposé de manière à prévenir tout dommage mécanique.

### 1-3. FICHE TECHNIQUE

#### 1-3-1. BRANCHEMENT DU CORDON D'ALIMENTATION ET DU CÂBLE DE CONNEXION DE L'UNITÉ INTERNE/EXTERNE

- L'alimentation doit provenir d'un circuit unique.
- Les travaux de câblage doivent respecter les normes techniques en vigueur.
- Les raccordements doivent correspondre au schéma de câblage.
- Serrez fermement les vis.

#### Raccordement des câbles et du câble de terre

- Utiliser un conducteur massif min. AWG14 ou un conducteur toronné min. AWG14.
- Utilisez un câble en cuivre à double blindage avec isolation 600 V.
- Utilisez des conducteurs en cuivre uniquement.
- Respectez la réglementation électrique locale en vigueur.

#### Cordon d'alimentation et câble de terre

- Utiliser un conducteur massif ou toronné : Min. AWG10
- Utilisez des conducteurs en cuivre uniquement.
- \* Respectez la réglementation électrique locale en vigueur.

#### Remarque :

Lorsque l'unité interne est alimentée par l'unité externe, vous devez installer un sectionneur sur un circuit électrique conformément à la réglementation locale en vigueur.

#### 1-3-2. CONDUITES DE REFRIGERANT

- Pour éviter la formation de condensation, isolez les deux conduites de réfrigérant.

#### ATTENTION

Utilisez toujours un matériau d'isolation de l'épaisseur spécifiée (tableau à droite). Une isolation trop épaisse peut être à l'origine d'une installation incorrecte de l'unité interne ; une isolation trop fine peut provoquer la formation de condensation.

- Le rayon de pliage de la conduite de réfrigérant doit être de 4 in. (100 mm) minimum.
- L'unité comporte des raccordements évasés sur les faces intérieure et extérieure.
- Retirez le couvercle de vanne de l'unité externe et raccordez le tuyau.
- Les conduites de réfrigérant servent à raccorder les unités interne et externe.
- Veillez à ne pas écraser ni plier de manière excessive le tuyau lors de sa mise en forme.
- Quantité de réfrigérant... Si la longueur de tuyauterie dépasse la longueur de tuyauterie sans charge, une quantité de réfrigérant supplémentaire (R454B) est nécessaire. Voir le tableau suivant.
- Veuillez choisir soigneusement l'emplacement de l'unité interne lorsque les longueurs de tuyau sont inférieures à 16 ft (5 m), car il pourrait se produire des bruits intermittents pendant le fonctionnement normal qui seraient perceptibles dans des environnements très calmes.

\*1 Lors de l'installation d'unités multiples, reportez-vous au manuel d'installation des unités externes multiples pour l'installation de l'unité.

#### Ajustement de réfrigérant \*1

Longueur de tuyau sans charge A	50 ft (15 m)
Ajustement de réfrigérant B	0,22 oz/ft (20 g/m)
Réfrigérant supplémentaire	Longueur de tuyau jusqu'à A : Aucun besoin Longueur de tuyau supérieure à A : B × (longueur de tuyau - A)

#### Spécifications électriques

MODELE	INTERNE	MSZ-GX18NL MSY-GX18NL		MSZ-GX24NL MSY-GX24NL		MSZ-GX30NL MSY-GX30NL	MSZ-GX36NL MSY-GX36NL
	EXTERNE	MUZ-GX18NL(H) MUY-GX18NL	MUZ-GX18NLHZ	MUZ-GX24NL(H) MUY-GX24NL	MUZ-GX24NLHZ	MUZ-GX30NL(H) MUY-GX30NL	MUZ-GX36NL(H) MUY-GX36NL
<b>UNITE INTERNE</b>							
Alimentation (V, PHASÉ, Hz)	208/230, 1, 60						
Intensité min. du circuit (A)	1						
<b>UNITE EXTERNE</b>							
Alimentation (V, PHASÉ, Hz)	208/230, 1, 60						
Taille max. des fusibles (temporisé) (A)	25	25	25	25	25	25	25
Intensité min. du circuit (A)	23	23	23	23	NL : 23 NLH : 24	NL : 23 NLH : 24	NL : 23 NLH : 24
Tension de commande	Unité interne - Télécommande : (sans fil)						

Tuyau	Diamètre extérieur	Épaisseur minimum du mur	Épaisseur de l'isolation	Matériau d'isolation
	in. (mm)			
Pour les liquides	1/4 (6,35)	0,0315 (0,8)	5/16 (8)	Plastique expansé résistant à la chaleur d'une densité spécifique de 0,045
Pour le gaz	GX18	1/2 (12,7)	0,0315 (0,8)	
	GX24/30/36	5/8 (15,88)	0,0394 (1,0)	5/16 (8)

#### Limite du tuyau télescopique \*1

Longueur maxi. des tuyaux	100 ft (30 m)
Différence de hauteur maxi.	50 ft (15 m)
Nombre de coudes maxi.	10

# 1-4. SCHEMA D'INSTALLATION

## ACCESSOIRES

Vérifiez les pièces suivantes avant l'installation.  
<Unité interne>

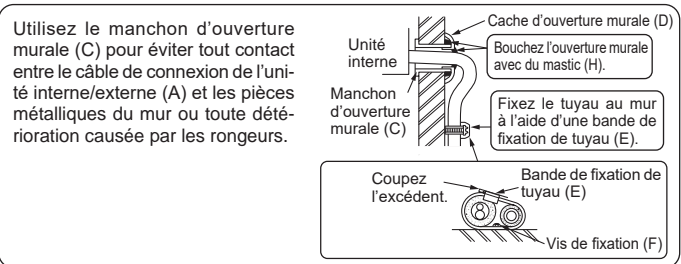
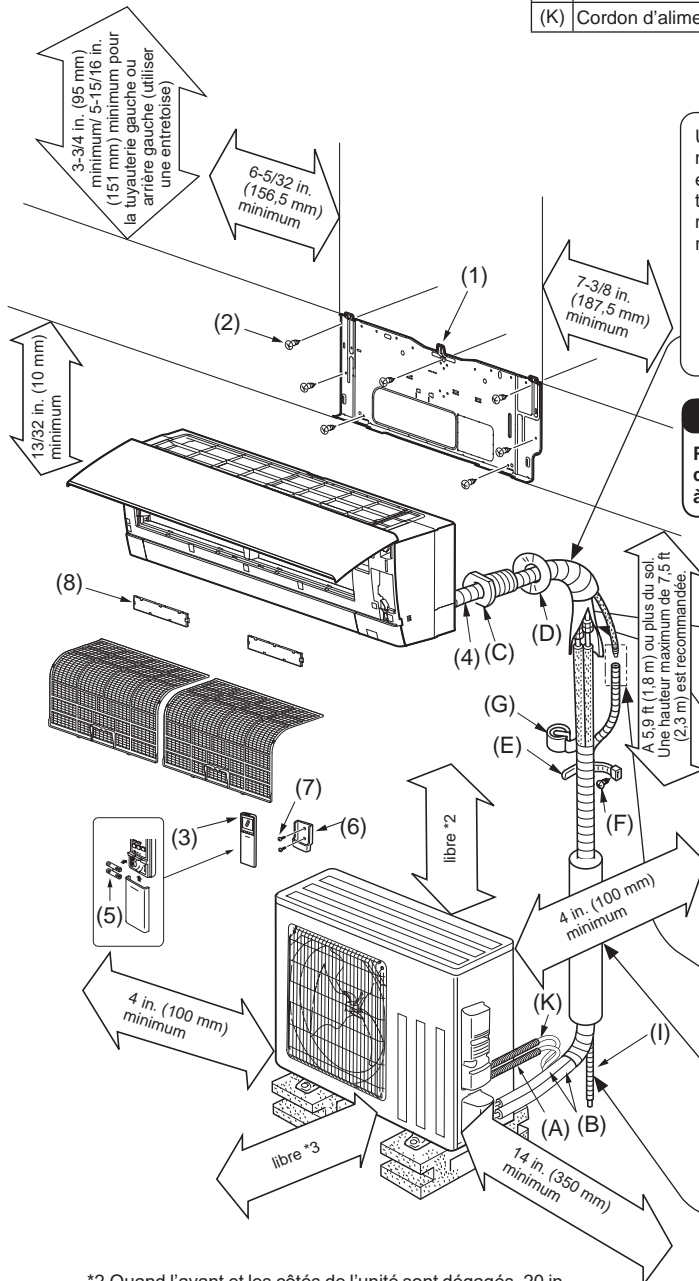
(1)	Gabarit d'installation	1
(2)	Vis de fixation du gabarit d'installation 4 x 25 mm	7
(3)	Télécommande sans fil	1
(4)	Bande de feutre (pour la tuyauterie gauche ou arrière gauche)	1
(5)	Pile (AAA) pour (3)	2
(6)	Support de la télécommande	1
(7)	Vis du support de la télécommande (6) 3,5 x 16 mm (noir)	2
(8)	Filtre d'épuration d'air	2

## PIECES FOURNIES SUR CHANTIER

(A)	Câble de connexion de l'unité interne/externe*1	1
(B)	Tuyau télescopique	1
(C)	Manchon d'ouverture murale	1
(D)	Cache d'ouverture murale	1
(E)	Bande de fixation de tuyau	2 - 5
(F)	Vis de fixation pour (E) 4 x 20 mm	2 - 5
(G)	Ruban adhésif de tuyauterie	1
(H)	Mastic	1
(I)	Tuyau de vidange (ou tuyau en PVC souple, 15 mm de diamètre intérieur ou tuyau en PVC dur VP30)	1
(J)	Tuyau de vidange (ou tuyau en PVC souple, 15 mm de diamètre intérieur ou tuyau en PVC dur VP16)	0 ou 1
(K)	Cordon d'alimentation*1	1

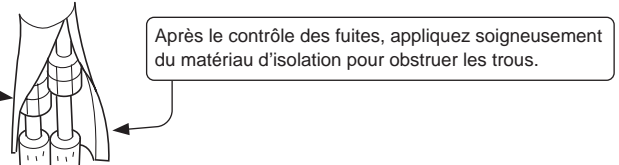
### Remarque :

\*1 Placez le câble de connexion de l'unité interne/externe (A) et le cordon d'alimentation (K) à 3 ft (1 m) minimum du câble de l'antenne TV.



**⚠️ AVERTISSEMENT**

Pour les systèmes avec boîtier de dérivation, pour éviter tout risque d'incendie, les raccords évasés doivent être installés dans l'unité interne ou à l'extérieur.



Si la tuyauterie doit être fixée sur un mur contenant de l'étain ou un treillis métallique, utilisez un morceau de bois traité d'une épaisseur de 25/32 in. (20 mm) minimum entre le mur et la tuyauterie, ou enveloppez la tuyauterie de ruban adhésif en vinyle. Pour utiliser la tuyauterie existante, lancez le mode de REFROIDISSEMENT (COOL) pendant 30 minutes et purgez avant de déposer l'ancien climatiseur. Effectuez l'évasement selon les dimensions du nouveau réfrigérant.

Couvrez le raccord avec du ruban adhésif pour éviter toute fuite d'eau.

**⚠️ AVERTISSEMENT**

Pour éviter tout risque d'incendie, encastrez ou protégez les conduites de réfrigérant. Tout endommagement externe des conduites de réfrigérant peut provoquer un incendie.

Ne bloquez pas l'entrée de l'unité externe avec la partie excédentaire des tuyaux.

\*2 Quand l'avant et les côtés de l'unité sont dégagés, 20 in. (500 mm) ou plus  
\*3 Lorsque 2 côtés (gauche, droit, ou arrière) de l'unité sont dégagés, 20 in. (500 mm) minimum

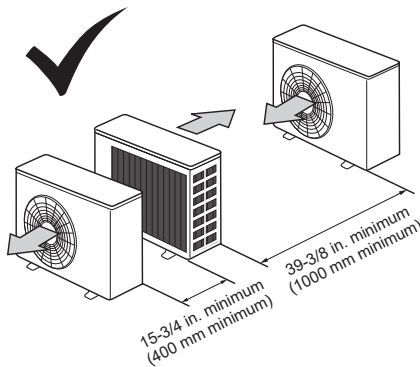
### REMARQUES IMPORTANTES

Vérifiez que les câbles ne seront pas soumis à aucun des éléments suivants : usure, corrosion, pression excessive, vibrations, arêtes aiguës ou autres effets environnementaux négatifs. Le contrôle tiendra également compte des effets du vieillissement ou des vibrations continues provenant de sources telles que les compresseurs ou les ventilateurs.

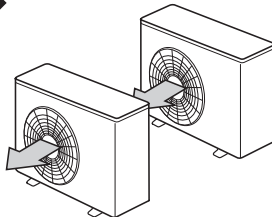
Les unités doivent être installées par des entrepreneurs agréés conformément à la réglementation locale en vigueur.

**Remarque :**

- Les dimensions indiquées à l'intérieur des flèches (↔) ci-dessus montrent l'espace requis pour garantir les performances du climatiseur. Installez l'unité externe à un endroit où elle pourra bénéficier du maximum d'espace possible en pensant à un possible changement de place futur, à l'entretien ou aux réparations.
- Les performances de refroidissement/chauffage et le rendement électrique peuvent diminuer d'environ 10% à un endroit où un cycle court peut potentiellement se produire pour cause de mauvaise ventilation. L'installation du guidage de sortie d'air (en option) peut améliorer les performances.
- Si de l'air expulsé par la sortie souffle contre le mur, il pourrait tacher le mur.

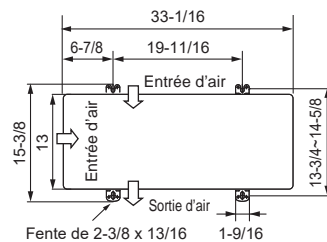


**X** N'aspirez pas directement l'air expulsé par d'autres unités.

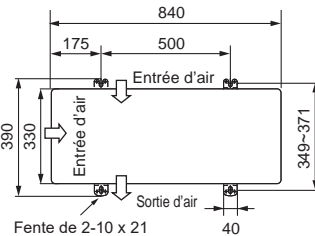


**Installation de l'unité externe**

Unité : in.



Unité : mm



**Tuyau de vidange pour unité externe**

Installez l'unité horizontalement. N'utilisez pas de prise de vidange dans des régions froides. Sinon, l'eau de vidange pourrait geler et provoquer l'arrêt du ventilateur. L'unité externe produit de la condensation lors de la phase de chauffage. Choisissez l'emplacement d'installation de façon à veiller à ce que l'unité externe et/ou le sol ne deviennent pas humides en raison de condensats ou qu'ils ne soient pas endommagés par du condensat gelé.



**Tuyau de vidange de l'unité externe**

- La prise de vidange est une pièce disponible en option.
- Installez le tuyau de vidange avant de raccorder la tuyauterie des unités interne et externe.
- Raccordez le tuyau de vidange (J) diam. int. de 15 mm comme sur l'illustration.
- Veillez à installer le tuyau de vidange vers le bas pour faciliter le flux de vidange.

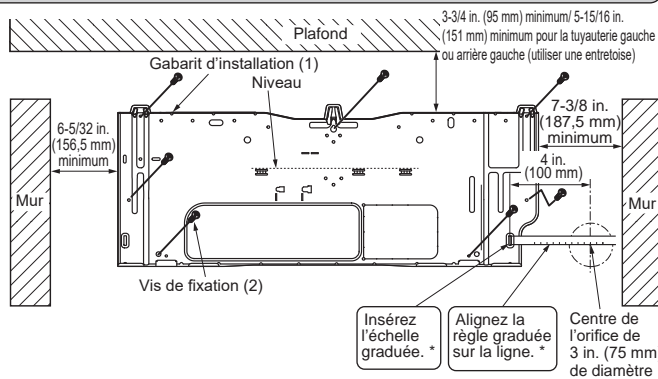
**Remarque:**

Toujours installer l'appareil à l'horizontale. N'utilisez pas de douille de vidange dans les régions froides. Le liquide vidangé pourrait geler et provoquer l'arrêt du ventilateur. L'unité externe produit de la condensation en mode de chauffage. Choisir le lieu d'installation du climatiseur de façon à éviter que l'unité externe et/ou le sol ne soient mouillés par les condensats ou endommagés par le gel des condensats.

**2. INSTALLATION DE L'UNITE INTERNE**

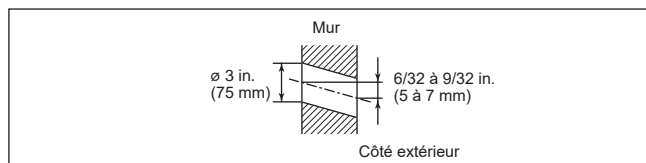
**2-1. FIXATION DU GABARIT D'INSTALLATION**

- Repérez un goujon dans le mur pour fixer le gabarit d'installation (1) horizontalement en serrant fermement les vis de fixation (2).
- Pour éviter toute vibration du gabarit d'installation (1), veillez à installer les vis de fixation dans les orifices indiqués sur l'illustration. Pour un support supplémentaire, des vis peuvent également être installées dans d'autres orifices.
- Après avoir enlevé l'alvéole défonçable, appliquer du ruban vinyle sur ses bords pour éviter d'endommager les fils.
- Lorsque l'unité interne doit être fixée sur un mur en béton avec des boulons à encaster, fixez le gabarit d'installation (1) à l'aide d'une ouverture ovale de 7/16 in. x 13/16 in. · 7/16 in. x 1 in. (11 mm x 20 mm · 11 mm x 26 mm) (pas de 17-3/4 in. [450 mm]).
- Si le boulon à encaster est trop long, remplacez-le par un boulon plus court (fourni sur chantier).



**2-2. PERCEMENT**

- 1) Déterminez la position des orifices sur le mur.
- 2) Percez un orifice de 3 in. (75 mm) de diamètre. Le côté extérieur doit être 6/32 à 9/32 in. (5 à 7 mm) plus bas que le côté intérieur.
- 3) Insérez le manchon d'ouverture murale (C).

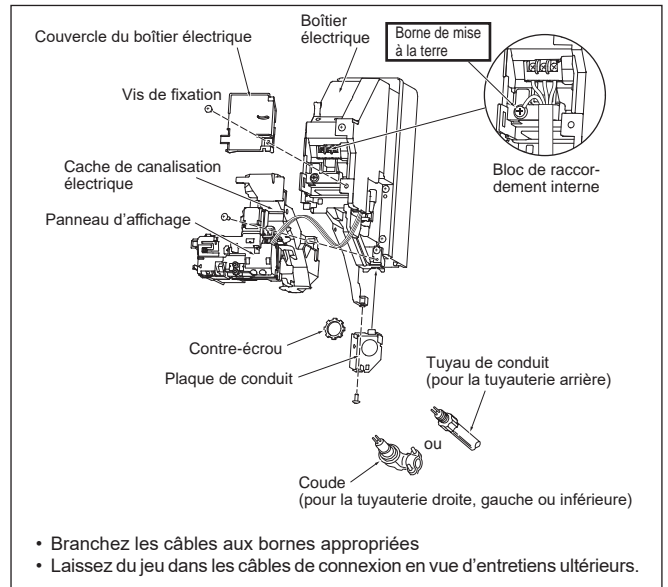


## 2-3. RACCORDEMENT DES CABLES DE L'UNITÉ INTERNE

### Remarque :

Lorsque l'unité interne est alimentée par l'unité externe, vous devez installer un sectionneur sur un circuit électrique conformément à la réglementation locale en vigueur.

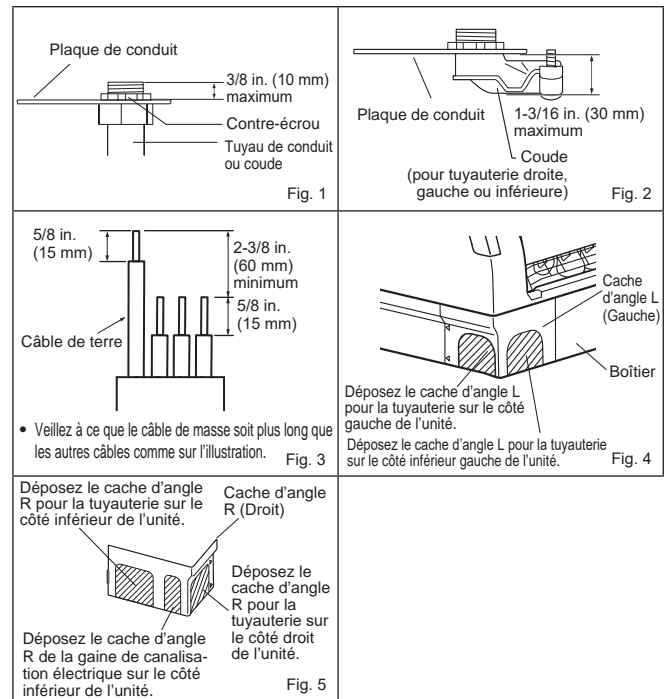
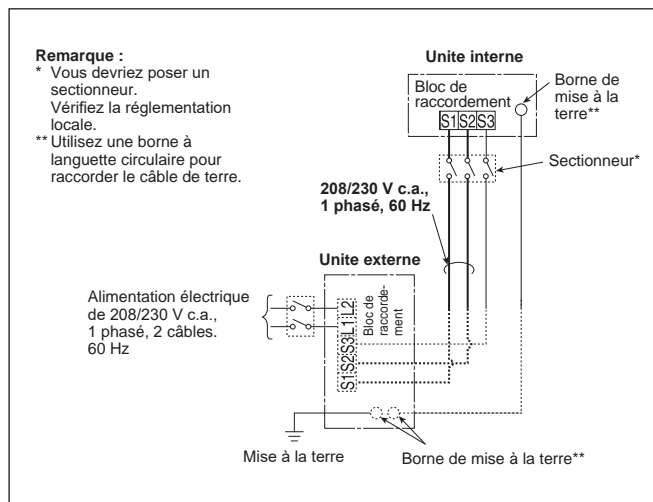
- 1) Déposez le panneau. (Se reporter à la section 6-1.)
- 2) Placez la partie supérieure de l'unité interne sur le gabarit d'installation.
- 3) Retirez le cache d'angle R et le boîtier électrique.
- 4) Retirez le panneau d'affichage, le cache de conduit et la plaque de conduit.
- 5) Fixez le tuyau de conduit (pour la tuyauterie arrière) / le coude (pour la tuyauterie droite, gauche ou inférieure) sur la plaque de conduit à l'aide d'un contre-écrou. Le filetage du tuyau de conduit / du coude apparaissant à l'intérieur doit être inférieur à 3/8 in. (10 mm). (Fig. 1) A l'extérieur, le coude doit sortir de moins de 1-3/16 in. (30 mm). (Fig. 2)
- 6) Préparez l'extrémité du câble de terre (Fig. 3). Branchez-la à la borne de mise à la terre du boîtier électrique.
- 7) Préparez l'extrémité du câble de connexion de l'unité interne/externe (A) (Fig. 3). Branchez-la au bloc de raccordement. Veillez à ne pas effectuer d'erreur de branchement. Fixez fermement le câble au bloc de raccordement pour ne pas faire apparaître son noyau et n'appliquez aucune force extérieure à la section de branchement du bloc de raccordement.
- 8) Serrez fermement les vis de fixation. Après l'opération de serrage, vérifiez que les câbles sont bien fixés.
- 9) Remontez la plaque de conduit, le cache de conduit et le panneau d'affichage.
- 10) Selon le sens de la tuyauterie, déposez la partie ombrée du cache d'angle L (Fig. 4) ou du cache d'angle R (Fig. 5). Remontez le boîtier électrique, le cache d'angle R et le panneau.



### REMARQUE IMPORTANTE

Pour les systèmes avec boîtier de dérivation, le capteur de réfrigérant doit être installé.

Consultez la section INSTALLATION ET REMPLACEMENT DU CAPTEUR DE REFRIGÉRANT ci-après.



## 2-4. MISE EN FORME DE TUYAU ET TUYAU DE VIDANGE

### 2-4-1. MISE EN FORME DE TUYAU

- Placez le tuyau de vidange sous la conduite de réfrigérant.
- Assurez-vous que le tuyau de vidange n'est ni encombré ni plié.
- Ne tirez pas sur le tuyau pour y appliquer le ruban adhésif.
- Lorsque le tuyau de vidange passe dans la pièce, veillez à l'envelopper d'un morceau de matériau d'isolation (fourni sur chantier).

#### Remarque :

Veillez à ne pas endommager le cache de la conduite de réfrigérant lors de sa fixation avec les vis.

#### Tuyauterie gauche ou arrière gauche

##### Remarque :

Veillez à fixer de nouveau le tuyau et le bouchon de vidange si la tuyauterie a été installée sur le côté gauche ou inférieur gauche de l'unité. Sinon, de l'eau pourrait s'écouler du tuyau de vidange.

- 1) Assemblez la conduite de réfrigérant et le tuyau de vidange, puis recouvrez-les d'une bande de feutre (4) à partir de l'extrémité.  
La largeur de chevauchement de la bande de feutre (4) doit correspondre au 1/3 de la largeur de la bande. Utilisez une agrafe de bande à l'extrémité de la bande de feutre (4).
- 2) Retirez le bouchon de vidange du côté arrière droit de l'unité interne. (Fig. 1)
  - Immobilisez l'extrémité de la partie convexe et retirez le bouchon de vidange.
- 3) Retirez le tuyau de vidange du côté arrière gauche de l'unité interne. (Fig. 2)
  - Immobilisez l'attache indiquée par les flèches et tirez le tuyau de vidange vers l'avant.
- 4) Placez le bouchon de vidange sur la section sur laquelle le tuyau de vidange doit être fixé à l'arrière de l'unité interne. (Fig. 3)
  - Insérez un tournevis dans l'orifice situé sur le bouchon et enfoncez complètement le bouchon dans le bac de vidange.
- 5) Insérez complètement le tuyau de vidange dans le bac de vidange sur le côté arrière droit de l'unité interne. (Fig. 4)
  - Veillez à ce que le tuyau soit fermement fixé sur le bac de vidange grâce à la saillie qui se trouve sur la partie insérée.
- 6) Insérez le tuyau de vidange dans le manchon d'ouverture murale (C) et fixez la partie supérieure de l'unité interne sur le gabarit d'installation (1). Déplacez ensuite l'unité interne complètement vers la gauche pour faciliter le placement de la tuyauterie à l'arrière de l'unité.
- 7) Découpez deux parties du carton d'expédition (utilisez deux des quatre parties), roulez-les, fixez-les sur la saillie arrière et utilisez-les comme entretoise pour soulever l'unité interne. (Fig. 5)
- 8) Raccordez la conduite de réfrigérant à l'aide du tuyau télescopique (B).
- 9) Fixez la partie inférieure de l'unité interne sur le gabarit d'installation (1).

#### Tuyauterie arrière ou inférieure

- 1) Assemblez la conduite de réfrigérant et le tuyau de vidange, appliquez ensuite fermement le ruban adhésif de tuyauterie (G) à partir de l'extrémité.
- 2) Insérez la conduite et le tuyau de vidange dans le manchon d'ouverture murale (C) et fixez la partie supérieure de l'unité interne sur le gabarit d'installation (1).
- 3) Vérifiez si l'unité interne est correctement fixée sur le gabarit d'installation (1) en le déplaçant d'un côté à l'autre.
- 4) Repoussez fermement la partie inférieure de l'unité interne sur le gabarit d'installation (1).

#### Tuyauterie droite

##### Remarque :

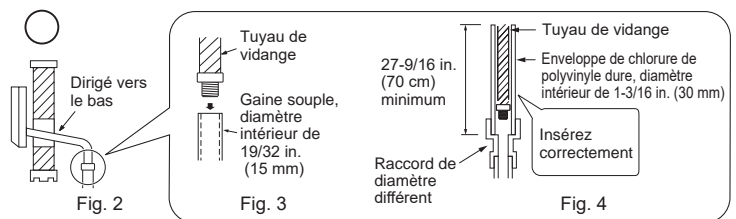
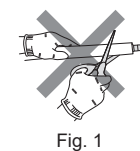
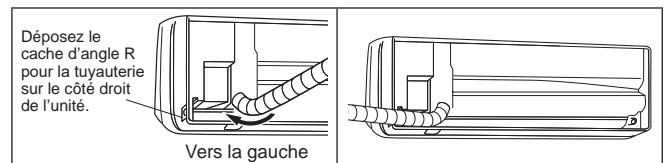
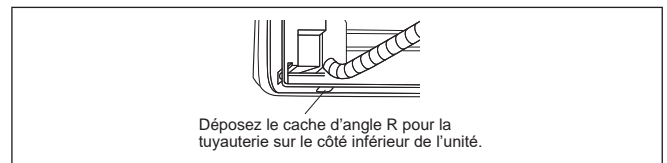
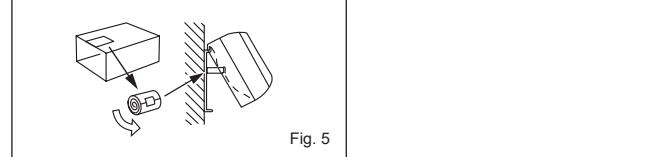
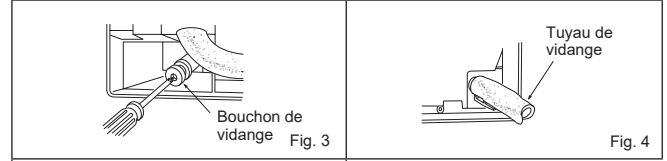
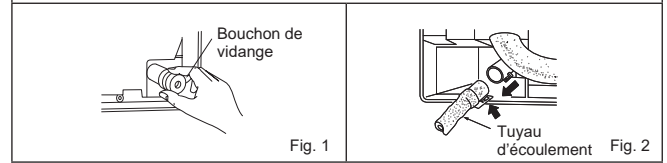
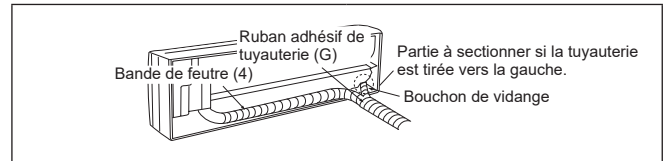
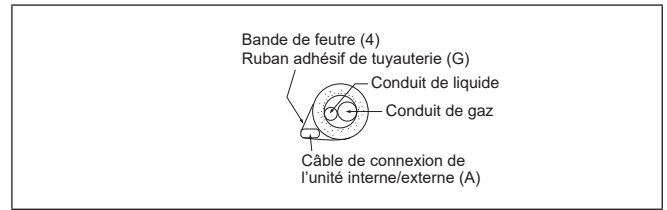
Avant d'effectuer la procédure suivante, vérifiez que le câblage est terminé et que le cache de conduit est installé. (Se reporter à la section 2-3.)

- 1) Assemblez la conduite de réfrigérant et le tuyau de vidange, appliquez ensuite fermement le ruban adhésif de tuyauterie (G) à partir de l'extrémité.
- 2) Insérez la conduite et le tuyau de vidange dans le manchon d'ouverture murale (C) et fixez la partie supérieure de l'unité interne sur le gabarit d'installation (1).
- 3) Vérifiez si l'unité interne est correctement fixée sur le gabarit d'installation (1) en le déplaçant d'un côté à l'autre.
- 4) Repoussez fermement la partie inférieure de l'unité interne sur le gabarit d'installation (1).

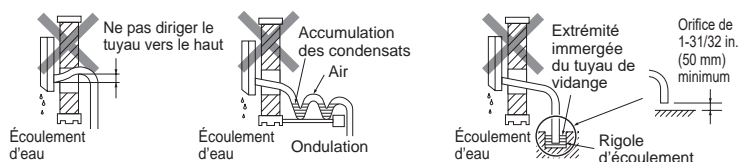
### 2-4-2. TUYAU DE VIDANGE

- Ne coupez pas le tuyau de vidange de l'appareil. (Fig. 1)
- Si la rallonge du tuyau de vidange doit traverser la pièce, veillez à l'envelopper d'un morceau de matériau d'isolation (fourni sur chantier).
- Le tuyau de vidange doit être dirigé vers le bas pour faciliter l'écoulement. (Fig. 2)
- Si le tuyau de vidange fourni avec l'unité interne est trop court, branchez-le au tuyau de vidange fourni sur chantier (I). (Fig. 3)
- Lors du raccordement du tuyau de vidange à une enveloppe de chlorure de polyvinyle dure, veillez à l'insérer correctement dans l'enveloppe. (Fig. 4)
- Veillez à ce qu'aucune contrainte ne soit exercée sur le raccord du tuyau de vidange après l'installation de l'unité interne. Cela pourrait provoquer une rupture ou une fuite d'eau.
- Veillez à utiliser le tuyau de vidange attaché à l'unité interne. Dans le cas contraire, il pourrait se produire une rupture ou une fuite d'eau provoquée par une réaction chimique.
- N'appliquez aucun agent sur l'orifice de vidange. Cela pourrait provoquer une rupture.

Ne placez pas le tuyau de vidange directement dans une rigole d'écoulement où de l'ammoniac ou du gaz sulfureux peuvent être générés. Le gaz corrosif évaporé peut retourner à l'intérieur par le tuyau de vidange, ce qui peut provoquer une odeur désagréable et une corrosion de l'échangeur thermique.



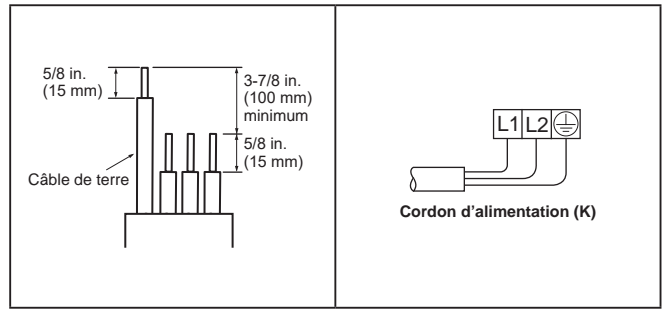
Les exemples d'installation du tuyau de vidange illustrés ci-dessous sont à éviter.



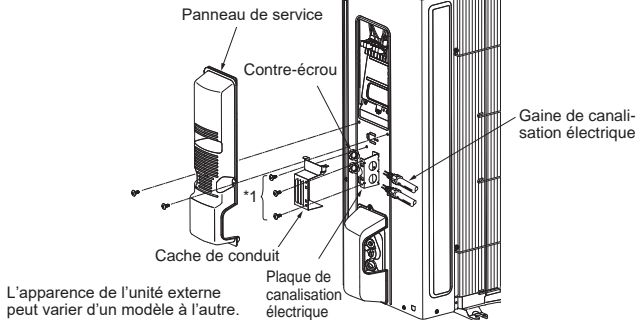
### 3. INSTALLATION DE L'UNITE EXTERNE

#### 3-1. RACCORDEMENT DES CABLES DE L'UNITE EXTERNE

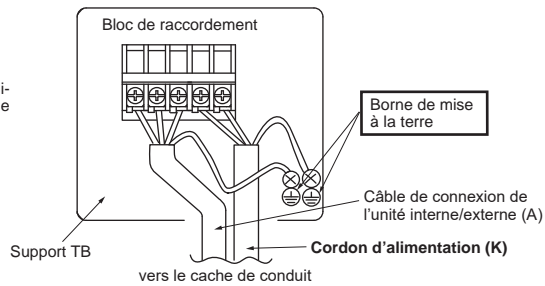
- 1) Retirez le panneau de service.
- 2) Déposez le cache de conduit.
- 3) Attachez les connecteurs de conduit sur la plaque à l'aide de contre-écrous, puis fixez la plaque sur l'unité avec des vis.
- 4) Raccordez les câbles de terre du câble de connexion de l'unité interne/externe (A) et du cordon d'alimentation (K) au support TB.
- 5) Desserrez les vis de fixation, puis branchez correctement le câble de connexion de l'unité interne/externe (A) et le cordon d'alimentation (K) depuis l'unité interne au bloc de raccordement. Fixez fermement les câbles au bloc de raccordement de façon à ne pas faire apparaître les noyaux et à ce qu'aucune force extérieure ne soit appliquée au niveau de la section de branchement du bloc de raccordement.
- 6) Serrez fermement les vis de fixation. Après l'opération de serrage, vérifiez que les câbles sont bien fixés.
- 7) Installez le cache de conduit.
- 8) Reposez correctement le panneau de service.



\*1 Il est possible que ces vis soient différentes des autres vis, ne les mélangez donc pas avec les autres vis.



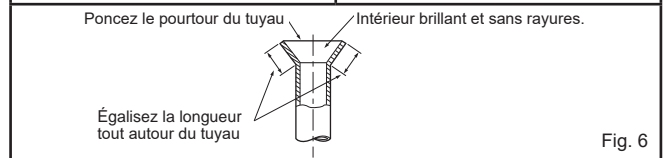
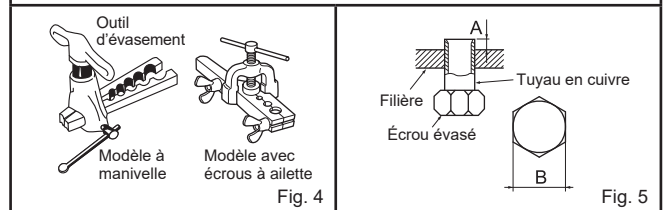
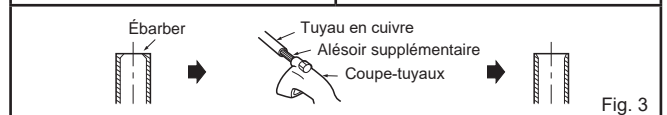
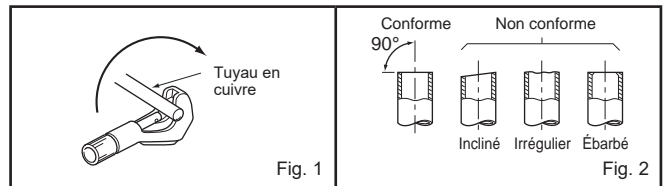
- Veillez à ce que le câble de masse soit plus long que les autres câbles comme sur l'illustration.
- Laissez du jeu dans les câbles de connexion en vue d'entretiens ultérieurs.



#### 3-2. RACCORD EVASE

- 1) Coupez correctement le tuyau de cuivre avec un coupe-tuyaux. (Fig. 1, 2)
- 2) Ébarbez parfaitement la partie tronçonnée du tuyau en évitant d'introduire des éclats de métal dans la tuyauterie. (Fig. 3)
- 3) Retirez les écrous évasés fixés sur les unités interne et externe, puis posez-les sur le tuyau.
- 4) Travaux d'évasement (Fig. 4, 5). Tenez fermement le tuyau de cuivre à la dimension indiquée dans le tableau. Sélectionnez A en in. (mm) dans le tableau suivant l'outil que vous utilisez.
- 5) Contrôle
  - Comparez les travaux d'évasement à la Fig. 6.
  - Si l'évasement n'est pas conforme, coupez la section et recommencez la procédure.

Diamètre du tuyau en in. (mm)	B en in. (mm)	A en in. (mm)			Couple de serrage	
		Outil à manivelle pour le modèle R410A/R454B	Outil à manivelle pour le modèle R22	Ecrou à oreilles pour le modèle R22	ft-lb (kgf·cm)	N·m
ø 1/4 (6,35)	21/32 (17)	0 - 0,02 (0 - 0,5)	0,04 - 0,06 (1,0 - 1,5)	0,06 - 0,08 (1,5 - 2,0)	10 - 13 (140 - 180)	13,7 - 17,7
ø 3/8 (9,52)	7/8 (22)			25 - 30 (350 - 420)	34,3 - 41,2	
ø 1/2 (12,7)	1-1/32 (26)	0,08 - 0,10 (2,0 - 2,5)	0,08 - 0,10 (2,0 - 2,5)	36 - 42 (500 - 575)	49,0 - 56,4	
ø 5/8 (15,88)	1-5/32 (29)			54 - 58 (750 - 800)	73,5 - 78,4	





### 3-3. RACCORDEMENT DES TUYAUX

- Serrez l'écrou évasé avec une clé dynamométrique comme spécifié dans le tableau ci-dessus.
- S'il est trop serré, il risque de se rompre et de provoquer une fuite de réfrigérant.
- Assurez-vous que la tuyauterie est enveloppée d'isolant. Un contact direct avec la tuyauterie nue peut entraîner des brûlures ou des engelures.

#### Raccordement de l'unité interne

Raccordez les deux tuyaux de liquide et de gaz à l'unité interne.

- N'appliquez pas d'huile réfrigérante sur les filetages. Un couple de serrage excessif endommagera la vis.
- Pour effectuer le raccordement, alignez d'abord le centre, puis serrez à la main l'écrou à évasement de 3 à 4 tours.
- Respectez les couples de serrage indiqués dans le tableau (3-2.) ci-dessous pour raccorder la tuyauterie de l'unité interne et serrez avec deux clés. Un serrage excessif risque d'endommager la partie évasée.

#### Raccordement de l'unité externe

Raccordez les tuyaux au raccord de tuyau du robinet d'arrêt de l'unité externe de la même façon que pour l'unité interne.

- Pour le serrage, utilisez une clé dynamométrique ou plate.

#### ⚠ AVERTISSEMENT

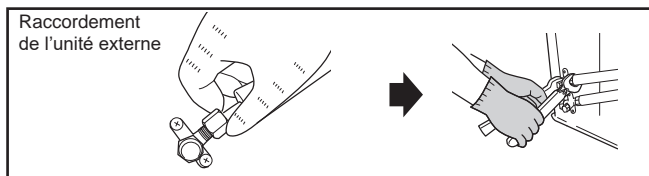
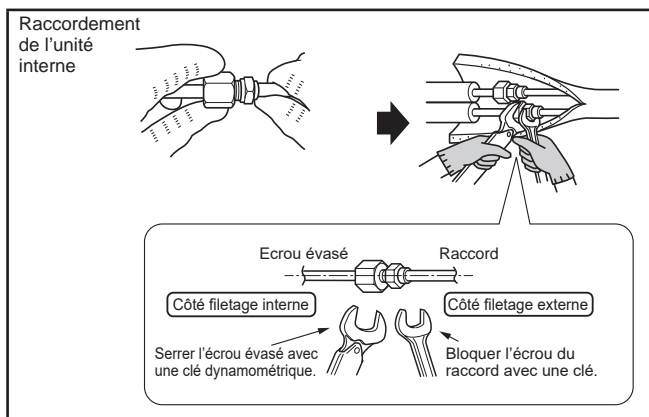
Pendant l'installation de l'appareil, branchez correctement les tuyaux de réfrigérant avant de lancer le compresseur.

### 3-4. METHODE DE TEST DE LA PRESSION D'AZOTE DU TUYAU DE REFRIGERANT

- 1) Connectez les outils de test.
  - Assurez-vous que les robinets d'arrêt sont fermés et ne les ouvrez pas.
  - Ajoutez de la pression dans les tuyauteries de réfrigérant par l'ouverture de service du robinet d'arrêt pour le GAZ.
- 2) N'ajoutez pas la pression spécifiée d'un seul coup, procédez progressivement pour atteindre la pression indiquée.
  1. Pressurisez jusqu'à 0,5 MPa (73 psig, 5 kgf/cm2G), attendez 5 minutes et vérifiez que la pression ne diminue pas.
  2. Pressurisez jusqu'à 1,5 MPa (218 psig, 15 kgf/cm2G), attendez 5 minutes et vérifiez que la pression ne diminue pas.
  3. Pressurisez jusqu'à 4,15 MPa (601 psig, 41,5 kgf/cm2G) et mesurez la température environnante et la pression du réfrigérant.
- 3) Si la pression spécifiée se maintient pendant 24 heures et ne diminue pas, les tuyaux ont réussi le test et il n'y a pas de fuite.
  - Si la température environnante change de 1 °F (0,5 °C), la pression changera d'environ 1 psig (0,007 MPa). Procédez aux corrections nécessaires.
- 4) Si la pression diminue à l'étape 2) ou 3), il y a une fuite de gaz. Localisez la source de la fuite de gaz.

### 3-5. ISOLATION THERMIQUE ET RUBANAGE

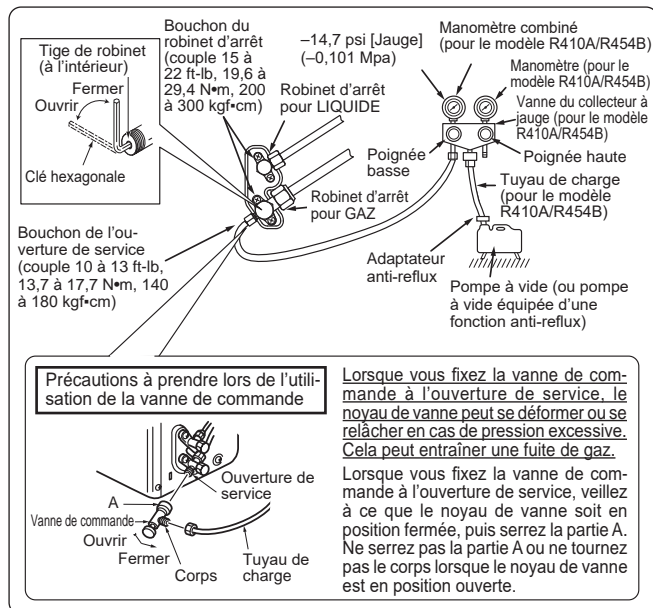
- 1) Recouvrez les raccords de tuyauterie d'une bande isolante pour tuyaux.
- 2) Du côté de l'unité externe, isolez chaque tuyau, vannes incluses.
- 3) Appliquez du ruban adhésif de tuyauterie (G) en commençant par l'entrée de l'unité externe.
  - Si la tuyauterie doit passer par le plafond, un placard ou dans un endroit où la température et l'humidité sont élevées, ajoutez une couche supplémentaire de bande isolante fournie sur chantier pour éviter la formation de condensation.



## 4. PROCEDURES DE PURGE, TEST DE CONTROLE DES FUITES ET ESSAI DE FONCTIONNEMENT

### 4-1. PROCEDURES DE PURGE ET TEST DE CONTROLE DES FUITES

- 1) Retirez les bouchons des ouvertures de service des robinets d'arrêt des deux côtés des tuyaux de réfrigérant. (Les robinets d'arrêt sont entièrement fermés à la livraison.) Laissez-les fermés.
- 2) Raccordez le collecteur à jauge aux ouvertures des robinets d'arrêt.

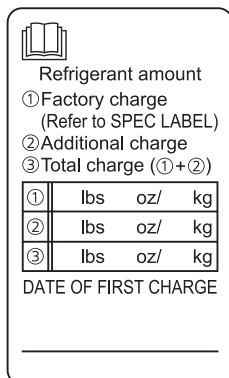


- 3) Purgez le système à 4000 microns via les deux vannes de service. Les jauges du collecteur système ne peuvent pas être utilisées pour mesurer la dépression. Une jauge micrométrique doit toujours être utilisée. Cassez la dépression en introduisant de l'azote (N<sub>2</sub>) dans la soupape de refolement de service à 0 PSIG.
- 4) Purgez le système à 1500 microns. Cassez la dépression en introduisant de l'azote (N<sub>2</sub>) dans la soupape de refolement de service à 0 PSIG.
- 5) Purgez le système à 500 microns.
- 6) Fermez les vannes du collecteur à jauge, arrêtez la pompe et effectuez un test d'augmentation de 30 minutes.
- 7) Le système doit conserver la dépression à 500 microns pendant 1 heure au minimum.

#### ⚠️ AVERTISSEMENT

**Pour éviter tout risque d'incendie, assurez-vous qu'aucune substance inflammable n'est présente ou qu'il n'existe aucun risque d'inflammation avant d'ouvrir les robinets d'arrêt.**

- 8) Ouvrez complètement la tige de robinet de tous les robinets d'arrêt aux deux extrémités des conduits de liquide et de gaz à l'aide de la clé hexagonale. Si la tige du robinet touche la butée, ne la tournez pas plus loin. La mise en service sans ouvrir complètement les robinets d'arrêt diminue le rendement et peut être source de panne.
- 9) Reportez-vous à la section 1-3 et chargez la quantité de réfrigérant supplémentaire prescrite, puis notez la quantité de réfrigérant sur l'étiquette "Quantité de réfrigérant" (Fig. 1) si nécessaire. Veillez à charger lentement le liquide réfrigérant. Sinon, la composition de réfrigérant dans le système peut changer et affecter les performances du climatiseur.
- 10) Déposez les collecteurs à jauge, remplacez et serrez les bouchons des ouvertures de service.
- 11) Test de contrôle des fuites



#### Remarque :

Remplissez la date d'installation sous DATE OF FIRST CHARGE (Date de la première charge) sur l'étiquette. Les étiquettes sont situées sur les deux unités, interne et externe.

Fig. 1

#### Remarque :

#### Détection de réfrigérants inflammables

Il est interdit d'utiliser des sources d'inflammation potentielles pour rechercher ou détecter des fuites de réfrigérant. N'utilisez pas de lampe halogène (ou tout autre détecteur utilisant une flamme nue).

Les méthodes de détection de fuite suivantes sont jugées acceptables pour tous les systèmes de réfrigérant.

Des détecteurs de fuite électroniques peuvent être utilisés pour détecter les fuites de réfrigérant, mais, dans le cas des réfrigérants inflammables, il est possible que la sensibilité ne soit pas adéquate ou nécessite un nouvel étalonnage. (L'équipement de détection doit être étalonné dans une zone exempte de réfrigérant.)

Assurez-vous que le détecteur n'est pas une source potentielle d'inflammation et qu'il est adapté au réfrigérant utilisé. L'équipement de détection de fuite doit être réglé à un pourcentage de la limite inférieure d'inflammabilité (LII) du réfrigérant et doit être étalonné en fonction du réfrigérant utilisé, et le pourcentage approprié de gaz (maximum de 25 %) doit être vérifié.

L'utilisation de liquides de détection de fuite est également adéquate avec la plupart des réfrigérants, mais l'utilisation de détergents contenant du chlore doit être évitée car le chlore peut réagir avec le réfrigérant et corroder les tuyaux en cuivre.

Si une fuite est suspectée, toutes les flammes nues doivent être supprimées/éteintes.

En cas de fuite de réfrigérant nécessitant un brasage, tout le réfrigérant du système doit être récupéré ou isolé (au moyen de vannes d'arrêt) dans une partie du système éloignée de la fuite.

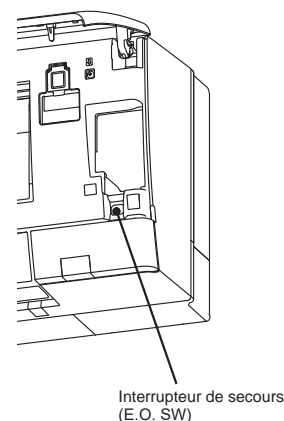
#### Procédures de charge

En plus des procédures de charge classiques, les exigences suivantes doivent être respectées.

- Veillez à éviter toute contamination par des réfrigérants différents lors de l'utilisation de l'équipement de charge. Les flexibles ou les conduites doivent être aussi court(e)s que possible pour minimiser la quantité de réfrigérant qu'ils contiennent.
  - Les bouteilles doivent être maintenues dans la position appropriée, conformément aux instructions.
  - Vérifiez que le système de réfrigération est raccordé à la terre avant de le charger avec du réfrigérant.
  - Étiquetez le système une fois la charge terminée (si ce n'est déjà fait).
  - Veillez particulièrement à ne pas trop remplir le système de réfrigération.
- Avant de recharger le système, celui-ci doit être testé sous pression avec le gaz de purge approprié. L'étanchéité du système doit être vérifiée à la fin de la charge, mais avant la mise en service. Un test de suivi de fuite doit être effectué avant de quitter le site.

### 4-2. ESSAI DE FONCTIONNEMENT

- 1) Insérez la fiche d'alimentation dans la prise secteur et/ou enclenchez le disjoncteur.
- 2) Appuyez sur le bouton E.O. SW pour démarrer un essai de fonctionnement de 30 minutes. (Pour le modèle de pompe à chaleur, appuyez une fois sur le bouton pour lancer le mode de REFROIDISSEMENT (COOL) et deux fois pour lancer le mode de CHAUFFAGE (HEAT).) Si le témoin de fonctionnement supérieur clignote toutes les 0,5 secondes, vérifiez le câble de connexion des unités in-terme/externe (A). Le mode de REFROIDISSEMENT (COOL) d'urgence (75°F [24°C]) prendra le relais à la fin de l'essai de fonctionnement.
- 3) Pour arrêter le fonctionnement, appuyez plusieurs fois sur l'interrupteur de secours (E.O. SW) jusqu'à ce que les témoins LED s'éteignent. Consultez les instructions d'utilisation pour plus d'informations.



Contrôle de la réception des signaux (infrarouges) de la télécommande Appuyez sur la touche ARRÊT/MARCHE de la télécommande et vérifiez l'audibilité du signal de l'unité interne. Appuyez de nouveau sur la touche ARRÊT/MARCHE de la télécommande pour éteindre le climatiseur.

- A l'arrêt du compresseur, le dispositif de prévention du redémarrage se met en marche pour éviter le redémarrage du compresseur pendant 3 minutes et protéger le climatiseur.

### 4-3. FONCTION DE REDEMARRAGE AUTOMATIQUE

Ce produit est équipé d'une fonction de redémarrage automatique. Lorsque l'alimentation se coupe pendant le fonctionnement (pannes d'électricité), la fonction remet automatiquement l'unité en marche sur le réglage précédent dès que l'alimentation est rétablie. (Consultez les instructions d'utilisation pour plus d'informations.)

#### Attention :

- Après l'essai de fonctionnement ou le contrôle de la réception de signaux de la télécommande, éteignez l'unité à l'aide de l'interrupteur de secours (E.O. SW) ou la télécommande avant de couper l'alimentation. Si cette procédure n'est pas effectuée, l'unité se remet automatiquement en marche lorsque l'alimentation est rétablie.

#### A l'attention de l'utilisateur

- Après l'installation de l'unité, expliquez à l'utilisateur la fonction de redémarrage automatique.
- Si la fonction de redémarrage automatique n'est pas nécessaire, elle peut être désactivée. Adressez-vous au responsable de l'entretien pour désactiver cette fonction. Consultez le manuel d'entretien pour plus d'informations.

### 4-4. EXPLICATIONS DESTINEES A L'UTILISATEUR

- A l'aide des INSTRUCTIONS DE FONCTIONNEMENT, expliquez à l'utilisateur l'emploi du climatiseur (utilisation de la télécommande, remplacement des filtres à air, retrait ou placement de la télécommande sur son support, nettoyage, précautions, etc.)
- Recommandez à l'utilisateur de lire attentivement les INSTRUCTIONS DE FONCTIONNEMENT.

## 5. CONFIGURATION DE LA CONNEXION AU MODULE LAN SANS FIL

#### ⚠ ATTENTION

##### Unités internes compatibles Wi-Fi® :

- requièrent un réseau Wi-Fi® avec une connexion active à Internet pour être configurées.
  - sont conçues pour se connecter à des réseaux Wi-Fi® de 2,4 GHz.
  - ne fonctionnent pas avec des réseaux Wi-Fi® de 5 GHz ou 6 GHz.
- Certains routeurs Wi-Fi® multi-bande ne gèrent pas correctement les dispositifs qui fonctionnent exclusivement avec 2,4 GHz. Pour de meilleurs résultats, utilisez un SSID différent pour la bande de 2,4 GHz. Veillez à ce que l'installation ne dépasse pas la limite pour dispositif connecté du routeur Wi-Fi®.

Vérifiez que chaque emplacement d'unité interne bénéficie d'une bonne intensité de signal Wi-Fi®. (-60 dBm ou meilleure). Pour améliorer la fiabilité aux emplacements où le signal Wi-Fi® est faible, appliquez un système Wi-Fi® maillé.

Démarrage : Reportez-vous au manuel du technicien pour l'installateur de kumo cloud®.

[https://docs.kumocloud.com/technician\\_manual.pdf](https://docs.kumocloud.com/technician_manual.pdf)



#### Remarque :

- Si nécessaire, utilisez la télécommande pour repasser du mode réseau sans fil au mode de configuration Bluetooth LE. Pour changer le mode de connexion, envoyez "3" avec la télécommande. Reportez-vous à la NOTICE D'UTILISATION.
- Reportez-vous à la section 6-1. DÉPOSE ET INSTALLATION DU PANNEAU pour accéder au module LAN sans fil.
- Consultez le site <https://kumocloud.com> pour plus d'informations sur la manière de contrôler le module LAN sans fil depuis votre navigateur Web ou votre smartphone.

## 6. DEPLACEMENT ET ENTRETIEN

### Elimination et évacuation

Lors de l'accès dans le circuit de réfrigérant pour effectuer des réparations, ou à toute autre fin, les procédures conventionnelles doivent être utilisées. Toutefois, pour les réfrigérants inflammables, il est important de suivre les meilleures pratiques, car l'inflammabilité est un facteur à prendre en compte. La procédure suivante doit être respectée :

- éliminez le réfrigérant
- purgez le circuit avec du gaz inerte
- évacuez
- purgez à nouveau avec du gaz inerte
- ouvrez le circuit par coupe ou brasage.

La charge de réfrigérant doit être récupérée dans les bouteilles de récupération appropriées. Pour les unités contenant des réfrigérants inflammables, le système doit être "rincé" avec de l'azote exempt d'oxygène pour assurer la sécurité de l'unité. Il peut être nécessaire de répéter ce processus plusieurs fois. Il est interdit d'utiliser de l'air comprimé ou de l'oxygène pour purger les systèmes de réfrigérant.

### Récupération

Lorsqu'un système est vidé de son réfrigérant, soit pour l'entretien, soit pour sa mise hors service, la bonne pratique recommandée est de veiller à ce que tous les réfrigérants soient vidangés en toute sécurité. Lors du transfert du réfrigérant dans les bouteilles, veillez à utiliser uniquement des bouteilles de récupération de réfrigérant appropriées. Assurez-vous de disposer du nombre correct de bouteilles pour contenir la charge totale du système. Toutes les bouteilles à utiliser sont désignées pour le réfrigérant récupéré et étiquetées pour ce réfrigérant (c'est-à-dire des bouteilles spéciales pour la récupération du réfrigérant). Les bouteilles doivent être équipées d'une soupape de sûreté et d'une vanne d'arrêt associée en bon état de fonctionnement. Les bouteilles de récupération vides sont évacuées et, si possible, refroidies avant l'opération de récupération. L'équipement de récupération doit être en bon état de marche, avec l'ensemble des instructions concernant l'équipement à portée de main, et il doit être adapté à la récupération de tous les réfrigérants appropriés, y compris, le cas échéant, les réfrigérants inflammables. En outre, un ensemble de balances étalonnées doit être disponible et en bon état de marche. Les flexibles doivent être complets avec des raccords de déconnexion étanches et en bon état. Avant d'utiliser la machine de récupération, vérifiez qu'elle est en bon état de fonctionnement, qu'elle a été correctement entretenue et que tous les composants électriques associés sont hermétiques afin d'empêcher l'inflammation en cas de décharge de réfrigérant. En cas de doute, consultez le fabricant. Le réfrigérant récupéré doit être renvoyé au fournisseur de réfrigérant dans la bouteille de récupération appropriée, et la note de transfert des déchets correspondante doit être préparée. Ne mélangez pas les réfrigérants dans les unités de récupération et surtout pas dans les bouteilles. Si les compresseurs ou les huiles de compresseur doivent être éliminés, veillez à ce qu'ils soient évacués à un niveau acceptable pour garantir qu'il ne reste pas de réfrigérant inflammable dans le lubrifiant. Le processus d'évacuation doit être effectué avant de renvoyer le compresseur au fournisseur. Seul un procédé de chauffage électrique du corps du compresseur doit être employé pour accélérer ce processus. Lorsque l'huile est vidangée d'un système, l'opération doit être réalisée en toute sécurité.

## 6-1. DEPOSE ET INSTALLATION DU PANNEAU

### Dépose (Fig. 1)

- 1) Orientez l'ailette horizontale vers le bas.
- 2) Retirez l'ailette horizontale.
- 3) Retirez le panneau frontal.
- 4) Déposez le filtre.
- 5) Retirez les 6 vis qui fixent l'ensemble du panneau.
- 6) Le panneau complet se compose de 2 éléments. Retirez-les dans l'ordre suivant : panneau et panneau supérieur. Pour retirer le panneau, détachez les côtés droit et gauche.  
Pour retirer le panneau supérieur, détachez les côtés droit et gauche.
- 7) Maintenez la partie inférieure des deux extrémités du panneau et tirez-la légèrement vers vous, puis déposez le panneau.

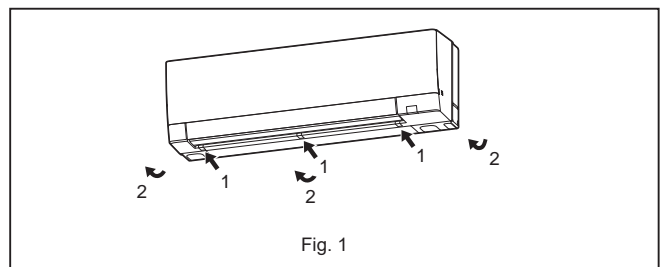


Fig. 1

### Pose (Fig. 2)

- 1) Remontez le panneau en suivant la procédure de dépose en sens inverse.
- 2) Veillez à appuyer sur les repères indiqués par les flèches pour fixer solidement le panneau sur l'unité.

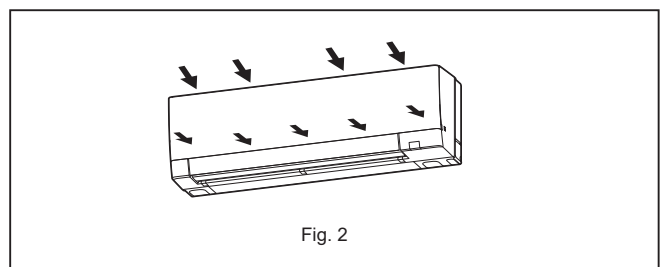
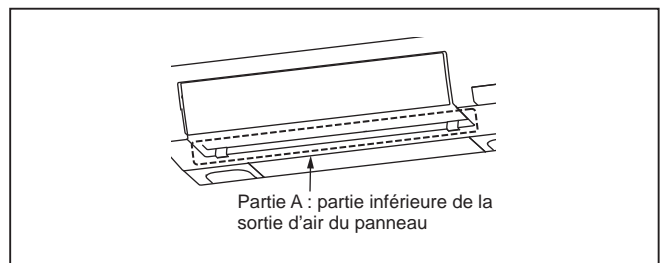


Fig. 2

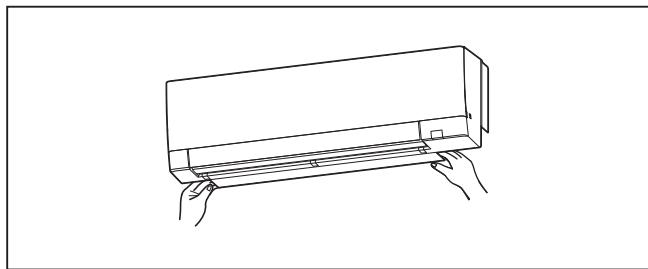
\* Ne tenez pas la partie A lors de la pose/dépose ou du transport du panneau, car cela pourrait endommager ce dernier.



Partie A : partie inférieure de la sortie d'air du panneau

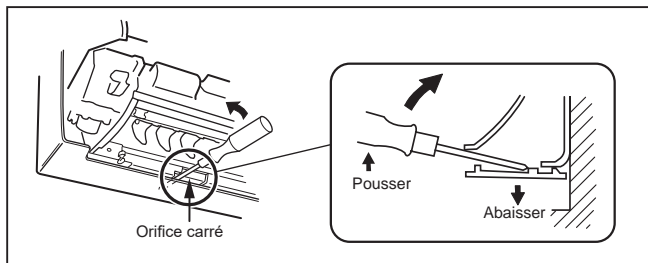
## 6-2. DEPOSE DE L'UNITE INTERNE

Retirez la partie inférieure de l'unité interne du gabarit d'installation.  
Lors de la libération de la partie en coin, libérez les parties inférieures gauche et droite de la partie en coin de l'unité interne et tirez-les vers le bas et vers l'avant comme indiqué sur l'illustration de droite.



**Si la méthode mentionnée ci-dessus ne peut pas être utilisée**

Retirez le panneau. Puis, insérez des clés hexagonales dans les orifices carrés à gauche et à droite de l'unité et poussez-les vers le haut comme indiqué sur l'illustration suivante. La base de l'unité interne s'abaisse et les crochets de dégagent.



## 6-3. PURGE

Lors du déplacement ou de la mise au rebut du climatiseur, il est nécessaire de purger le système en suivant la procédure ci-dessous de façon à ne pas libérer de réfrigérant dans l'atmosphère.

- 1) Raccordez la vanne du collecteur à jauge à l'ouverture de service du robinet d'arrêt du côté du tuyau de gaz de l'unité externe.
- 2) Fermez complètement le robinet d'arrêt du côté du tuyau de liquide de l'unité externe.
- 3) Fermez presque complètement le robinet d'arrêt du côté du tuyau de gaz de l'unité externe pour faciliter sa fermeture totale lorsque le manomètre indique 0 psi [Jauge] (0 Mpa).
- 4) Lancez le mode de REFROIDISSEMENT (COOL) d'urgence.  
Pour lancer le mode de REFROIDISSEMENT (COOL) d'urgence, débranchez la fiche d'alimentation électrique et/ou coupez le disjoncteur. Au bout de 15 secondes, rebranchez la fiche d'alimentation électrique et/ou enclenchez le disjoncteur, puis appuyez une fois sur l'interrupteur de secours (E.O. SW). (Le mode de REFROIDISSEMENT (COOL) d'urgence peut être exécuté en continu pendant 30 minutes maximum.)
- 5) Fermez complètement le robinet d'arrêt du côté du tuyau de gaz de l'unité externe lorsque le manomètre indique (0,1 à 0 psi [Jauge] 0,05 à 0 Mpa).
- 6) Arrêtez le mode de REFROIDISSEMENT (COOL) d'urgence.  
Pour arrêter le fonctionnement, appuyez plusieurs fois sur l'interrupteur de secours (E.O. SW) jusqu'à ce que les témoins LED s'éteignent. Consultez les instructions d'utilisation pour plus d'informations.

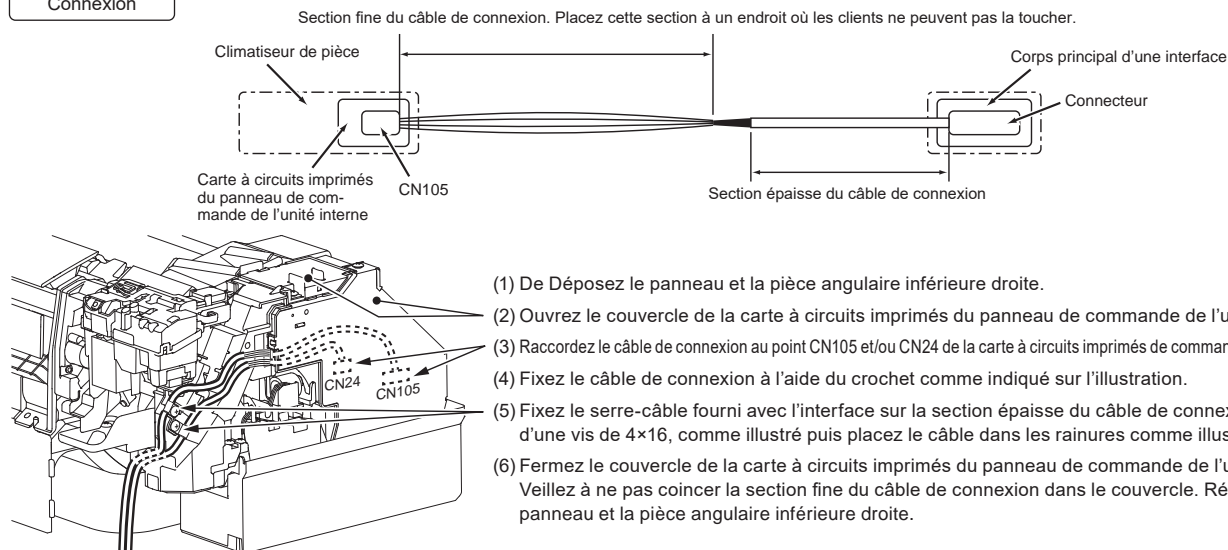
### ⚠ AVERTISSEMENT

**Lorsque le circuit de réfrigération présente une fuite, ne pas effectuer la purge à l'aide du compresseur. Pendant l'opération d'aspiration du réfrigérant, arrêtez le compresseur avant de débrancher les tuyaux de réfrigérant. Le compresseur peut éclater si de l'air, etc. pénètre à l'intérieur.**

## 7. CONNEXION DU CÂBLE D'INTERFACE/DE CONNECTEUR AU CLIMATISEUR

- À l'aide du câble de connexion, connectez le CÂBLE D'INTERFACE/DE CONNECTEUR à la carte à circuits imprimés de commande électronique de l'unité interne du climatiseur.
- Une coupure ou une extension du câble de connexion du CÂBLE D'INTERFACE/DE CONNECTEUR provoquera des défauts de connexion.  
Ne groupez pas le câble de connexion avec le cordon d'alimentation électrique, le câble de connexion de l'unité interne/externe, et/ou le câble de mise à la terre. Éloignez autant que possible le câble de connexion de ces câbles.
- La section fine du câble de connexion doit être stockée et placée à un endroit où les clients ne peuvent pas la toucher.

### Connexion



- (1) Déposez le panneau et la pièce angulaire inférieure droite.
- (2) Ouvrez le couvercle de la carte à circuits imprimés du panneau de commande de l'unité interne.
- (3) Raccordez le câble de connexion au point CN105 et/ou CN24 de la carte à circuits imprimés de commande de l'unité interne.
- (4) Fixez le câble de connexion à l'aide du crochet comme indiqué sur l'illustration.
- (5) Fixez le serre-câble fourni avec l'interface sur la section épaisse du câble de connexion à l'aide d'une vis de 4×16, comme illustré puis placez le câble dans les rainures comme illustré.
- (6) Fermez le couvercle de la carte à circuits imprimés du panneau de commande de l'unité interne. Veillez à ne pas coincer la section fine du câble de connexion dans le couvercle. Réinstallez le panneau et la pièce angulaire inférieure droite.

### ⚠ AVERTISSEMENT

**Fixez correctement le câble de connexion à l'emplacement indiqué. Une installation incorrecte risque d'être à l'origine d'un choc électrique, d'un incendie et/ou d'un dysfonctionnement.**

## 8. INSTALLATION ET REMPLACEMENT DU CAPTEUR DE REFRIGERANT

- Pour les systèmes avec boîtier de dérivation, le capteur de réfrigérant doit être installé dans l'unité interne avant d'activer le disjoncteur.  
Le capteur de réfrigérant se trouve à l'intérieur du paquet du boîtier de dérivation ou peut être commandé séparément. Référence **MAC-100RS-E**.
- Quand le capteur de réfrigérant est monté dans l'unité interne, le système peut s'arrêter de fonctionner si une fuite de réfrigérant est détectée.
- Si le capteur de réfrigérant est défectueux, remplacez le capteur de réfrigérant.
- Le capteur de réfrigérant ne doit être remplacé que par un capteur approuvé par le fabricant.
- Si une erreur du capteur de réfrigérant se produit même si le capteur est installé, veuillez vérifier la connexion du câble du côté du capteur et du côté de la carte mère.

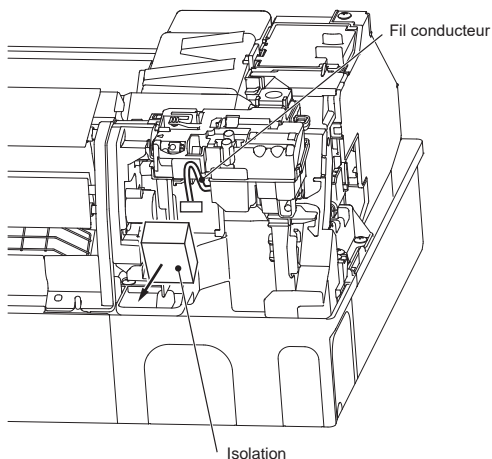


Fig. 1

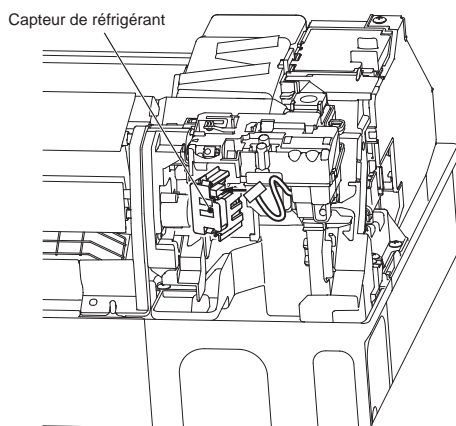


Fig. 2

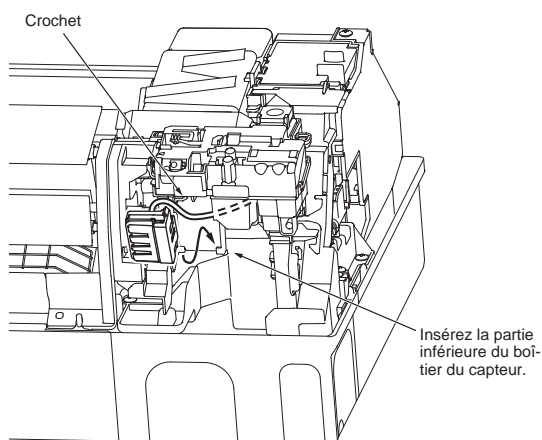


Fig. 3

- 1) Déposez le panneau.
- 2) Déposez l'isolation et sortez le fil conducteur situé sous l'isolation. (Fig. 1)
- 3) Raccordez le fil conducteur au capteur de réfrigérant. (Fig. 2)
- 4) Insérez le capteur de réfrigérant dans le sens de la flèche et fixez-le au crochet. (Fig. 3)



# **mitsubishi electric corporation**

HEAD OFFICE: TOKYO BUILDING, 2-7-3, MARUNOUCHI, CHIYODA-KU, TOKYO 100-8310, JAPAN

JG79N716H03