

SP102Nx

Instructions for use

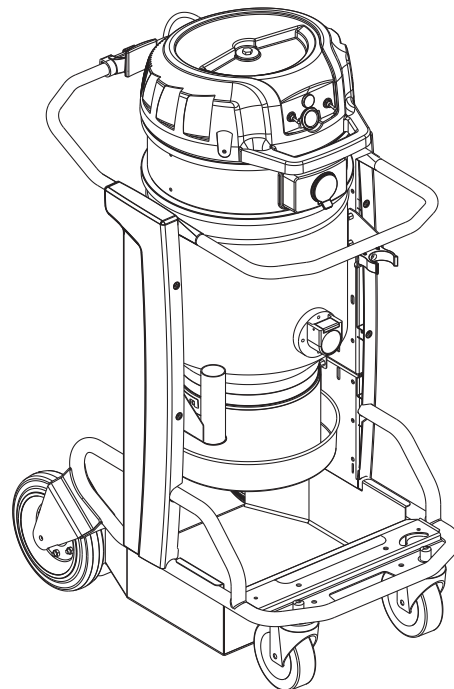
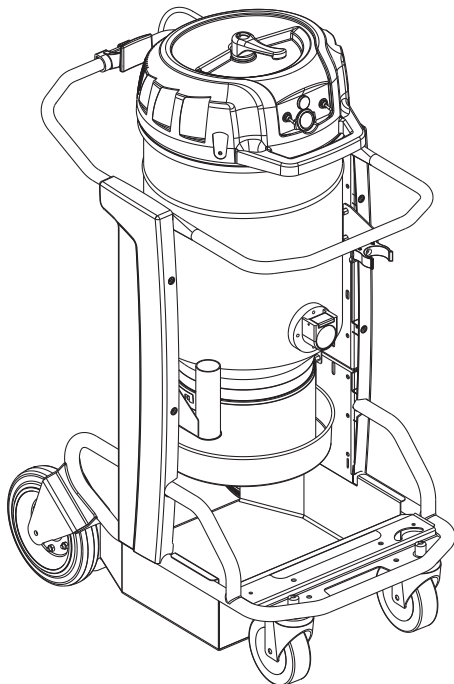
INSTRUCTIONS MANUAL
MANUEL D'INSTRUCTIONS
MANUAL DE INSTRUCCIONES



UMC511
EDITION 06/2024



US American
FR Canadian
ES Mexican



NILFISK

Table of contents

Instructions for use	2
Operator's safety	2
General information for using the machine	2
Proper uses	2
Improper Use.....	2
Testing and guarantee.....	3
How to request assistance	3
Exclusion of liability	3
Versions and variations	3
General recommendations	3
Residual Risks.....	4
Description of the machine	5
Machine Parts and Labels.....	5
Optional kits.....	5
Accessories	5
Packing and unpacking	5
Unpacking, moving, use and storage	5
Lifting kit (Optional)	6
Setting to work - connection to the power supply.....	6
Extensions.....	6
Grounding instructions	7
Dry applications.....	7
Technical data	8
Dimensions.....	8
Controls and indicators.....	9
Inspections prior to starting	9
Starting and stopping	9
Emergency stopping.....	9
Operation.....	9
Maintenance, cleaning and decontamination	10
Filter cleaning	10
Dust bag cleaning.....	11
Dust bag replacement	11
Primary and absolute filter replacement.....	11
Tightness inspection.....	13
Wiring diagrams	13
Recommended spare parts	14
Troubleshooting	15
Warranty	16

Instructions for use

Read the operating instructions and comply with the important safety recommendations identified by the word **CAUTION!**

Operator's safety



Before starting the machine, it is absolutely essential to read these operating instructions and to keep them handy for consultation.

The machine can only be used by people who are familiar with the way it works and who have been explicitly authorised and trained for the purpose.

Before using the machine, the operators must be informed, instructed and trained on how to work it and for which substances its usage is permitted including the safe method for removing and disposing of the vacuumed material.



The use of the machine by people (including children) with limited physical and mental capacities or lacking in experience and knowledge is strictly forbidden, unless they are supervised by a person who is experienced in the use and safe handling of the machine.

Children must be supervised to make sure they will not play with the machine.



Before using the machine, always check that any hazardous condition has been eliminated and inform the people in charge about any operational fault.

Check that all guards and protections are correctly mounted and that all safety devices are installed and efficient.

Repairs must only be carried out when the machine is at a standstill and disconnected from the electricity and air supply mains. Never ever carry out repairs without having first received the necessary authorization.



Any changes made by the user without the Manufacturer's explicit authorization shall invalidate the warranty and hold the Manufacturer harmless from any and all liabilities for damages caused by faulty products.

General information for using the machine

Use the machine in accordance with the laws in force in the country where it is used.

Besides the operating instructions and the laws in force in the country where the device is used, the technical regulations for ensuring safe and correct operation must also be observed (Legislation concerning environmental and labour safety, i.e. European Union Directive 89/391/EC and successive Directives).

Do not perform any operation that could jeopardize the safety of people, property and the environment.

Comply with the safety indications and prescriptions in this instruction manual.

Proper uses

This machine is suitable for commercial use, in hotels, schools, hospitals, factories, shops, offices and apartment hotels for example, for hire and in any case for purposes other than normal domestic use.

This machine is suitable for cleaning and vacuuming solid materials in indoor and outdoor environments.

The machine has been designed to be used by one operator at a time.

This machine consists of a vacuum unit, with an upstream filter unit and a container for collecting the vacuumed material.

Improper Use



The following use of the device is strictly forbidden:

- **Outdoors in case of atmospheric precipitation.**
- **When not placed on horizontal level ground.**
- **When the filter unit is not installed.**
- **When the vacuum inlet and/or hose are turned to face parts of the human body.**
- **Use without the cover on the vacuum unit.**
- **When the dust container is not installed.**
- **Use without the guards, protective covers and safety systems installed by the manufacturer.**
- **When the cooling vents are partially or totally clogged.**
- **When the machine is covered with plastic or fabric sheets.**
- **Use with the air outlet partially or totally closed.**
- **When used in narrow areas where there is no fresh air.**

US



The following use of the device is strictly forbidden:

- **When the cable or plug is damaged. If appliance is not working as it should, has been dropped, damaged, left outdoors or dropped into water, return it to an authorized service center.**
- **Vacuating liquids with machine not equipped with specific original stopping systems.**
- **Do not pull or carry by the cord, use the power cord as a handle, do not close a door on cord, or pull cord around sharp edges or corners. Do not run the appliance over the cord. Keep cord away from heated surfaces.**
- **Vacuating the following materials:**
 1. **Burning materials (embers, hot ashes, lit cigarettes, etc.).**
 2. **Naked flames.**
 3. **Combustible gas.**
 4. **Flammable liquids, aggressive fuels (gasoline, solvents, acids, alkaline solutions, etc.).**
 5. **Explosive dust/substances and/or ones liable to ignite in a spontaneous way (such as magnesium or aluminium dusts, etc.).**

Note: Fraudulent use is not admitted.

Testing and guarantee

- **Testing**
Each machine is subjected to a final test involving its operation and performances. This guarantees maximum efficiency during the work the machine must carry out.
- **Warranty**
The guarantee clauses are specified in the sales contract.

How to request assistance

In the event of faults or malfunctions requiring the intervention of specialized technicians, contact the Manufacturer or your nearest After-Sales Service Centre.

Exclusion of liability

The machine was delivered to the user according to the conditions valid at the time of purchase.

For no reason what so ever shall the user be authorized to tamper with the machine.

Contact your nearest After-Sales Service Centre in the event of faults.

All attempts by the user or by unauthorized personnel to demount, modify or, more generally, tamper with any part of the machine shall void the guarantee and relieve the manufacturer of all responsibility for damage to either persons or property caused by such action.

The manufacturer shall also be relieved of liability in the following cases:

- Incorrect installation.
- Improper use of the machine by inadequately trained personnel.
- Utilization contrary to the provisions in force in the country of use.
- Incorrect or insufficient maintenance.
- Use of non-genuine spares or use of spares that are not specifically made for the model in question.
- Total or partial failure to comply with the instructions.
- Failure to forward the warranty certificate.
- Exceptional environmental events

Versions and variations

Versions for dusts that are harmful to health (L-M-H)

Appliances for dusts that are harmful to health are classified, in accordance with Standard UL/CSA 60335-2-69 - Anx. AA, according to different dust classes:

- **L** (low risk) suitable for separating dust with an exposure limit value of over 1 mg/m³, depending on the volume occupied; retains at least 99% of vacuumed particles;
- **M** (medium risk) suitable for separating dust with an exposure limit value not lower than 0.1 mg/m³; retains at least 99.9% of vacuumed particles;
- **H** (high risk) for separating all dust with an exposure limit value lower than 0.1 mg/m³, depending on the volume occupied, including carcinogenic and pathogenic dusts, such as asbestos; retains at least 99.995% of the vacuumed particles.

[NOTE]

- *In the case of dust harmful to health, contact the local health and safety authorities, and observe national regulations in force both during use and disposal.*
- *Radioactive substances are not included in the definition of the type of dust harmful to health described above.*

[NOTE]

Machines designed for picking up sawdust and quartz-containing mineral dust shall be at least M-class.

US

General recommendations



If an emergency situation occurs:

- **for example, accident - fault - filter breakage - fire - etc.**

Disconnect the machine from the power supply and ask for assistance from qualified personnel.

In case the user comes into contact with the vacuumed product, check the cautions shown on the safety technical sheet of the product, which must be made available from the employer.

[NOTE]

These devices must not be used in corrosive environment.

Residual Risks



After carefully considering the risks that are present in all machine operating phases, necessary measures were adopted in order to eliminate the risks for the operators, as far as possible, and/or limit or reduce the risks deriving from hazards that cannot be completely eliminated at the source.

During operations and/or maintenance, operators are exposed to certain residual risks which, due to the nature of the operations themselves, cannot be completely eliminated. Therefore the installer is responsible for providing additional information and/or hazard signals based on the location of machine installation and the material that is handled.



Risks due to electrical hazards during maintenance

 **DANGER** 

Risk of electrocution if accessing the electrical equipment during maintenance without having deactivated the electrical power supply.

 **FORBIDDEN** 

It is forbidden to work on the electric equipment before disconnecting the machine or its parts from the electrical line.

 **MANDATORY** 

Have the electrical maintenance operations performed by qualified personnel. Perform the checks on the electric equipment as specified in the manual.

Risks to the presence of residual high temperature after stopping the vacuum unit.

During maintenance and cleaning operations, the operator may come into contact while the machine is stopped, with parts of the vacuum unit with surfaces at high temperatures. Specific warning signs placed in strategic points indicate the hazard due to the presence of hot surfaces and the obligation for the user to wear personal protective equipment, in particular protective gloves.

The potentially hot parts (high temperatures) are identified as follows:

US

	IT IS MANDATORY TO WEAR GLOVES
	CAUTION DANGEROUS TEMPERATURES

Description of the machine

Machine Parts and Labels

Figure 1

1. Identification plate:
Model code, serial number, NRTL marking, year of manufacture, weight (kg)
2. Vacuumed material collection system
3. Vacuum inlet
4. Plug for closing the side container
5. Air outlet
6. Wheel locking system
7. Handle
8. Closing band lever
9. Safety bolt
10. Warning label for L - M - H Class vacuum cleaners
11. Primary Filter cleaning system
12. Plug for connecting the vacuum cleaner to an electrical socket.

This machine creates a strong air flow which is drawn in through the vacuum inlet and blows out through the outlet.

Before turning on the machine, fit the vacuum hose into the inlet and then fit the required tool on to the end part (refer to the manufacturer's accessory catalogue or Service Centre).

The diameters of the authorized hoses are indicated in the Technical data table.

The machine is equipped with a primary filter which enables it to be used for the majority of applications.

In addition to the primary filter that retains the most common dust, there is also a secondary filter (absolute filter).

This machine is equipped with an internal baffle plate which subjects the vacuumed substances to a circular centrifugal movement, making them drop into the dust bag.

Figure 2

Appliances for dusts that are harmful to health and/or for combustible dusts are classified, in accordance with Standard UL/CSA 60335-2-69 - Anx. AA, according to different dust classes:

1. Class H label

The class H label reads the following.



This vacuum cleaner contains dust hazardous for the health.
Only authorised personnel wearing suitable personal protective equipment should empty and service the machine, including removing the means used to vacuum the dust. Do not use without the complete filter system in place.

Optional kits

Various optional kits are available for converting the machine. On request, the machine can be supplied with optional kits already installed. However, they can also be installed at a later date.

Please contact the sales network for further details.

Instructions describing how to fit the optional kits and the relative operation and maintenance manuals are supplied together with the optional kits.



Use only supplied and authorised genuine spare parts.

Accessories

Various accessories are available; refer to the manufacturer's accessory catalogue.



Use only genuine accessories supplied and authorised by the manufacturer.

Packing and unpacking

All the dispatched equipment has been thoroughly checked before being delivered to the haulage contractor.

On arrival, check the machine to see that it has not been damaged during transport. In case of damage, immediately lodge a complaint with the haulage contractor.

Dispose of the packing materials in compliance with the laws in force.

Figure 3

Model	A (in)	B (in)	C (in)	lb (*)
SP102Nx	27.5	31.5	69	220

(*) Weight with packing

Unpacking, moving, use and storage

To unpack the vacuum unit, remove the retainers with a hammer and a screwdriver.

Also remove the fastening devices placed by the manufacturer when packing, by using suitable tools.

Release the wheel brakes and remove the machine from the supporting platform, by using a ramp that can provide adequate capacity, and by driving the vacuum cleaner by the handle. Operate on flat, horizontal surfaces.

The load-bearing capacity of the surface the machine is placed on must be suitable for bearing its weight.

If the device is to work in a fixed position, allow wide space around the device in order to ensure freedom of the movement and allow the maintenance staff to operate with ease.

Lifting kit (Optional)

Figure 4

If you have purchased the optional machine lifting kit, secure the supplied belts and the relative snap hook to the lifting eyelets (1) on the frame and proceed with the machine handling operations.

Make sure that there is no vacuumed material inside the vacuum cleaner and that the filter is clean as per the instructions given in the "Maintenance, cleaning and decontamination" paragraph.

! CAUTION! !

Use a suitable lifting system for the weight of the machine indicated on the relative plate.

! CAUTION! !

Lift the machine slowly a short distance off the floor in order to ensure that it is stable.

! CAUTION! !

During transfers, keep the load as low as possible to ensure greater visibility and stability, and to operate safely.

! CAUTION! !

The manufacturer shall not be liable for any damages caused to the machine during lifting, when the lifting equipment supplied by the manufacturer is not used.

Setting to work - connection to the power supply

! CAUTION! !

- *Make sure there is no evident sign of damage to the machine before starting work.*
- *Before plugging the machine into the electrical mains, make sure the voltage rating indicated on the data plate corresponds to that of the electrical mains.*
- *Connect the plug into a socket with a correctly installed ground contact/connection. Make sure that the machine is turned off.*
- *The plugs and connectors of the connection cables must be protected against splashes of water.*
- *Check that for proper connection to the electrical mains.*
- *Use the machine only when the cables that connect to the electricity mains are in perfect condition (damaged cables could lead to electric shocks!).*
- *Regularly check there are no signs of damage, excessive wear, cracks or ageing on the electric cable.*

US

! CAUTION! !

- *When the device is operating avoid stepping on, crushing, pulling or damaging the cable that connects to the electrical mains.*
- *When the device is operating avoid disconnecting the cable from the mains only by pulling the plug (do not pull on the cable itself).*
- *Only replace the electric power cable with one of the same type as the original: H07 RN-F, The same rule applies if an extension is used.*
- *The cable must be replaced by the manufacturer's Service Centre staff or by equivalent qualified personnel.*

Those responsible for plant safety must ensure that:

- Prevent any improper use or manoeuvre.
- Make sure that the safety devices are not removed or tampered with.
- Check that all maintenance operations are regularly performed;
- Make sure that no machine part (couplings, holes, etc.) is modified to attach additional devices;
- Make sure that only original Nilfisk spare parts are used.

NOTE

The user shall be responsible for ensuring that installation complies with the all relevant local provisions. The equipment must be installed by qualified technicians who have read and understood the instructions herein.

Extensions

If an extension cable is used, make sure it is suitable for the power input and protection degree of the machine.

Max power (kW)	3
Minimum section (AWG)	16
Maximum length (in)	785
Cable	SJT

! CAUTION! !

Sockets, plugs, cable clamps, connectors and installation of the extension cable must maintain the IP protection degree of the machine, as indicated on the data plate.

! CAUTION! !

The machine power socket must be protected by a differential circuit-breaker with surge current limitation, that shuts off the power supply when the current discharged to the ground exceeds 30 mA for 30 msec. or an equivalent protection circuit.

! CAUTION! !

Never spray water on the machine: this could be dangerous for people and could short circuit the power supply.

Grounding instructions

This equipment must be grounded. In case of malfunction or breakdown, grounding provides a path of least resistance for electric current to reduce the risk of electric shock. This device is fitted with a cable with earthing conductor and an earthing plug. The plug must be inserted in a suitable, properly installed and earthed power socket in compliance with all local regulations and ordinances.

⚠ CAUTION! ⚠

Improper connection of the equipment's earthing conductor may cause an electric shock hazard. In case of doubt regarding the correct earthing of the socket, contact a qualified technician or technician. Do not modify the plug supplied with the device if it does not fit in the socket; have a suitable socket installed by a qualified electrician.

Dry applications

[NOTE]

The supplied filters and the bag (if applicable) must be installed correctly.

⚠ CAUTION! ⚠

Comply with the safety regulations governing the vacuumed materials.

Technical data

Parameter	Units of measurement	SP102N1
Voltage (@60Hz)	V	120
Power rating	kW	2.00
Current	A	17.3
Max vacuum	in h2o	83
Max air flow rate (118 in Ø 2 in hose)	cfm	165
Sound pressure level (Lpf) (*)	dB(A)	74
Vibration, ah (**)	m/s ²	≤2.5
Protection	IP	44
Insulation	Class	I
Vacuum inlet (diameter)	in	2
Allowed hoses	in	1.5 / 2
Primary filter surface	Sq. ft	17
Upstream absolute filter surface	Sq. ft	17
Absolute filter efficiency	%	99,995 (H14)

(*) Measurement uncertainty KpA < 1.5 dB(A). Noise emission values obtained according to UL/CSA 60335-2-69

(**) Total value of vibration output to the operator arm and hand

Dimensions

Figure 5

Model	SP102N1
A (in)	33
B (in)	24
C (in)	51
Weight (lb)	154

[NOTE]

- *Storage conditions:*
Temperature: -10°C ÷ +40°C
Humidity: ≤ 85%
- *Operating conditions:*
Maximum altitude: 800 m
(Up to 2,000 m with reduced performances)
Temperature: -10°C ÷ +40°C
Humidity: ≤ 85%

US

Controls and indicators

Figure 6

1. **First and second motor Start/Stop button and indicator light**
Use the button to start/stop the first motor. If the indicator is lit, the main motor is ON.
2. **Vacuum gauge**
3. **Filter clogged indicator light**
4. **Manual filter cleaning system**

Inspections prior to starting

Before starting, check that:

- The filters are installed.
- The closing band is properly tightened.
- The vacuum hose and tools have been correctly fitted into the vacuum inlet.
- The dust bag is present.



Do not use the device if the filters are faulty.

Starting and stopping

Figure 6



Before starting the machine, lock the castor brakes

- Turn the button (1) to "1" position to start the first motor.
- Turn the button (1) to "1" position to start the second motor.
- Turn the button (1) to "0" position to stop the first motor.
- Turn the button (1) to "0" position to stop the second motor.

Emergency stopping

Figure 6

Press the buttons (1) so that they are in position "0". The vacuum cleaner stops.



The motors and internal components of the vacuum cleaner will still be electrically powered.

Operation

Figure 7

Vacuum gauge (2): green zone (3), red zone (1)

When using the machine, check the flow control:

- when the machine is operating, the pointer of the vacuum gauge must remain in the green zone (3) to ensure that the speed of the intake air does not drop below the safety value of 20 m/sec;
- If it is in the red zone (1) and the filter clogged indicator light is lit, it means that the speed of the air in the vacuum hose is less than 20 m/s and the vacuum cleaner is not working properly. Shake or replace the filter.
- during normal operation conditions, close the vacuum hose, the pointer of the vacuum gauge must switch from the green zone (3) to the red zone (1).



**The air speed in the vacuum hose must not be less than 20 m/s.
Condition indicated by the vacuum gauge pointer in the green zone (3) and by the filter clogged indicator light off.**



All machines can be used only with hoses whose diameters comply with the specifications in the "Technical Data" table.



Consult the "Troubleshooting" chapter if faults occur.

At the end of a cleaning session

- Turn off the machine and remove the plug from the socket.
- Wind up the connection cable.
- Empty the container and clean the machine as described in the "Maintenance, cleaning and decontamination" paragraph.
- Wash the container with clean water if aggressive substances have been vacuumed.
- Store the machine in a dry place, out of reach of unauthorised people.
- Lock the castor brakes.
- During transport and when not using the machine, close the vacuum inlet with the relevant plug (if equipped).

Maintenance, cleaning and decontamination



Disconnect the machine from its power source before cleaning, servicing, replacing parts or converting it to obtain another version/variant.

- Carry out only the maintenance operations described in this manual.
- Use only original spare parts.
- Do not modify the machine in any way.

Failure to comply with these instructions could jeopardize your safety. Moreover, such action would immediately void the EC declaration of conformity/incorporation issued with the machine.



For maintenance procedures not described in this manual, please contact the manufacturer's technical support or sales network.



To guarantee the safety level of the machine, only original spare parts supplied by the manufacturer should be used.



The precautions described below must be taken during all maintenance operations, including cleaning and replacing the primary and absolute filters.



This Class H machine can collect dust hazardous for the health. The procedures for servicing and emptying the machine including removing the dust bag, must only be performed by specialised personnel wearing protective clothing. Do not use without the complete filter system in place.



In particular, on Class H machines, the filtering efficiency of the machine must be checked at least once a year, or more often if required by national legislation. The test method for checking the filtering efficiency of the machine is indicated in standard UL/CSA 60335-2-69, para. 22.AA.201.2. If the test isn't passed, it must be repeated after the class H filter has been changed.

- To allow the user to carry out the maintenance operations, the machine must be disassembled, cleaned and overhauled as far as is reasonably possible, without causing hazards for the maintenance staff or other people. The suitable precautions include decontamination before disassembling the machine, adequate filtered ventilation of the exhaust air from the room in which it is disassembled, cleaning of the maintenance area, and suitable personal protection.
- The external parts of the machine must be decontaminated by cleaning and vacuuming methods, dedusted or treated with sealant before being taken out of a hazardous zone.
- All parts of the machine must be considered as contaminated when they are removed from the hazardous zone and appropriate actions must be taken to prevent dust from dispersing.
- When maintenance or repair procedure are carried out, all the contaminated elements that cannot be properly cleaned, must be eliminated. These elements must be disposed of in sealed bags in accordance with applicable regulations and local laws on the disposal of such material. This procedure must also be followed for filter disposal (primary and absolute filters).
- Compartments that are not dust-tight must be opened with suitable tools (screwdrivers, wrenches, etc.) and thoroughly cleaned.
- A check must be carried out by the manufacturer or the personnel of the same at least once a year. For example: Check the air filters to find out whether the air-tightness of the machine has been impaired in any way and make sure that the electric control panel operates correctly.

Filter cleaning

Primary filter cleaning with manual system

Depending on the quantity of material vacuumed, if the vacuum gauge pointer (2, Fig. 7) moves from the green area (3, Fig. 7) to the red one (1, Fig. 7) and when the filter clogged indicator light (3, Fig. 6) comes on, shake the primary filter by operating the lever (4, Fig. 6), turning it clockwise / counter-clockwise alternately for at least 5 complete cycles.



Stop the machine before using the filter shaker. Do not shake the filter with the machine functioning, as this could damage the filter.

Wait before restarting the machine, to allow the dust to settle. Replace the filter element if the indicator is red, even after the filter has been shaken (see "Primary and absolute filters disassembly and replacement").

[NOTE]

If the indicator is still in the red area. The vacuum hose or one of the accessories may be clogged, and not the filter. Clean these parts if this is the case.

US

Primary filter cleaning with the Pullclean (PC) system

Depending on the quantity of material vacuumed, if the vacuum gauge pointer (2, Fig. 7) moves from the green area (3, Fig. 7) to the red one (1, Fig. 7) and when the filter clogged indicator light (3, Fig. 6) comes on, clean the primary filter by closing the inlet nozzle (3, Fig. 1) and opening the PullClean system flap (11, Fig. 1), repeat the operation 3 or 4 times for 1 or 2 seconds each time.



Perform this procedure with the machine running.

Wait before restarting the machine, to allow the dust to settle. Replace the filter element if the indicator is red, even after the filter has been shaken (see "Primary and absolute filters disassembly and replacement").

[NOTE]

If the indicator is still in the red area. The vacuum hose or one of the accessories may be clogged, and not the filter. Clean these parts if this is the case.

Dust bag cleaning

Longopac® bag for dust collection

Figure 8

The machine is equipped with a dust bag. In this case, the material is discharged by gravity when the vacuuming stops. The Longopac® bag can be cut, sealed or closed to the size required. If the bag is not properly installed, it could create health risks for people exposed.

Dust bag replacement



- **Before proceeding with these operations, turn off the machine and remove the plug from the power socket.**
- **These operations can only be carried out by trained and qualified personnel who must wear adequate clothing, in compliance with the laws in force.**
- **In case of hazardous and/or harmful dust, use only the bags recommended by the manufacturer (see "Recommended spare parts").**
- **The bag must only be disposed of by qualified personnel and in compliance with the laws in force.**
- **Use only original Nilfisk bags.**
- **Only use bags suitable for the machine class you are using.**



Take care not to raise dust during this operation. Wear a P3 mask and other protective clothing plus protective gloves (PPE) suited to the hazardous nature of the dust collected, refer to the laws in force.

How to replace the Longopac® for machines that handle dusts that are hazardous to health.

Figure 8

- Prepare the bag holder with the inside part upwards and insert the Longopac® inside the groove on it. Pull off the Longopac® inner end for at least 250 mm, put the strap around the support as shown in the figure, tighten it by leaving free the excess part of the inner end pulled off previously. Properly arrange the excess Longopac® inside the groove (1).
- Pull off the Longopac® outer end (2), turn it down and close it with the proper band (3).
- Draw near the bag holder to be placed under the hopper cone, insert the pins into the slots and turn the system to lock it at the upper cylinder (4).
- Pull down the bag closed by the band and lay it on the tray. Then, by means of the 2nd supplied belt, fasten the inner end (250 mm-long), which have been previously removed, above the gasket on the hopper (5).

Primary and absolute filter replacement



When the machine is used to vacuum hazardous substances, the filters become contaminated, therefore:

- **Work with care and avoid spilling the vacuumed dust and/or material;**
- **place the disassembled and/or replaced filter in a sealed plastic bag;**
- **close the bag hermetically;**
- **dispose of the filter in accordance with the laws in force.**



Filter replacement is a serious matter. The filter must be replaced with one of identical characteristics, filtering surface and category.

Otherwise the machine will not operate correctly. Before proceeding with these operations, turn off the machine and remove the plug from the power socket.



Before performing these operations, clean the filter as described in the "Maintenance, cleaning and decontamination" paragraph.



Take care not to raise dust during this operation. Wear a P3 mask and other protective clothing plus protective gloves (PPE) suited to the hazardous nature of the dust collected, refer to the laws in force.

US

**CAUTION!**

Reassemble with care to avoid trapping your hands between the vacuum unit and the container. Use gloves that provide protection against mechanical risks (EN 388) with a level of protection CAT. II.

**CAUTION!**

Do not use the Class H filter again after having removed it from the machine.

Primary filter replacement for machines that handle dusts that are hazardous to health.

Figure 9

To replace the primary filter safely, follow the instructions according to the type of filter/cleaning system installed on the machine, and proceed as follows:

- Insert the plug in the vacuum inlet (4).
- Open the closing band (7) and release the safety bolt (6).
- Remove the deck (8) together with the cage, taking care not lift the primary filter (9).
- Insert the belt (10) around the filter chamber.
- Place the bag with the elastic band on the filter chamber (11). Tighten the safety belt (12) on the bag, above the band.
- Tuck in the bag along its length. (13)
- Remove the star filter (14) by grasping the ring with the gasket and lift it until it is completely out of the filter chamber (15).
- Turn the bag on itself to obtain a section of coiled bags to be tightened with two clamps (16). Place the two clamps at a distance of 50 mm between them, then cut in-between (16a) as shown in the figure.
- Dispose of the filter (17) according to the laws in force.
- Loosen the belt (18) and carefully move the bag elastic band (19) towards the filter chamber upper edge.
- Insert the second bag (20) over the first bag (21) and tighten the safety belt (22) on the new bag.
- Through the new bag (20) carefully remove the crop of the first bag (21) from the edge of the filter chamber.
- Bring the crop (21) towards the end of the second bag (20).
- Turn the bag (20) on itself to obtain a section of coiled bags and close of the crop (21) at the bottom of the bag (20) by tightening the clamp (23)
- Loosen and remove the belt, carefully remove the bag from the edge of the filter chamber and dispose of it according to the law in force.
- Reset the vacuum cleaner by inserting a new filter after fastening it on the ring with the metal clamp.
- Install the deck and the cage in the primary filter by taking care that there is one spoke of the cage every two pockets of the star filter.
- Check the correct position of the filter shaker handle.
- Fasten the closing band.
- Tighten the safety bolt (6) again.

[NOTE]

The above procedure and illustrations refer to machines equipped with a star filter system. Nevertheless, they are also valid and applicable for machines with the Pullclean cleaning system and a cartridge filter.

Upstream absolute filter replacement

Figure 10

- Insert the plug in the vacuum inlet.
- Remove the cover (3) from the filter shaker lever and unscrew the nut (4).
- Remove the filter shaker lever (5) from the cage stem.

[NOTE]

If it is hard to remove the filter shaker lever, tap the cage stem slightly from the top.

**CAUTION!**

Do not apply excessive force on the deck cover.

- Unlock the safety bolt (6).
- Release the closing band (7).
- Remove the deck (8) from the cage stem (9), but do not lift the primary filter (10).
- Tilt the deck (8) and lay it on a suitable surface, in order to not ruin the plastic.
- Unscrew the ring nut (11).
- Remove the disc (12), the iron-rubber washer (13) and the absolute filter (14).
- Place absolute filter (14) in a plastic bag, close the bag hermetically and dispose of the filter in accordance with the laws in force.
- Insert a new absolute filter (14) with the same filtering characteristics as the removed one.
- Install the iron-rubber washer (13) and the disc (12), then tighten the ring nut (11).
- Reinstall the deck (8) by inserting it on the cage stem (9).
- Reinstall the filter shaker lever (5) by inserting it into the cage stem (9) and turning it properly.
- Lock the lever with the nut (4), then reinstall the cover (3).
- Fasten the closing band (7).
- Tighten the safety bolt (6) again.

Replacing the absolute filter in suction with Pullclean (PC) system

Figure 11

- Insert the plug in the vacuum inlet.
- Unlock the safety bolt (6).
- Release the closing band (7).
- Remove the deck (8).
- Tilt the deck (8) and lay it on a suitable surface, in order to not ruin the plastic.
- Unscrew the ring nut (11).
- Remove the disc (12), the iron-rubber washer (13) and the absolute filter (14).
- Place absolute filter (14) in a plastic bag, close the bag hermetically and dispose of the filter in accordance with the laws in force.
- Insert a new absolute filter (14) with the same filtering characteristics as the removed one.
- Install the iron-rubber washer (13) and the disc (12), then tighten the ring nut (11).
- Refit the deck (8).
- Fasten the closing band (7).
- Tighten the safety bolt (6) again.

Tightness inspection

Hoses check

Make sure that connecting hoses are in a good condition and correctly fixed.

If the hoses are damaged, broken or badly connected to the unions, they must be replaced.

When sticky materials are treated, check for possible clogging along the hose, in the inlet and on the baffle plate inside the filtering chamber.

To clean, scrape the inlet from the outside to remove deposits.

Filtering chamber gasket check for machines equipped with Longopac® system

Figure 12

Ensure that the Longopac® bag is tight with the gasket (2).

Also check the seal of the gasket positioned on the discharge clapet (1).

The gasket must be replaced if it is torn, cut, etc...

Wiring diagrams









Figure 13

Name	Code	Description	Q.ty
Q1..2	4083901814	Switch 2P 20A	1

Recommended spare parts

The following is a list of spare parts that should be kept ready at hand in order to speed up maintenance operations.

Refer to the manufacturer's spare parts catalogue when ordering spare parts.

	Name	Model
	Star filter kit	4081701393
	Primary filter kit (PC versions)	4081701393
	Filter ring gasket	Z8 17025
	Filter clamp	4084001291
	Absolute filter	4081701384
	Longopac	4084000956
	1000W Motor	40000938
	Brushes for 120V 1000W motors (2 pcs)	40000886

Troubleshooting

Problem	Cause	Remedy
The machine does not start	Lack of power supply	Check for power at the socket. Check the condition of the socket and the cable. Ask for assistance to be performed by a qualified manufacturer's technician.
The machine revolutions increase	Clogged primary filter Clogged vacuum hose	Use the filter shaker (models with manual filter shaker). Replace it if this is not sufficient. Check the vacuum hose and clean it.
Dust leaks from the machine	The filter is torn Inadequate filter	Replace it with another of identical type. Replace it with another of a suitable category and check.
Noisy motors	Motor brushes (carbon) worn or broken	Remove and replace the (carbon) motor brushes.
Electrostatic current on the machine	Missing or inefficient grounding	Check all ground connections. In particular on the vacuum inlet fitting; replace the hose with an antistatic hose.

Warranty

Nilfisk warrants that its equipment will be free of defects in workmanship or material for a period of two years from the date of delivery. If the vacuum fails to meet these warranty standards, Nilfisk shall, upon notification within such time period, correct such non-conformity, at its option, either by repairing any defective part or parts, or by replacing a part or parts, provided that the equipment is returned to an authorized Nilfisk service facility. In all cases freight both ways will be at expense of the customer. Equipment shall not be returned without advance notice to, and consent of Nilfisk.

EXCEPT AS SPECIFICALLY SET FORTH HEREIN, NILFISK MAKES NO WARRANTIES, EITHER EXPRESSED OR IMPLIED, AS TO ANY MATTER WHATSOEVER, INCLUDING WITHOUT LIMITATION ANY AND ALL WARRANTIES OF MERCHANTABILITY, FITNESS OF PURPOSE, OR OTHER WARRANTIES, ALL OF WHICH ARE EXPRESSLY DISCLAIMED AND EXCLUDED. NEITHER PARTY SHALL BE LIABLE TO THE OTHER FOR SPECIAL, INDIRECT, INCIDENTAL OR CONSEQUENTIAL DAMAGES, INCLUDING BUT NOT LIMITED TO LOSS OF PRODUCTION, LOSS OF PROFITS OR ANY OTHER SIMILAR INDIRECT LOSSES WHICH MIGHT OCCUR AS A RESULT OF DEFECTS, PARTIAL OR TOTAL FAILURE OF THE PRODUCT TO PERFORM AS SPECIFIED.

Correction of non-conformities or defects in the manner and for the period of time provided above, shall constitute fulfillment of all liabilities of Nilfisk to the customer, whether based on contract, negligence or otherwise with respect to, or arising out of such equipment. The remedies set forth herein are exclusive, and the liability of Nilfisk with respect to this sale or anything done in connection therewith, whether in contract, in tort, under any warranty, or otherwise, shall not, except as expressly provided herein, exceed the price of the equipment or part on which such liability is based.

This warranty does not cover repairs due to normal wear and tear, accident, neglect, misuse or abuse, incorrect installation or use other than as described in the instruction booklet. Breaks in hoses and cables are not covered.

This warranty is rendered void if the motor number plate is removed or defaced or if repairs are made or attempted by persons not authorized by Nilfisk.

Some states do not allow exclusion of implied warranties or limitations on how long an implied warranty lasts so the above exclusions or limitation of implied warranties may not apply. Some states do not allow exclusion or limitation of incidental or consequential damages so the above exclusion or limitation of incidental or consequential damages may not apply.

Limited warranties set forth above give specific legal rights. Customer may have other rights which vary from state to state.

Table des matières

Mode d'emploi	2
Sécurité de l'opérateur	2
Informations générales sur l'utilisation de la machine	2
Utilisations prévues	2
Utilisations inappropriées	2
Essai et garantie.....	3
Instructions pour les demandes d'intervention	3
Exclusion de responsabilité	3
Versions et variantes de fabrication	3
Recommandations générales.....	3
Risque résiduel.....	4
Description de la machine	5
Composants de la machine et plaques	5
Options de transformation	5
Accessoires	5
Emballage et déballage	5
Déballage, manutention, emploi et stockage	5
Kit de levage (en option)	6
Mise en service - raccordement au réseau d'alimentation électrique	6
Rallonges	6
Instructions de mise à la terre	7
Aspiration de substances sèches.....	7
Caractéristiques techniques	8
Dimensions.....	8
Commandes et indicateurs.....	9
Contrôles avant la mise en marche.....	9
Mise en marche et arrêt	9
Arrêt d'urgence	9
Fonctionnement.....	9
Entretien, nettoyage et décontamination	10
Nettoyage du filtre	10
Nettoyage du sac à poussière	11
Remplacement du sac à poussière	11
Remplacement des filtres primaire et absolu	12
Contrôle des étanchéités.....	13
Schémas électriques	13
Pièces détachées conseillées	14
Dépannage	15
Garantie	16

Mode d'emploi

Lire les instructions du mode d'emploi et observer les avertissements importants de sécurité repérés par la mention **ATTENTION !**

Sécurité de l'opérateur

! ATTENTION !



Avant de mettre la machine en service, lire absolument les instructions d'utilisation et les garder à portée de main pour pouvoir les consulter en cas de besoin.

L'utilisation de la machine est réservée exclusivement au personnel expérimenté, formé et expressément chargé du fonctionnement.

Avant l'utilisation, les opérateurs doivent être instruits et formés à l'utilisation de la machine et des substances pour lesquelles il doit être utilisé, y compris la méthode sûre d'évacuation et d'élimination de la matière recueillie.

! ATTENTION !

Cette machine ne doit pas être utilisée par des personnes (y compris des enfants) présentant des troubles psychiques, sensoriels ou mentaux ou ayant un degré d'instruction et de connaissance insuffisant, à moins qu'ils soient sous la surveillance d'une personne compétente dans l'emploi ou le maniement sécurisé de la machine.

Les enfants doivent être surveillés afin qu'ils ne jouent pas avec la machine.

! ATTENTION !

Avant d'utiliser la machine s'assurer que toute condition de danger a été éliminée et informer les responsables préposés de toute irrégularité éventuelle de fonctionnement.

S'assurer que toutes les protections et les dispositifs de sécurité sont à leur place et efficaces.

Les interventions de réparation doivent être effectuées la machine à l'arrêt, débranchée de l'alimentation électrique et pneumatique. Ne pas effectuer aucune intervention de réparation sans autorisation préalable.

! ATTENTION !

Tout changement apporté par l'utilisateur sans l'autorisation explicite du fabricant rend la garantie caduque et exonère le fabricant de toutes responsabilités en cas de dommages causés par des produits défectueux.

Informations générales sur l'utilisation de la machine

L'utilisation de la machine est soumise aux normes internationales en vigueur.

En plus des instructions du mode d'emploi et des règlements en vigueur dans le Pays où il est utilisé, pour la prévention des accidents il est nécessaire d'observer les règles techniques pour un travail sûr et correct (Législation relative à la sécurité sur le lieu de travail, Directive Communautaire 89/391/CE et suivant).

Éviter tout travail pouvant porter atteinte à la sécurité des personnes, des choses et de l'environnement.

Observer les informations et les prescriptions de sécurité contenues dans ce manuel d'instructions.

Utilisations prévues

Cet appareil convient pour l'emploi commercial, par exemple dans des hôtels, des écoles, des hôpitaux, des usines, des magasins, des bureaux, des résidences, pour l'emploi en location et de toute manière pour des emplois différents du simple usage domestique.

Cet appareil convient pour les travaux de nettoyage et de collecte de matières solides en lieux couverts et à ciel ouvert.

La machine a été conçue pour être utilisée par un seul opérateur.

Cet appareil comprend une unité d'aspiration précédée d'un filtre à l'aspiration et munie d'une cuve pour la collecte des déchets aspirés.

Utilisations inappropriées

! ATTENTION !

Sont formellement interdits :

- *L'utilisation en plein air en cas de précipitations atmosphériques.*
- *L'utilisation de l'appareil sur des surfaces non planes et non horizontales.*
- *L'utilisation sans l'unité de filtration prévue par le fabricant.*
- *L'utilisation avec la bouche et/ou le tuyau d'aspiration tournés vers le corps humain.*
- *L'utilisation sans couverture de l'unité d'aspiration.*
- *L'utilisation sans avoir installé la cuve à poussières.*
- *L'utilisation sans les abris, les protections et les dispositifs de sécurité installés par le fabricant.*
- *L'utilisation du convoyeur en bouchant partiellement ou totalement les prises d'air de refroidissement des composants intérieurs.*
- *L'utilisation de la machine couverte par des toiles en plastique ou en tissu.*
- *L'utilisation avec les bouches d'échappement d'air complètement ou partiellement fermées.*
- *L'utilisation dans des endroits exigus, qui ne permettent pas l'échange d'air.*



ATTENTION !

Sont formellement interdits :

- *Lorsque le câble ou la fiche est endommagé. Si la machine ne fonctionne pas correctement, si elle est endommagée, laissée à l'extérieur ou tombée dans l'eau, la porter auprès d'un service après-vente agréé.*
- *L'aspiration de liquides avec machines non munis de systèmes originaux d'arrêt spécifiques.*
- *Ne pas la tirer par le câble, ne pas utiliser le câble d'alimentation comme poignée, ne pas fermer de porte sur le câble et ne pas tirer le câble sur des surfaces ou coins tranchants. Ne pas démarrer la machine sur le câble. Tenir le câble loin des surfaces chaudes.*
- *L'aspiration des matériaux suivants :*
 1. *Matières ardentes (braises, cendres chaudes, cigarettes allumées, etc.).*
 2. *Flammes libres.*
 3. *Gaz combustibles.*
 4. *Liquides inflammables, combustibles agressifs (essence, solvants, acides, solutions alcalines, etc.).*
 5. *Poussières/substances et/ou mélanges explosifs et à allumage spontané (poussières de magnésium ou d'aluminium, etc.).*

REMARQUE : *Tout ce qui a été mentionné ci-dessus n'inclut pas l'utilisation dolosive et cette dernière est absolument interdite.*

Essai et garantie

- **Essai**
Chaque machine est soumise à un test final portant sur son fonctionnement et ses performances. Cela garantit une efficacité maximale pendant le travail que la machine doit effectuer.
- **Garantie**
Les clauses de la garantie sont précisées dans le contrat de vente.

Instructions pour les demandes d'intervention

En cas d'anomalies de fonctionnement ou de défauts rendant nécessaire l'intervention de techniciens spécialisés, s'adresser directement au Constructeur ou au Service Après-Vente le plus proche.

Exclusion de responsabilité

La machine a été livrée à l'utilisateur aux conditions valables au moment de l'achat.

L'utilisateur n'est autorisé sous aucune prétexte à manipuler frauduleusement la machine.

Lorsque vous remarquez des anomalies, contactez le Service Après-Vente le plus proche.

Toute tentative de démonter, modifier ou manipuler n'importe quel composant de la machine en invalidera la garantie et dégage le Constructeur de toute responsabilité pour les éventuels dommages, aux personnes et aux biens, qui en résulteront.

En outre, le Constructeur est déchargé de toute responsabilité quant à :

- Installation incorrecte.
- Utilisation incorrecte de la machine de la part de personnel pas adéquatement formé.
- Utilisation contraire aux normes en vigueur dans le pays d'installation.
- Absence ou mauvais entretien prévu.
- Utilisation de pièces détachées non d'origine ou non spécifiques pour le modèle.
- Non respect total ou partiel des instructions.
- Manque d'envoi du certificat de garantie.
- Conditions environnementales exceptionnelles.

Versions et variantes de fabrication

Versions pour les poussières nocives pour la santé (L-M-H)

Les appareils pour poussières nocives pour la santé sont classés, conformément à la norme UL/CSA 60335-2-69 - Ann. AA, selon différentes classes de poussières :

- **L** (risque modéré) adapté pour séparer la poussière avec une valeur limite d'exposition en fonction du volume occupé supérieure à 1 mg/m³ ; retient au moins 99% des particules aspirées ;
- **M** (risque moyen) adapté pour séparer la poussière avec une valeur limite d'exposition non inférieure à 0,1 mg/m³ ; retient au moins 99,9% des particules aspirées ;
- **H** (risque élevé) adapté pour séparer toutes les poussières avec une valeur limite d'exposition en fonction du volume occupé inférieure à 0,1 mg/m³ incluant les poussières cancérogènes et pathogènes, dont l'amiante ; retient au moins le 99,995% de particules aspirées.

[REMARQUE]

- *En cas de poussières nocives pour la santé, s'adresser aux autorités nationales préposées à la santé et la sécurité, et respecter les normatives nationales en vigueur pendant l'emploi et l'élimination.*
- *Les substances radio-actives ne font pas partie par définition du type de poussières nocives pour la santé, décrites plus haut.*

[REMARQUE]

Les machines conçues pour le ramassage de la sciure et de poussière minérale contenant du quartz seront au moins de classe M.

FR

Recommandations générales



ATTENTION !

En cas d'urgence :

- *par exemple, accident - panne - rupture du filtre - incendie - etc.*
- Couper l'alimentation électrique de la machine et demander l'intervention de personnel spécialisé.**
Si l'utilisateur entre en contact avec le produit aspiré, vérifier les avertissements indiqués dans la fiche technique de sécurité du produit même, qui doit être mise à disposition par l'employeur.

[REMARQUE]

Ne pas utiliser ces appareils dans des milieux corrosifs.

Risque résiduel

Après avoir pris en considération les risques présents durant toutes les phases de fonctionnement de la machine, des mesures nécessaires ont été adoptées afin d'éliminer les risques pour les opérateurs, dans la mesure du possible, et/ou afin de limiter ou réduire les risques dus à des dangers ne pouvant pas être totalement éliminés à la source.

Durant les opérations et/ou l'entretien, les opérateurs sont exposés à certains risques résiduels qui, en raison de la nature même des opérations, ne peuvent pas être complètement éliminés. L'installateur est donc responsable de fournir des informations supplémentaires et/ou des signaux de danger en fonction de l'emplacement d'installation de la machine et des matières traitées.

Dangers électriques encourus durant l'entretien



DANGER

Risque d'électrocution en cas d'accès aux composants électriques durant l'entretien sans avoir désactivé l'alimentation électrique.



INTERDICTION

Il est interdit de travailler sur les composants électriques avant d'avoir débranché la machine ou ses pièces de la ligne électrique.



OBLIGATION

Les opérations d'entretien électrique doivent être réalisées par du personnel qualifié. Réaliser les contrôles sur les composants électriques comme indiqué dans le manuel.

Risques liés à la présence d'une température élevée résiduelle après l'arrêt de l'unité d'aspiration.

Au cours des opérations d'entretien et de nettoyage, l'opérateur peut être amené, alors que la machine est à l'arrêt, à être en contact avec des pièces de l'unité d'aspiration dont la température en surface est élevée. Des signaux d'avertissement spécifiques placés dans des points stratégiques indiquent les risques dus à la présence de surfaces chaudes et l'obligation, pour l'utilisateur, de porter un équipement de protection personnelle et, en particulier, des gants de protection.

Les pièces potentiellement chaudes (températures élevées) sont identifiées comme suit :



IL EST OBLIGATOIRE DE PORTER DES GANTS



**ATTENTION
TEMPÉRATURES
DANGEREUSES**

Description de la machine

Composants de la machine et plaques

Figure 1

1. Plaque d'identification :
Code du modèle, numéro de série, marquage NRTL, année de fabrication, poids (kg)
2. Système de collecte de matériel aspiré
3. Bouche d'aspiration
4. Bouchon de fermeture de la cuve latérale
5. Bouches d'échappement d'air
6. Système de verrouillage des roues
7. Poignée
8. Levier d'étrier de fermeture
9. Verrou de sécurité
10. Étiquette d'avertissement pour les aspirateurs de classe L - M - H
11. Système de nettoyage du filtre primaire
12. Fiche pour le raccordement de l'aspirateur à la prise électrique.

Cette machine produit un flux d'air fort qui est aspiré par la aspiration bouche d'aspiration et est émis par le système d'échappement.

Avant de démarrer la machine, insérer le tuyau d'aspiration dans la bouche spécial et monter l'accessoire adapté au travail à effectuer sur l'extrémité du tuyau (consulter le catalogue des accessoires ou se référer au Service Après-Vente du fabricant). Le diamètre des tuyaux autorisés est indiqué dans le tableau des caractéristiques techniques.

La machine est équipée d'un filtre primaire qui permet le fonctionnement de la plupart des applications.

En plus du filtre primaire qui retient les poussières les plus courantes, il existe également un filtre secondaire (filtre absolu). Cette machine est équipée d'une chicane interne qui soumet les substances aspirées à un mouvement centrifuge circulaire, les faisant tomber dans le sac à poussière.

Figure 2

Les appareils pour les poussières nocives pour la santé et/ou pour les poussières combustibles sont classés, conformément à la norme UL/CSA 60335-2-69 - Ann. AA, selon différentes classes de poussières :

1. Étiquette de classe H
- 2.

L'étiquette classe H indique en entier la mention figurant ci-dessus.

! ATTENTION !



Cet aspirateur contient de la poussière dangereuse pour la santé. Les opérations de vidange et d'entretien, y compris le retrait des moyens de collecte de la poussière, doivent être confiés exclusivement au personnel agréé portant des vêtements de protection personnelle adaptés. Ne pas faire fonctionner sans système de filtration complet.

Options de transformation

Différents types d'option de transformation de la machine sont disponibles.

Sur demande, la machine peut être muni de jeux en option déjà installés. Toutefois, ils peuvent également être installés ultérieurement.

Pour informations, veuillez contacter le réseau commercial.

Les instructions décrivant le mode d'installation des jeux en option, leur modes de fonctionnement et d'entretien sont fournis avec ces jeux.

! ATTENTION !

Utiliser uniquement des options d'origine fournies et agréées.

Accessoires

Plusieurs accessoires sont disponibles ; veuillez consulter le catalogue des accessoires du constructeur.

! ATTENTION !

Utiliser uniquement des accessoires d'origine fournis et agréés par le constructeur.

Emballage et déballage

Le produit envoyé a été soigneusement contrôlé avant la livraison au commissionnaire de transport.

Au moment de la réception de la machine, contrôler les dommages éventuels subis pendant le transport. Dans ce cas, adresser immédiatement une réclamation au transporteur.

Éliminer les matériaux de l'emballage conformément à la législation en vigueur.

Figure 3

Modèle	A (in)	B (in)	C (in)	lb (*)
SP102Nx	27.5	31.5	69	220

(*) Poids avec emballage

FR

Déballage, manutention, emploi et stockage

Pour déballer l'unité d'aspiration, retirer les supports avec un marteau et un tournevis.

Retirer également les dispositifs de fixation placés par le fabricant lors de l'emballage, à l'aide d'outils appropriés.

Débloquer les freins des roues et retirer la machine de la plateforme de support, en utilisant une rampe qui peut fournir une capacité adéquate, et en conduisant l'aspirateur par la poignée.

Travailler sur des surfaces plates et horizontales.

La portée du plan d'appui sur lequel repose la machine doit être adaptée à son poids.

En cas d'utilisation à poste fixe, prévoir un grand espace autour de l'appareil de façon à se déplacer librement et à permettre aux opérateurs d'effectuer les opérations d'entretien sans difficultés.

Kit de levage (en option)

Figure 4

Si vous avez acheté le kit de levage de la machine en option, fixez les courroies fournies et le mousqueton relatif aux œilletons de levage (1) sur le cadre et procédez aux opérations de manipulation de la machine.

Assurez-vous qu'il n'y a pas de matériau aspiré à l'intérieur de l'aspirateur et que le filtre est propre conformément aux instructions données dans le paragraphe « Entretien, nettoyage et décontamination ».

ATTENTION !

Utilisez un système de levage adapté au poids de la machine indiqué sur la plaque correspondante.

ATTENTION !

Soulevez lentement la machine à une courte distance du sol afin de vous assurer qu'elle est stable.

ATTENTION !

Pendant les transferts, gardez la charge aussi basse que possible pour assurer une plus grande visibilité et stabilité, et pour opérer en toute sécurité.

ATTENTION !

Le fabricant décline toutes responsabilités en cas de dégâts causés à la machine pendant le levage, si l'on n'utilise pas l'équipement de levage fourni par le fabricant.

ATTENTION !

- Lorsque l'appareil fonctionne, éviter de marcher, écraser, tirer ou endommager le câble qui le raccorde au secteur électrique.
- Lorsque l'appareil fonctionne, éviter de débrancher le câble du secteur en tirant simplement sur la fiche (ne pas tirer sur le câble en lui-même).
- En cas de remplacement du câble d'alimentation électrique, le remplacer par un câble d'origine du même type : H07 RN-F. la même règle est valable si l'on utilise une rallonge.
- Le câble d'alimentation doit être remplacé par le Service après-vente du constructeur ou par du personnel qualifié équivalent.

Les responsables de la sécurité des installations doivent s'assurer que :

- Prévenir toute utilisation ou manœuvre inappropriée.
- Vérifier que les dispositifs de sécurité n'ont pas été retirés ou déjoués.
- Contrôler que toutes les opérations d'entretien sont régulièrement accomplies ;
- Vérifier qu'aucune pièce de la machine (raccords, orifices, etc.) n'a été modifiée pour y fixer des dispositifs supplémentaires ;
- Vérifier que seuls des pièces détachées d'origine Nilfisk sont utilisées.

REMARQUE

L'utilisateur sera responsable de la conformité de l'installation à toutes les dispositions légales en vigueur au niveau local. La machine doit être installée par un technicien qualifié ayant lu et compris les instructions de ce manuel.

Mise en service - raccordement au réseau d'alimentation électrique

ATTENTION !

- Avant la mise en service, s'assurer qu'il n'y a aucun signe de dommage à la machine.
- Avant de brancher la machine au réseau, s'assurer que la tension indiquée sur la plaque correspond à celle du réseau.
- Brancher la fiche du câble de connexion dans une prise avec contact / raccordement de mise à la terre installé correctement. S'assurer que la machine est éteinte.
- Les fiches et les connecteurs des câbles de connexion au réseau doivent être protégés contre les éclaboussures d'eau.
- Contrôler si le branchement au réseau électrique est correct.
- N'utiliser que des machines dont les câbles de connexion au réseau électrique sont en parfait état (si le câble est endommagé, il y a risque d'électrocution !).
- Vérifier régulièrement l'absence de dommages et de signes d'usure, déchirures ou vieillissement du câble de branchement au réseau.

Rallonges

Si l'on utilise une rallonge, faire attention à la section qui doit être adaptée au courant absorbé et au degré de protection de la machine.

P. max (kW)	3
Section minimum (mm ²)	16
Longueur maximum (m)	785
Câble	SJT

ATTENTION !

Les prises, les fiches, les serre-câbles, les connecteurs et la pose du câble de la rallonge doivent être tels à maintenir le degré de protection IP indiqué sur la plaque de la machine.

ATTENTION !

La prise d'alimentation de la machine doit être protégée par un coupe-circuit différentiel à limitation du courant de défaut, qui coupe l'alimentation quand le courant dispersé vers la terre dépasse les 30 mA pendant 30 ms, ou par un circuit de protection équivalent.

⚠ ATTENTION ! ⚠

Ne jamais pulvériser d'eau sur la machine : ceci est dangereux pour les personnes et risque de créer un court-circuit de l'alimentation.

Instructions de mise à la terre

Cet appareil doit être branché à la terre. En cas de panne, la mise à la terre fournit au courant un chemin de moindre résistance ce qui réduit le risque de choc électrique. Cet appareil est équipé d'un câble avec conducteur de mise à la terre et d'une fiche de mise à la terre. La fiche doit être insérée dans une prise de courant appropriée, correctement installée et mise à la terre conformément à toutes les réglementations et ordonnances locales.

⚠ ATTENTION ! ⚠

Une mauvaise connexion du conducteur de mise à la terre de l'appareil peut entraîner un risque d'électrocution. En cas de doute sur la mise à la terre correcte de la prise, contacter un technicien qualifié. Ne pas modifier la fiche fournie avec l'appareil si elle n'est pas adaptée à la prise ; faire installer une prise appropriée par un électricien qualifié.

Aspiration de substances sèches**[REMARQUE]**

Les filtres fournis et le sac de collecte (s'ils sont prévus) doivent être mis en place correctement.

⚠ ATTENTION ! ⚠

Respecter les consignes de sécurité relatives aux matières aspirées.

Caractéristiques techniques

Paramètre	Unités de mesure	SP102
Tension (60Hz)	V	120
Puissance	kW	2.00
Courant	A	17.3
Aspiration maxi	in h2o	83
Débit d'air max. (tuyau 118 in Ø 2 in)	cfm	165
Niveau de pression acoustique (Lpf) (*)	dB(A)	74
Vibrations, ah (**)	m/s ²	≤2.5
Protection	IP	44
Isolation	Class	I
Bouche d'aspiration (diamètre)	in	2
Tuyaux autorisés	in	1.5 / 2
Surface filtre primaire	Sq. ft	17
Surface filtre absolu à l'aspiration	Sq. ft	17
Rendement du filtre absolu	%	99,995 (H14)

(*) Incertitude de mesures KpA <1,5 dB(A). Valeur d'émissions sonores conformes à UL/CSA 60335-2-69

(**) Valeur totale d'émission de vibrations auxquelles sont soumis le bras et la main de l'opérateur

Dimensions

Figure 5

Modèle	SP102N1
A (in)	33
B (in)	24
C (in)	51
Weight (lb)	154

[REMARQUE]

- *Conditions de stockage :*
Température : -10°C ÷ +40°C
Humidité : ≤ 85%
- *Conditions de fonctionnement :*
Altitude maximum : 800 m
(Jusqu'à 2 000 m avec performances réduites)
Température : -10°C ÷ +40°C
Humidité : ≤ 85%

Commandes et indicateurs

Figure 6

1. **Bouton de démarrage/arrêt du premier et du deuxième moteur et voyant lumineux**
Utiliser le bouton pour démarrer/arrêter le premier moteur. S'il est allumé, le témoin indique la mise en marche du premier moteur.
2. **Vacuomètre**
3. **Voyant filtre colmaté**
4. **Système de nettoyage manuel du filtre**

Contrôles avant la mise en marche

Avant de démarrer, contrôler :

- Que les filtres sont en place.
- Que l'étrier de fermeture est bien serré.
- Le tuyau d'aspiration et les outils ont été correctement installés dans l'entrée d'aspiration.
- Le sac à poussière est présent.



Ne pas utiliser l'appareil si les filtres sont défectueux.

Mise en marche et arrêt

Figure 6



Avant de démarrer la machine, bloquer les freins des roues

- Tourner le bouton (1) sur « I » pour mettre en marche le premier moteur.
- Tourner le bouton (1) sur « I » pour mettre en marche le deuxième moteur.
- Tourner le bouton (1) sur « 0 » pour arrêter le premier moteur.
- Tourner le bouton (1) sur « 0 » pour arrêter le deuxième moteur.

Arrêt d'urgence

Figure 6

Appuyez sur les boutons (1) pour qu'ils soient en position « 0 ». L'aspirateur s'arrête.



Les moteurs et les dispositifs intérieurs de l'aspirateur restent alimentés en électricité.

Fonctionnement

Figure 7

Vacuomètre (2) : zone verte (3), zone rouge (1)

Pendant l'utilisation de la machine, vérifier le contrôle du débit :

- pendant la marche, l'aiguille du vacuomètre doit rester dans la zone verte (3) afin de garantir que la vitesse de l'air aspiré ne descende pas sous la valeur de sécurité de 20 m/s ;
- Si elle se trouve dans la zone rouge (1) et que le voyant d'obstruction du filtre est allumé, cela signifie que la vitesse de l'air dans le tuyau d'aspiration est inférieure à 20 m/s et que l'aspirateur ne fonctionne pas correctement. Secouer ou remplacer le filtre.
- en conditions normales de fonctionnement, fermer le tuyau d'aspiration, l'aiguille du vacuomètre doit passer de la zone verte (3) à la zone rouge (1).



**La vitesse de l'air dans le tuyau d'aspiration ne doit pas être inférieure à 20 m/s.
État indiqué par le pointeur de la jauge à vide dans la zone verte (3) et par le voyant du filtre obstrué éteint.**



Les machines ne peuvent s'employer qu'avec des tuyaux dont le diamètre est conforme aux spécifications du tableau des « Caractéristiques techniques ».



En cas de problèmes, voir le chapitre « Recherche des pannes ».

À la fin du nettoyage

- Arrêter la machine et débrancher la fiche de la prise.
- Enrouler le câble de connexion.
- Vider la cuve et nettoyer la machine comme prévu au paragraphe « Entretien, nettoyage et décontamination ».
- Si des substances agressives ont été aspirées, laver la cuve à l'eau courante.
- Déposer la machine dans un local sec, hors de la portée de personnes non autorisées.
- Bloquer les freins des roues.
- Pendant le transport et lorsque la machine est inutilisée, fermer la bouche d'aspiration avec le bouchon approprié (si présent).

Entretien, nettoyage et décontamination

⚠ ATTENTION ! ⚠

Avant d'effectuer tout travail de nettoyage ou d'entretien et pendant le remplacement des pièces ou la reconversion de la machine à une autre version / variante, débrancher le convoyeur de la source d'alimentation.

- *S'en tenir aux travaux d'entretien décrits dans ce mode d'emploi.*
- *N'utiliser que des pièces détachées d'origine.*
- *Ne pas apporter de modifications à la machine.*

Si ces indications ne sont pas respectées, votre sécurité peut être compromise. En outre, la déclaration CE de conformité / incorporation émise avec la machine n'est plus valable.

⚠ ATTENTION ! ⚠

Pour les procédures d'entretien non décrites dans ce manuel, prière de contacter le service après vente ou le réseau commercial du fabricant.

⚠ ATTENTION ! ⚠

Pour garantir le niveau de sécurité de la machine, on n'admet que les pièces détachées d'origine fournies par le fabricant.

⚠ ATTENTION ! ⚠

Les précautions décrites ci-dessous doivent être appliquées pendant toutes les opérations d'entretien, y compris le nettoyage et le remplacement des filtres primaire et absolu.

⚠ ATTENTION ! ⚠

Cette machine de classe H peut aspirer des poussières dangereuses pour la santé. Les procédures d'entretien et de vidange, y compris le retrait du sac à poussière, doivent être confiées exclusivement à du personnel spécialisé, dûment équipé de vêtements protecteurs. Ne pas faire fonctionner sans système de filtration complet.

⚠ ATTENTION ! ⚠

Notamment, sur les machines de Classe H, l'efficacité de la filtration de la machine devrait être contrôlée au moins une fois par an, voire plus souvent si la législation nationale l'impose. La méthode d'essai pour vérifier l'efficacité de filtration de la machine est indiquée dans la norme UL/CSA 60335-2-69, par. 22.AA.201.2. Si le test n'est pas satisfaisant, il devra être répété après avoir remplacé le filtre de classe H.

- Pour permettre à l'utilisateur de mener à bien les opérations d'entretien, l'appareil doit être démonté, nettoyé et révisé, dans la mesure du possible et de façon raisonnable, sans faire courir de risques au personnel d'entretien et au reste du personnel. Les précautions appropriées incluent la décontamination avant le démontage, une ventilation filtrée de l'air purgé de la pièce où est démonté l'appareil, le nettoyage de la zone d'entretien et une protection adéquate du personnel.
- L'extérieur de la machine doit être décontaminé en utilisant des méthodes de nettoyage par aspiration, dépoussiéré ou traité avec un matériau d'étanchéité avant d'être porté hors d'une zone dangereuse.
- Toutes les parties de l'appareil doivent être considérées comme contaminées quand elles sont retirées de la zone dangereuse. Des précautions doivent être prises pour prévenir la dispersion de la poussière.
- Quand on effectue des opérations d'entretien ou de réparation, tous les éléments contaminés qui ne peuvent pas être nettoyés correctement doivent être éliminés. Ces éléments doivent être éliminés dans des sachets imperméables conformément aux règlements applicables dans le respect des législations locales d'élimination de ces matières. Cette procédure doit également être suivie pour l'élimination des filtres (primaire et absolu).
- Les compartiments qui ne sont pas étanches à la poussière doivent être ouverts avec des outils appropriés (tournevis, clés, etc.) et soigneusement nettoyés.
- Au moins une fois par an, faire exécuter un contrôle par le fabricant ou par son personnel après-vente technique. Par exemple : Contrôler les filtres à air pour vérifier l'étanchéité à l'air de la machine et contrôler le fonctionnement du boîtier électrique de commande.

Nettoyage du filtre

Nettoyage du filtre primaire avec système manuel

En fonction de la quantité de matériau aspiré, si l'aiguille de la jauge à vide (2, Fig. 7) se déplace de la zone verte (3, Fig. 7) à la zone rouge (1, Fig. 7) et lorsque le voyant lumineux de filtre colmaté (3, Fig. 6) s'allume, secouer le filtre primaire en actionnant le levier (4, Fig. 6), en le tournant alternativement dans le sens horaire/antihoraire pendant au moins 5 cycles complets.

⚠ ATTENTION ! ⚠

Avant d'actionner le secoueur, arrêter la machine. Ne pas secouer le filtre quand la machine est en marche, on peut l'endommager.

Avant la remise en marche attendre que la poussière ait le temps de se déposer.

Malgré le secouage du filtre, remplacer l'élément filtrant si le témoin reste rouge (voir le paragraphe « Démontage et remplacement des filtres primaire et absolu »).

[REMARQUE]

Si l'indicateur est toujours dans le rouge. Il se pourrait que ce soit le tuyau d'aspiration ou un des accessoires qui est colmaté, plutôt que le filtre. Pourtant, il est nécessaire de les nettoyer.

Nettoyage du filtre principal avec le système Pullclean (PC)

En fonction de la quantité de matériau aspiré, si l'aiguille de la jauge à vide (2, Fig. 7) se déplace de la zone verte (3, Fig. 7) à la zone rouge (1, Fig. 7) et lorsque le voyant lumineux de filtre colmaté (3, Fig. 6) s'allume, nettoyer le filtre principal en fermant la buse d'entrée (3, Fig. 1) et en ouvrant le volet du système PullClean (11, Fig. 1), répéter l'opération 3 ou 4 fois pendant 1 ou 2 secondes à chaque fois.

⚠ ATTENTION ! ⚠

Lancer cette procédure pendant que l'aspirateur tourne.

Avant la remise en marche attendre que la poussière ait le temps de se déposer.

Malgré le secouage du filtre, remplacer l'élément filtrant si le témoin reste rouge (voir le paragraphe « Démontage et remplacement des filtres primaire et absolu »).

[REMARQUE]

Si l'indicateur est toujours dans le rouge. Il se pourrait que ce soit le tuyau d'aspiration ou un des accessoires qui est colmaté, plutôt que le filtre. Pourtant, il est nécessaire de les nettoyer.

Nettoyage du sac à poussière

Sac Longopac® pour l'aspiration des poussières

Figure 8

La machine est équipée d'un sac à poussière.

Dans ce cas, la poussière est déchargée par gravité lorsque l'aspiration s'arrête. Le sac Longopac® peut être coupé, fermé hermétiquement ou fermé à la taille requise.

Si le sac est mal monté, il peut représenter un risque pour la santé des personnes exposées.

Remplacement du sac à poussière

⚠ ATTENTION ! ⚠

- Avant d'effectuer ces travaux éteindre la machine et débrancher la fiche de la prise de courant.
- Ces opérations peuvent être effectuées, dans le respect des lois en vigueur, uniquement par du personnel formé et spécialisé qui doit porter des vêtements de protection appropriés.
- En cas de poussières dangereuses et / ou nuisibles à la santé, utiliser exclusivement les sacs indiqués par le fabricant (voir « Pièces détachées conseillées »).
- L'élimination du sac de récolte doit être effectuée par du personnel formé et dans le respect des lois en vigueur.
- N'utiliser que des sacs d'origine Nilfisk.
- Utiliser exclusivement des sacs adaptés à la classe de la machine utilisée.

⚠ ATTENTION ! ⚠

Pendant ces entretiens, faire attention à ne pas soulever de poussière. Porter un masque P3, des vêtements et gants de protection (EPI) adaptés à la classe de risque de la poussière aspirée, en se référant à la législation en vigueur.

Comment remplacer le sac Longopac® pour les machines traitant des poussières dangereuses pour la santé.

Figure 8

- Préparer le porte-sac avec la partie interne tournée vers le haut et insérer le Longopac® à l'intérieur de la gorge qui se trouve dans le porte-sac. Faire coulisser l'extrémité interne du Longopac® sur 250 mm au moins, mettre la sangle autour du support selon l'indication illustrée dans la figure, la serrer en laissant libre la partie dépassant de l'extrémité interne insérée au préalable. Placer correctement le Longopac® en excès à l'intérieur de la gorge (1).
- Faire coulisser l'extrémité externe (2) du Longopac® et le retourner vers le bas en la fermant à l'aide du collier prévu à cet effet (3).
- Approcher le porte-sac à positionner sous le cône de la trémie, insérer les pivots dans les logements d'encastrement et tourner le système de façon à le bloquer au cylindre supérieur (4).
- Tirer le sac fermé à l'aide du collier vers le bas et le faire appuyer sur le plateau. Puis au moyen de la 2e sangle, fixer l'extrémité interne (250 mm de longueur), qui avait été retirée, sur le joint qui se trouve sur la trémie (5).

Remplacement des filtres primaire et absolu



Lorsque la machine est utilisée pour aspirer des substances dangereuses, les filtres sont contaminés. Par conséquent, il faut :

- *procéder avec prudence pour éviter la dispersion de poussière et / ou de la matière aspirée ;*
- *placer le filtre démonté et / ou remplacé dans un sac imperméable en plastique ;*
- *le refermer hermétiquement ;*
- *éliminer le filtre conformément aux lois en vigueur.*



Le remplacement des filtres ne doit pas être effectué avec imprudence. Il doit être remplacé par un filtre ayant les mêmes caractéristiques, une surface filtrante identique et appartenant à la même catégorie.

Dans le cas contraire, on risque de compromettre le bon fonctionnement de la machine.

Avant d'effectuer ces travaux éteindre la machine et débrancher la fiche de la prise de courant.



Avant d'effectuer ces opérations, nettoyer le filtre comme prévu au paragraphe « Entretien, nettoyage et décontamination ».



Pendant ces entretiens, faire attention à ne pas soulever de poussière. Porter un masque P3, des vêtements et gants de protection (EPI) adaptés à la classe de risque de la poussière aspirée, en se référant à la législation en vigueur.



Remonter avec prudence en prenant garde de ne pas se coincer les mains entre la unité d'aspiration et la cuve. Porter des gants de protection contre les risques mécaniques (EN 388) avec un niveau de protection CAT. II.



Ne pas réutiliser le filtre de classe H une fois qu'il a été démonté de la machine.

Remplacement du filtre primaire pour les machines traitant des poussières dangereuses pour la santé.

Figure 9

Pour remplacer le filtre primaire en toute sécurité, suivre les instructions selon le type de filtre/système de nettoyage installé sur la machine, puis procéder comme suit :

- Mettre le bouchon dans la bouche d'aspiration (4).
- Ouvrir la bande de fermeture (7) et relâcher le boulon de sécurité (6).
- Enlever la tête (8) avec la cage en prenant soin pas soulever le filtre primaire (9).
- Enfiler la sangle (10) autour de la chambre du filtre.
- Placer le sac avec l'élastique sur la chambre du filtre (11). Serrer la sangle de sécurité (12) sur le sac, au-dessus de l'élastique.

- Enfoncer le sac sur toute sa longueur. (13)
- Extraire le filtre étoile (14) en saisissant la bague avec le joint et le soulever jusqu'à ce qu'il soit complètement ôté de la chambre du filtre (15).
- Tourner le sac sur lui-même pour qu'une section du sac enroulé puisse être serrée à l'aide de deux colliers (16). Serrer les deux colliers à une distance de 50 mm l'un de l'autre, puis couper au milieu (16a) selon les indications de la figure.
- Éliminer le filtre ainsi isolé (17) conformément aux lois en vigueur.
- Desserrer la sangle (18) et déplacer délicatement l'élastique (19) du sac vers le bord supérieur de la chambre du filtre.
- Placer le deuxième sac (20) sur le premier (21) et serrer la sangle de sécurité (22) sur le nouveau sac qui vient d'être placé.
- Au travers du nouveau sac (20), retirer délicatement le bout du premier sac (21) du bord de la chambre du filtre.
- Faire coulisser le bout du premier sac (21) vers le fond du deuxième sac (20).
- Tourner le sac (20) sur lui-même pour obtenir une section enroulée et isoler le bout (21) dans le fond du sac (20) à l'aide d'un collier de serrage (23)
- Desserrer et faire coulisser la sangle, enlever délicatement le sac du bord de la chambre du filtre et le jeter conformément aux lois en vigueur.
- Réinitialiser l'aspirateur en insérant un nouveau filtre après l'avoir fixé sur l'anneau grâce à la pince métallique.
- Placer la tête et la cage dans le filtre primaire en veillant à ce qu'il y ait un rayon de la cage toutes les deux encoches du filtre étoile.
- Contrôler la position de la poignée du secoueur de filtre.
- Fixer l'étrier de fermeture.
- Rebloquer le verrou de sécurité (6).

[REMARQUE]

La procédure et les illustrations ci-dessus se réfèrent à des machines équipées d'un système de filtre en étoile. Néanmoins, elles sont également valables et applicables pour les machines avec le système de nettoyage Pullclean et un filtre à cartouche.

Remplacement du filtre absolu à l'aspiration

Figure 10

- Mettre le bouchon dans la bouche d'aspiration.
- Enlever le couvercle (3) du levier du secoueur et dévisser le boulon (4).
- Retirer le levier du secoueur (5) de la tige de cage.

[REMARQUE]

S'il est difficile de retirer le levier du secoueur du filtre, tapoter légèrement la tige de la cage par le haut.



Ne pas appuyer sur le couvercle de la tête.

- Débloquer le verrou de sécurité (6).
- Décrocher l'étrier de fermeture (7).
- Enlever la tête (8) de la tige de cage (9), en faisant attention de ne pas soulever le filtre primaire (10).
- Incliner la tête (8) et la poser sur une surface qui n'abîmera pas le plastique.
- Dévisser l'écrou à œil (11).
- Retirer le disque (12), la rondelle en fer et caoutchouc (13) et le filtre absolu (14).

- Introduire le filtre absolu (14) dans un sac en plastique, le fermer hermétiquement et l'éliminer conformément aux lois en vigueur.
- Introduire un nouveau filtre absolu (14) ayant la même capacité de filtration.
- Reposer la rondelle en fer et caoutchouc (13) et le disque (12), puis serrer l'écrou à œil (11).
- Remonter la tête (8) en l'enfilant sur la tige de cage (9).
- Réinstaller le levier du secoueur du filtre (5) en l'insérant dans la tige de la cage (9) et en le tournant correctement.
- Bloquer le levier avec l'écrou (4), puis remettre le couvercle (3).
- Fixer l'étrier de fermeture (7).
- Rebloquer le verrou de sécurité (6).

Schémas électriques

Figure 13

Sigle	Code	Description	Q.té
Q1..2	4083901814	Interrupteur 2P 20A	1

Remplacement du filtre absolu en aspiration par le système Pullclean (PC)

Figure 11

- Mettre le bouchon dans la bouche d'aspiration.
- Débloquer le verrou de sécurité (6).
- Décrocher l'étrier de fermeture (7).
- Retirer le pont (8).
- Incliner la tête (8) et la poser sur une surface qui n'abîmera pas le plastique.
- Dévisser l'écrou à œil (11).
- Retirer le disque (12), la rondelle en fer et caoutchouc (13) et le filtre absolu (14).
- Introduire le filtre absolu (14) dans un sac en plastique, le fermer hermétiquement et l'éliminer conformément aux lois en vigueur.
- Introduire un nouveau filtre absolu (14) ayant la même capacité de filtration.
- Reposer la rondelle en fer et caoutchouc (13) et le disque (12), puis serrer l'écrou à œil (11).
- Remonter le pont (8).
- Fixer l'étrier de fermeture (7).
- Rebloquer le verrou de sécurité (6).

Contrôle des étanchéités

Contrôle des tuyauteries

Contrôler le bon état et la bonne fixation des tuyaux de raccordement.

Si les tuyaux sont endommagés, cassés ou si les connexions aux raccords sont desserrés, il faut remplacer les tuyaux.

En cas d'aspiration de matières collantes contrôler le long du tuyau, dans la bouche et sur le déflecteur de la chambre de filtration car ils auront tendance à s'obstruer.

Pour le nettoyage, gratter la bouche de l'extérieur pour enlever les dépôts.

Contrôle du joint d'étanchéité de la chambre de filtration pour les machines équipées du système Longopac®

Figure 12

S'assurer de la bonne étanchéité entre le sac Longopac® et le joint (2).









Contrôler également l'étanchéité du joint situé sur le clapet d'évacuation (1).

Si le joint est déchiré, fissuré etc., il faut le remplacer.

Pièces détachées conseillées

Il est recommandé d'avoir toujours à disposition les pièces détachées indiquées ci-dessous pour accélérer les interventions d'entretien.

Pour effectuer une commande, consulter le catalogue des pièces détachées du fabricant.

	Sigle	Modèle
	Kit de filtre étoile	4081701393
	Kit de filtre principal (versions PC)	4081701393
	Joint bague porte-filtre	Z8 17025
	Collier de serrage filtre	4084001291
	Filtre absolu	4081701384
	Longopac	4084000956
	Moteur 1000W	40000938
	Balais pour moteurs 120V 1000W (2 pièces)	40000886

Dépannage

Problème	Cause	Remède
La machine ne démarre pas	Manque de courant	Vérifier s'il y a du courant dans la prise. Vérifier que la fiche et le câble sont en parfait état. Demander l'assistance d'un technicien agréé du fabricant.
Le régime moteur de la machine augmente	Filtre primaire colmaté Tuyau d'aspiration bouché	Actionner le secoueur (pour les modèles à secoueur manuel). Si cela ne suffit pas, le remplacer. Contrôler le tuyau d'aspiration et le nettoyer.
Fuite de poussière de la machine	Le filtre est déchiré Mauvais filtre	Remplacer par un filtre de la même catégorie. Remplacer par un filtre de catégorie adéquate et vérifier.
Moteurs d'aspiration bruyants	Charbons pour moteurs usés ou cassés	Démonter et remplacer les charbons des moteurs.
Électricité statique sur la machine	Mise à la terre manquante ou inefficace	Vérifier toutes les mises à la terre, notamment le raccord à la bouche d'aspiration ; en outre, remplacer le tuyau par un tuyau antistatique.

Garantie

Nilfisk garantit l'équipement contre tout défaut de fabrication ou de matériel pendant une période de deux ans à compter de la date de livraison. Au cas où l'aspirateur ne satisfait pas à ces conditions de garantie, Nilfisk s'engage à rectifier à son gré ces non-conformités sur demande présentée dans les délais impartis, à savoir par la réparation des pièces défectueuses ou par leur remplacement à condition que l'équipement soit renvoyé à un atelier du service après-vente Nilfisk agréé. Dans tous les cas, les frais de transport seront à charge du client. L'appareil ne sera pas renvoyé sans le consentement préalable de Nilfisk.

SAUF SPÉCIFICATIONS CONTRAIRES, NILFISK DÉCLINE TOUTE RESPONSABILITÉ, EXPLICITE OU IMPLICITE, EN CE QUI CONCERNE UNE MATIÈRE QUELCONQUE, Y COMPRIS MAIS SANS LIMITATION, TOUTES LES GARANTIES DE QUALITÉ MARCHANDE, D'APTITUDE À L'EMPLOI OU D'AUTRES GARANTIES, LESQUELLES ÉTANT TOUTES EXPLICITEMENT DÉCLINÉES ET EXCLUES. AUCUNE DES PARTIES NE SERA RESPONSABLE ENVERS L'AUTRE POUR TOUT DOMMAGE DIRECT, INDIRECT, ACCIDENTEL OU CONSÉCUTIF, Y COMPRIS MAIS NON LIMITÉ À LA PERTE DE PRODUCTION, PERTE DE BÉNÉFICE OU TOUT AUTRE PERTE INDIRECTE SIMILAIRE POUVANT SURVENIR SUITE À DES DÉFAUTS, DÉFAILLANCES PARTIELLES OU TOTALES CONCERNANT LE FONCTIONNEMENT DU PRODUIT SELON LES SPÉCIFICATIONS.

La correction des non-conformités ou des défaillances selon la manière et pour la période prévues ci-dessus, équivalra au respect de toutes les responsabilités de Nilfisk à l'égard du client, qu'elle se fonde sur le contrat, sur une négligence ou autre concernant ou provoquée par l'équipement. Les solutions énoncées ci-dessus sont exclusives, et l'incapacité de Nilfisk eu égard à cette vente ou à tout ce qui est fait en rapport à cela, en fonction du contrat, en préjudice, dans le cadre de toute garantie ou autre, ne dépassera pas, sauf indication contraire explicite dans ce document, le prix de l'appareil ou de la pièce sur laquelle se fonde cette responsabilité.

Cette garantie ne couvre pas les réparations dues à l'usure normale, à un accident, une négligence, un mauvais emploi ou un emploi frauduleux, une mauvaise installation ou un autre emploi que ce qui est décrit dans cette notice. Les ruptures de flexibles et de câbles ne sont pas couvertes par cette garantie.

Cette garantie est caduque si le numéro de la plaque signalétique du moteur a été enlevé ou effacé, ou si des réparations ont été faites ou tentées par des personnes non agréées par Nilfisk.

Certains pays ne permettent pas l'exclusion des garanties appliquées ou de limitations de la durée d'une garantie ; dans un tel cas ces exclusions ou ces limitations des garanties ne s'appliquent pas. Certains pays ne permettent pas l'exclusion ou la limitation de dommages accidentels ou consécutifs ; dans un tel cas cette exclusion ou cette limitation de dommages accidentels ou consécutifs ne s'applique pas. Certaines garanties limitées susmentionnées donnent des droits légaux spécifiques.

Le client peut avoir d'autres droits qui varient d'un pays à l'autre.

Índice

Instrucciones de uso	2
Seguridad del usuario	2
Información general para usar la máquina	2
Usos correctos	2
Uso no permitido	2
Recepción y garantía	3
Instrucciones para la solicitud de intervención	3
Exclusiones de responsabilidad	3
Versiones y variantes	3
Recomendaciones generales	3
Riesgos residuales	4
Descripción de la máquina	5
Componentes de la máquina y etiquetas	5
Kits opcionales	5
Accesorios	5
Embalaje y desembalaje	5
Desembalaje, desplazamiento, uso y almacenamiento	5
Kit de elevación (opcional)	6
Empezar a utilizarla: conexión a la fuente de alimentación	6
Cables de extensión	6
Instrucciones para la puesta a tierra	7
Uso con sustancias secas	7
Información técnica	8
Dimensiones	8
Mandos e indicadores	9
Comprobaciones antes de empezar	9
Arranque y parada	9
Parada de emergencia	9
Funcionamiento	9
Mantenimiento, limpieza y descontaminación	10
Limpieza de los filtros	10
Limpieza de la bolsa para el polvo	11
Sustitución de la bolsa para el polvo	11
Desmontaje y sustitución de los filtros primario y absoluto	11
Inspección del hermetismo	13
Esquemas de conexiones	13
Piezas de repuesto recomendadas	14
Resolución de problemas	15
Garantía	16

Instrucciones de uso

Lea las instrucciones de funcionamiento y cumpla las importantes recomendaciones de seguridad, marcadas con la palabra ¡ATENCIÓN!

Seguridad del usuario



¡ATENCIÓN!



Es muy importante que lea estas instrucciones de funcionamiento antes de poner en marcha la máquina y las tenga a mano por si necesitara consultarlas.

Sólo pueden utilizar la máquina aquellas personas que conozcan bien su funcionamiento, hayan recibido la formación adecuada y hayan sido explícitamente autorizadas para este propósito.

Antes de usar la máquina, la persona que vaya a utilizarla debe estar informada y haber recibido las instrucciones y la formación adecuadas sobre el funcionamiento del aparato y sobre las sustancias con las que está permitido su uso, así como el modo correcto de extraer y desechar el material aspirado.



¡ATENCIÓN!

Esta máquina no debe ser utilizada por personas (incluidos los niños) con problemas físicos, con dificultades mentales o con falta de formación, a menos que sean supervisados por personas expertas y que sepan como se utiliza la máquina.

Los niños deben ser supervisados para asegurarse de que no jueguen con la máquina.



¡ATENCIÓN!

Antes de usar la máquina cerciorarse que las condiciones peligrosas para la seguridad hayan sido eliminadas y advertir a los personas de las eventuales irregularidades de funcionamiento.

Cerciorarse que todas las partes y protecciones están puestas y los dispositivos de seguridad presentes y activos.

Todas las reparaciones se deberán efectuar siempre con la máquina detenida, desconectada de la alimentación eléctrica. No realizar reparaciones sin haber recibido primero la correspondiente autorización.



¡ATENCIÓN!

Cualquier cambio hecho por el usuario sin autorización explícita del fabricante tendría que invalidar la garantía y eximir de toda responsabilidad el fabricante por los daños causados por los productos defectuosos.

Información general para usar la máquina

El uso de la máquina está regido por la legislación vigente del país en el cual se utiliza.

También deben respetarse las normativas técnicas sobre seguridad y uso correcto (legislación referente a la seguridad medioambiental y en el trabajo, es decir, la Directiva de la Unión Europea 89/391/CE y sucesivas directivas), así como las instrucciones de uso y la legislación vigente en el país en el cual se utilice el aparato.

No realice ninguna operación que pueda poner en peligro la seguridad de las personas, la propiedad o el medioambiente.

Siga las indicaciones de seguridad que se especifican en este manual de instrucciones.

Usos correctos

Esta máquina es adecuada para su uso comercial; por ejemplo, en hoteles, escuelas, hospitales, fábricas, establecimientos, oficinas y residencias. También es adecuada para alquilarla y para distintas aplicaciones, salvo para el uso doméstico normal.

Esta máquina es adecuada para la limpieza y la aspiración de materiales sólidos en exteriores e interiores.

La máquina ha sido diseñada para que no la utilice más de una persona a la vez.

La máquina está formada por una unidad de aspiración, con una unidad filtro de aspiración y un contenedor para recoger el material aspirado.

Uso no permitido



¡ATENCIÓN!

Se prohíbe terminantemente utilizar el aparato de las siguientes formas:

- *En lugares abiertos en caso de precipitaciones atmosféricas.*
- *Cuando no está posicionado en superficies llanas y horizontales.*
- *Cuando la unidad de filtración no está instalada.*
- *Cuando la boca de aspiración y/o el tubo de aspiración están dirigidos hacia partes de la cara del cuerpo humano.*
- *Uso sin la tapadera en la unidad de aspiración.*
- *Cuando el contenedor de polvo no está instalado.*
- *Uso sin las protecciones, las cubiertas protectoras y los sistemas de seguridad instalados por el fabricante.*
- *Cuando las bocas de refrigeración están parcialmente o totalmente obstruidas.*
- *Cuando la máquina está protegida por una tela de plástico o de otro material.*
- *Uso con la toma de salida aire parcial o totalmente cerrada.*
- *En espacios estrechos sin recambio de aire.*



¡ATENCIÓN!

Se prohíbe terminantemente utilizar el aparato de las siguientes formas:

- **Cuando el cable o enchufe está dañado. Si el aparato no funciona correctamente, está dañado, quedado al exterior o bañado, llevarlo a un Centro de asistencia autorizado.**
- **Aspirar líquidos con máquinas no equipadas con los sistemas de detención originales específicos.**
- **No tire o transporte la máquina por el cable, no use el cable de alimentación como empuñadura, no cierre el cable en una puerta y no lo tire sobre bordes o ángulos afilados. No atropelle el cable del cargador de baterías con la máquina. Tenga el cable lejos de superficies calientes.**
- **Aspirar los siguientes elementos:**
 1. **Materiales ardiendo (ascuas, cenizas calientes, cigarrillos encendidos, etc.).**
 2. **Llamas libres.**
 3. **Gases combustibles.**
 4. **Líquidos inflamables, combustibles agresivos (gasolina, disolventes, ácidos, soluciones alcalinas, etc.).**
 5. **Polvo/substancias de materiales explosivos y/o que puedan inflamarse fácilmente de forma espontánea (como el polvo de magnesio, de aluminio, etc.).**

Nota: El uso doloso no está admitido.

Recepción y garantía

- **Recepción**
Con cada máquina se efectúa una recepción final relativa al funcionamiento y a las prestaciones. Todo ello para garantizar el máximo rendimiento durante el trabajo que deberá realizar.
- **Garantía**
La cláusula de la garantía está especificada en el contrato.

Instrucciones para la solicitud de intervención

En caso de funcionamiento anómalo o daños por los que sea necesaria la intervención de técnicos especialistas, póngase en contacto con el Fabricante o con el Centro de Asistencia Post-Venta más cercano.

Exclusiones de responsabilidad

La entrega de esta máquina al usuario fue efectuada según las condiciones válidas en el momento de compra. Por ninguna razón, y en ningún momento, el usuario estará autorizado a alterar la máquina. Póngase en contacto con su Centro de Asistencia Post-venta en el caso de producirse fallos. Todo tentativo de desmontar, modificar o de intervención en general no autorizada sobre cualquier componente de la máquina por parte del usuario o por parte de personal no autorizado invalidará la garantía y eximirá el fabricante de toda responsabilidad frente a eventuales daños a las personas o a las cosas causados por dichas intervenciones.

El constructor también quedará exonerado de responsabilidad en los siguientes casos:

- Instalación incorrecta.
- Uso incorrecto de la máquina por parte de personal sin la formación adecuada.
- Utilización contraria a las estipulaciones vigentes en el país de uso.
- Mantenimiento incorrecto o insuficiente.
- Uso de piezas de recambio no originales o uso de recambios que no hayan sido específicamente fabricados para el modelo en cuestión.
- Incumplimiento total o parcial de las instrucciones.
- Ningún envío del certificado de garantía.
- Eventos ambientales excepcionales.

Versiones y variantes

Versiones para polvos nocivos para la salud (L-M-H)

Los aparatos para polvos nocivos para la salud se clasifican, de acuerdo con la norma UL/CSA 60335-2-69 - An. AA, según las diferentes clases de polvo:

- **L** (bajo riesgo) se pueden utilizar para separar el polvo con un valor límite de exposición superior a 1 mg/m³, según el volumen ocupado; retiene por lo menos el 99% de las partículas aspiradas;
- **M** (riesgo medio) se pueden utilizar para separar el polvo con un valor límite de exposición no inferior a 0,1 mg/m³, retiene por lo menos el 99,9% de las partículas aspiradas;
- **H** (alto riesgo) para separar todos los polvos con un valor límite de exposición inferior a 0,1 mg/m³, según el volumen ocupado, incluidos los polvos carcinógenos y patógenos, como los amiantos; retiene al menos el 99,995 % de las partículas aspiradas.

[NOTA]

- *En el caso de polvo nocivo para la salud, póngase en contacto con las autoridades sanitarias y de seguridad locales y respete las normas nacionales vigentes a la hora de utilizar y desechar el aparato.*
- *Las sustancias radioactivas no se incluyen en la definición de tipos de polvo nocivos para la salud descrita anteriormente.*

[NOTA]

Las máquinas diseñadas para recoger serrín y polvo mineral que contenga cuarzo deberán ser de clase M como mínimo.

Recomendaciones generales



¡ATENCIÓN!

En caso de emergencia:

- **por ejemplo, accidente - fallo - rotura de filtro - incendio - etc.**
- Desconectar la máquina de la alimentación y pedir asistencia a personal cualificado.**
- En caso de que el usuario entre en contacto con el producto aspirado, lea las precauciones que aparecen en la hoja técnica de seguridad del producto, que el empleador deberá poner a disposición.**

[NOTA]



Estos aparatos no se pueden usar en ambientes corrosivos.

Riesgos residuales



Tras considerar atentamente los riesgos presentes en todas las fases de funcionamiento de la máquina, se adoptaron medidas necesarias para eliminar los riesgos para los operadores, en la medida de lo posible, y/o limitar los riesgos derivados de la presencia de peligros que no pueden ser completamente eliminados a la fuente.

Durante el funcionamiento y/o el mantenimiento, los operadores están expuestos a algunos riesgos residuales que, debido a la naturaleza de las propias operaciones, no pueden ser eliminados completamente. Por lo tanto, el instalador es responsable de proporcionar información adicional y/o señales de peligro basados en la ubicación de instalación de la máquina y del material que se maneja.



Riesgos debidos a peligros eléctricos durante el mantenimiento.

 **PELIGRO** 

Riesgo de electrocución si se accede a los equipos eléctricos durante el mantenimiento sin haber desactivado la alimentación de energía eléctrica.

 **PROHIBIDO** 

Está prohibido trabajar en los equipos eléctricos antes de desconectar la máquina o sus piezas de la línea eléctrica.

 **OBLIGATORIO** 

Las operaciones de mantenimiento eléctricos tienen que ser realizadas por personal cualificado. Realizar los controles en el equipo eléctrico como se indica en el manual.

Riesgo de presencia de alta temperatura residual después de haber apagado la unidad de aspiración.

Durante las operaciones de mantenimiento y limpieza, el operador puede entrar en contacto, con la máquina parada, con partes de la unidad de aspiración con superficies a altas temperaturas. Señales de advertencia específicos situados en puntos estratégicos indican el peligro debido a la presencia de superficies calientes y la obligación para el usuario de llevar equipo de protección personal, en particular los guantes protectores.

Los posibles puntos calientes (altas temperaturas) se identifican como sigue:

ES

	ES OBLIGATORIO USAR GUANTES
	ATENCIÓN PELIGROSA TEMPERATURAS

Descripción de la máquina

Componentes de la máquina y etiquetas

Figura 1

1. Placa identificativa:
Model code, serial number, NRTL marking, year of manufacture, weight (kg)
2. Sistema de recogida de material aspirado
3. Boca de aspiración
4. Tapón para cerrar el lado del contenedor
5. Salida de aire
6. Sistema de bloqueo de ruedas
7. Empuñadura
8. Palanca de la cinta de cierre
9. Perno de seguridad
10. Etiqueta de advertencia para aspiradoras de clase L - M - H
11. Sistema de limpieza del filtro primario
12. Para conectar la aspiradora, enchúfela a una toma eléctrica.

Esta máquina crea una potente corriente de aire que entra a través de la boca de aspiración y sale por la toma de salida.

Antes de poner en marcha la máquina, ensamble el tubo de aspiración en la boca de aspiración y, a continuación, añada la herramienta que necesite en el extremo (consulte el catálogo de accesorios del fabricante o póngase en contacto con el Centro de Mantenimiento).

Los diámetros de los tubos autorizados se detallan en la tabla de Información técnica.

La máquina está equipada de un filtro primario que se puede utilizar para la mayoría de aplicaciones.

Además del filtro primario que retiene el polvo más común, también hay un filtro secundario (filtro absoluto).

Esta máquina está equipada con una placa deflectora interna que somete las sustancias aspiradas a un movimiento centrífugo circular, haciéndolas caer en la bolsa de polvo.

Figura 2

Los aparatos para polvos nocivos para la salud y/o para polvos combustibles se clasifican, de acuerdo con la norma UL/CSA 60335-2-69 - An. AA, según las diferentes clases de polvo:

1. Etiqueta clase H
- 2.

La etiqueta de la clase H contiene el siguiente texto.



¡ATENCIÓN!



Esta aspiradora contiene polvo peligroso para la salud.

Solo personal autorizado, equipado con el debido equipo de protección personal, debería vaciar y realizar el mantenimiento de la máquina, incluyendo la retirada de los medios utilizados para aspirar el polvo. No utilice el aparato si el sistema de filtrado completo no está instalado.

Kits opcionales

Hay varios kits opcionales a su disposición para modificar la máquina.

La máquina puede suministrarse con kits opcionales ya instalados, previa petición. No obstante, pueden también instalarse con posterioridad.

Si desea obtener más información, póngase en contacto con la red de ventas.

Las instrucciones que describen cómo instalar los kits opcionales y los manuales de uso y de mantenimiento relacionados se incluyen en los kits opcionales.



¡ATENCIÓN!

Utilice solamente piezas de repuesto originales proporcionadas y autorizadas por el fabricante.

Accesorios

Hay distintos accesorios disponibles. Si desea más información, consulte el catálogo de accesorios del fabricante.



¡ATENCIÓN!

Utilice solamente accesorios originales proporcionados y autorizados por el fabricante.

Embalaje y desembalaje

Antes de su entrega al contratista de transporte, todo el equipo expedido habrá pasado por una exhaustiva verificación.

Al recibir la máquina, comprobar que no haya daños producidos durante el transporte. En caso de daños reclamar al transportista.

Elimine los materiales de embalaje de conformidad con la normativa vigente.

Figura 3

Modelo	A (in)	B (in)	C (in)	lb (*)
SP102Nx	27.5	31.5	69	220

(*) Peso con el embalaje

Desembalaje, desplazamiento, uso y almacenamiento

Para desembalar la unidad de aspiración, retire los retenedores con un martillo y un destornillador.

Retire también los dispositivos de fijación colocados por el fabricante al embalar, utilizando las herramientas adecuadas. Suelte los frenos de las ruedas y retire la máquina de la plataforma de apoyo, utilizando una rampa que pueda proporcionar la capacidad adecuada, y llevando la aspiradora por el mango.

Trabaje en superficies planas y horizontales.

La capacidad de carga de la superficie en la que se coloque la máquina debe ser capaz de soportar su peso.

Si el aparato va a utilizarse en posición fija, deje un amplio espacio a su alrededor para asegurar libertad de movimiento y facilitar que el personal de mantenimiento trabaje con facilidad.

ES

Kit de elevación (opcional)

Figura 4

Si ha comprado el kit opcional de elevación de la máquina, asegure las correas suministradas y el gancho de retención correspondiente a los ojales de elevación (1) en el bastidor y proceda con las operaciones de manipulación de la máquina. Asegúrese de que no haya material aspirado dentro de la aspiradora y que el filtro esté limpio según las instrucciones indicadas en el párrafo «Mantenimiento, limpieza y descontaminación».



Utilice un sistema de elevación adecuado para el peso de la máquina indicado en la placa correspondiente.



Eleve la máquina lentamente a poca distancia del suelo para asegurarse de que esté estable.



Durante los traslados, mantenga la carga lo más baja posible para garantizar una mayor visibilidad y estabilidad, y para operar de forma segura.



El fabricante no se hará responsable por cualquier daño causado a la máquina durante el proceso de elevación si no se usa el equipo de elevación suministrado por el fabricante.

Empezar a utilizarla: conexión a la fuente de alimentación



- **Antes de empezar a trabajar, asegúrese de que no hay signos de daños evidentes en la máquina.**
- **Antes de conectar la máquina a la red eléctrica, asegúrese de que la tensión límite indicada en la placa de datos se corresponde con la de la red eléctrica.**
- **Conecte el enchufe en la toma de corriente mediante una conexión con toma de tierra correctamente instalada. Compruebe que la máquina esté apagada.**
- **Los enchufes y conectores de los cables de conexión deben estar protegidos contra las salpicaduras de agua.**
- **Controle la correcta conexión a la red eléctrica.**
- **Utilice las máquinas sólo cuando los cables de conexión a la red eléctrica estén en perfecto estado (unos cables dañados podrían ser causa de descargas eléctricas).**
- **Compruebe periódicamente que el cable eléctrico no muestre signos de excesivo daño, desgaste, rajaduras o envejecimiento.**



- **Cuando el aparato está en funcionamiento, evite pisar, aplastar, tirar o dañar el cable que se conecta a la red de alimentación eléctrica.**
- **Cuando el aparato está en funcionamiento, evite desconectar el cable de la red de alimentación eléctrica tirando del enchufe (no tire del cable).**
- **Si tiene que sustituir el cable, utilice otro del mismo tipo que el original: H07 RN-F. Actúe de la misma forma cuando utilice un cable de extensión.**
- **El cable debe ser sustituido por el personal del Centro de Servicio del fabricante o personal cualificado equivalente.**

Los responsables de la seguridad de las instalaciones deben garantizar que:

- Prevenir cualquier uso impropio o maniobra.
- Asegurarse que los dispositivos de seguridad no se hayan eliminado ni falsificados.
- Controlar que todas las operaciones de mantenimiento se hayan realizado con regularidad;
- Asegurarse que ninguna parte de la máquina (acoplamientos, orificios, etc.) se haya modificado para acoplar dispositivos adicionales;
- Asegurarse que se utilicen solo repuestos originales Nilfisk.

NOTA

El usuario es responsable de que la instalación cumpla con todas las disposiciones locales pertinentes. El aparato debe ser instalado por personal cualificado que haya leído y comprendido las informaciones de este manual.

Cables de extensión

En caso de que utilice un cable de extensión, asegúrese de que sea adecuado para la alimentación y el grado de protección de la máquina.

Potencia máxima (kW)	3
Sección mínima (mm ²)	16
Longitud máxima (m)	785
Cable	SJT



Las tomas de corriente, los enchufes, los sujeta-cables, los conectores e instalación del cable de extensión deben mantener el grado de protección IP de la máquina, como se indica en la placa identificativa.



La toma de corriente a la que se conecte la máquina debe estar protegida por un disyuntor con limitación para sobretensión, que interrumpa el suministro eléctrico si la corriente que va a tierra excede de 30 mA para 30 milisegundos, o por un circuito de protección equivalente.



No rocíe la máquina con agua, si lo hace, será un peligro para las personas expuestas y podría producirse un cortocircuito en la corriente eléctrica.

Instrucciones para la puesta a tierra

Este aparato debe tener una conexión de tierra. En caso de averías, la conexión de tierra reduce el riesgo de electrochoque al proporcionar un alambre de escape para la corriente eléctrica. Este dispositivo está equipado con un cable con conductor de puesta a tierra y un enchufe de puesta a tierra. El enchufe debe insertarse en una toma de corriente adecuada, correctamente instalada y con toma de tierra, de conformidad con todas las normativas y ordenanzas locales.



La conexión incorrecta del conductor de puesta a tierra del equipo puede provocar un riesgo de descarga eléctrica. En caso de duda sobre la correcta puesta a tierra de la toma de corriente, contacte con un técnico o técnico cualificado. No modifique el enchufe suministrado con el dispositivo si no encaja en el enchufe; encargue a un electricista cualificado la instalación de una toma de corriente adecuada.

Uso con sustancias secas

[NOTA]

Los filtros y la bolsa (si procede) deben estar correctamente instalados.



Siga las indicaciones de seguridad relativas a los materiales que se deben aspirar.

Información técnica

Parámetro	Unidades de medida	SP102N1
Voltaje (@60Hz)	V	120
Nivel de potencia	kW	2.00
Corriente	A	17.3
Aspiración máx.	in h2o	83
Caudal máximo de aire (tubo de 118 in Ø 2 in)	cfm	165
Nivel de presión acústica (Lpf) (*)	dB(A)	74
Vibración, ah (**)	m/s2	≤2.5
Protección	IP	44
Aislamiento	Class	I
Boca de aspiración (diámetro)	in	2
Tubos admitidos	in	1.5 / 2
Superficie del filtro primario	Sq. ft	17
Superficie del filtro absoluto de aspiración	Sq. ft	17
Eficiencia del filtro absoluto	%	99,995 (H14)

(*) Incertidumbre de medición KpA <1,5 dB(A). Valores de emisión de ruido obtenidos según UL/CSA 60335-2-69

(**) Valor total de vibraciones emitidas al brazo y a la mano del operador

Dimensiones

Figura 5

Modelo	SP102N1
A (in)	33
B (in)	24
C (in)	51
Peso (lb)	154

[NOTA]

- *Condiciones de almacenamiento:*
Temperatura: -10°C ÷ +40°C
Humedad: ≤ 85%
- *Condiciones de funcionamiento:*
Altitud máxima: 800 m
(Hasta 2.000 m con rendimiento reducido)
Temperatura: -10°C ÷ +40°C
Humedad: ≤ 85%

Mandos e indicadores

Figura 6

1. **Botón de arranque/parada del primer y segundo motor e indicador**
Utilice el botón para arrancar/parar el primer motor. Si el indicador está iluminado, el motor principal está encendido.
2. **Vacuómetro**
3. **Indicador de filtro obstruido**
4. **Sistema manual de limpieza de filtros**

Comprobaciones antes de empezar

Antes de empezar, compruebe que:

- Los filtros están instalados.
- La cinta de cierre esté correctamente apretada.
- El tubo de aspiración y las herramientas están acoplados correctamente a la boca de aspiración.
- La bolsa de polvo está presente.



No utilice el aparato si los filtro están defectuosos.

Arranque y parada

Figura 6



Antes de poner en marcha la máquina, bloquee los frenos ruedecillas

- Gire el botón (1) en la posición «I» para poner en marcha el primer motor.
- Gire el botón (1) en la posición «I» para poner en marcha el segundo motor.
- Gire el botón (1) en la posición «0» para parar el primer motor.
- Gire el botón (1) en la posición «0» para parar el segundo motor.

Parada de emergencia

Figura 6

Pulse los botones (1) para que estén en la posición «0». La aspiradora se detiene.



Los motores y los componentes internos de la aspiradora recibirán corriente eléctrica.

Funcionamiento

Figura 7

Vacuómetro (2): zona verde (3), zona roja (1)

Al utilizar la máquina, compruebe el control de la corriente:

- cuando la máquina esté funcionando, la aguja del vacuómetro debe permanecer en la zona verde (3) para asegurarse que la velocidad del aire de admisión no esté funcionando por debajo del límite de seguridad de 20 m/seg;
- Si está en la zona roja (1) y el indicador de filtro obstruido está encendida, significa que la velocidad del aire en el tubo de aspiración es inferior a 20 m/s y la aspiradora no funciona correctamente. Sacuda o sustituya los filtros.
- en las normales condiciones de funcionamiento, cierre el tubo de aspiración, la aguja del vacuómetro debe desplazarse de la zona verde (3) hasta la zona roja (1).



La velocidad del aire en el tubo de aspiración no debe ser inferior a 20 m/s. Estado indicado por el indicador del vacuómetro en la zona verde (3) y por el indicador de filtro obstruido apagada.



Todas las máquinas se pueden usar solo con tubos de diámetros conforme a las especificaciones indicadas en la tabla de «Información técnica».



Si hubiera algún fallo, consulte el capítulo de «Solución de problemas».

Al final de la sesión de limpieza

- Apague la máquina y desconecte el enchufe de la toma de corriente.
- Enrolle el cable de conexión.
- Vacíe el contenedor y limpie la máquina como se detalla en el párrafo «Mantenimiento, limpieza y descontaminación».
- Si ha aspirado sustancias agresivas, lave el contenedor con agua limpia.
- Guarde la máquina en un lugar seco, fuera del alcance de personal no autorizado.
- Bloquee los frenos de las ruedecillas.
- Durante el transporte y cuando no se utiliza la máquina, cierre la boca de aspiración con el tapón correspondiente (si proporcionado).

Mantenimiento, limpieza y descontaminación



¡ATENCIÓN!

Desconecte la máquina de su toma de alimentación antes de su limpieza, mantenimiento, sustitución de piezas o su conversión a otra versión/variante.

- **Realice sólo las operaciones de mantenimiento descritas en este manual.**
- **Utilice sólo piezas de repuesto originales.**
- **No modifique la máquina.**

El incumplimiento de estas instrucciones podría poner en peligro su seguridad. Además, dejaría inmediatamente sin efecto la declaración de conformidad/incorporación CE emitida con el máquina.



¡ATENCIÓN!

Para las tareas de mantenimiento no descritas en este manual, póngase en contacto con el soporte técnico del fabricante o con la red de ventas.



¡ATENCIÓN!

Para garantizar el nivel de seguridad de la máquina, sólo debería utilizar las piezas de repuesto originales suministradas por el fabricante.



¡ATENCIÓN!

Las precauciones que se describen a continuación deben respetarse durante las operaciones de mantenimiento, incluidas la limpieza o sustitución de los filtros primario y absoluto.



¡ATENCIÓN!

Esta máquina Clase H puede aspirar polvo nocivo para la salud. Las tareas de mantenimiento y vaciado de la máquina, incluyendo la extracción de la bolsa de polvo, deben ser efectuadas únicamente por personal especializado y equipado con indumentaria protectora. No utilice el aparato si el sistema de filtrado completo no está instalado.



¡ATENCIÓN!

En las máquinas de clase H, concretamente, la eficacia de los filtros debe comprobarse al menos una vez al año, o con más frecuencia si así lo establece la legislación nacional. El método de prueba para verificar la eficiencia de filtrado de la máquina se indica en la norma UL/CSA 60335-2-69, apa. 22.AA.201.2. En caso de no pasar la prueba, deberá repetirse después de cambiar el filtro de clase H.

- Para que el usuario pueda realizar las operaciones de mantenimiento, la máquina deberá estar desmontada, limpia y revisada, en la medida de lo razonable, sin que represente un peligro para el personal de mantenimiento ni para otras personas. Para cumplir las precauciones correctas deberá descontaminar la máquina antes del desmontaje, ventilar el aire de escape mediante filtros y de forma apropiada de la habitación en la que se haya desmontado y limpiar la zona de mantenimiento para proteger al personal.
- Las partes externas de la máquina deberán ser descontaminadas con distintos métodos de limpieza y aspiración. Asimismo, antes de colocarlas fuera de la zona de peligro, se deberá eliminar el polvo o tratar dichas partes con material de sellado.
- Cuando se quiten de la zona de peligro, todas las partes de la máquina se considerarán contaminadas y será necesario llevar a cabo las operaciones apropiadas para prevenir que el polvo se esparza.
- Una vez realizado el procedimiento de mantenimiento o reparación, hay que desechar todos los elementos contaminados que no se puedan limpiar correctamente. Estos elementos se deben desechar en bolsas selladas, según la normativa aplicable y de acuerdo con la legislación local sobre el desecho de estos materiales. Este procedimiento debe seguirse también cuando se eliminan los filtros (filtros primario y absoluto).
- Los compartimentos que no sean herméticos deben ser abiertos con las herramientas adecuadas (destornilladores, llaves inglesas, etc.) y limpiados en profundidad.
- El fabricante o su personal técnico deben realizar una inspección al menos una vez al año. Por ejemplo: Verifique los filtros de aire y compruebe que las características herméticas de la máquina no hayan sufrido ningún daño. Corrobore que el panel de control eléctrico funciona correctamente.

Limpieza de los filtros

Limpieza del filtro primario con sistema manual

Dependiendo de la cantidad de material aspirado, si el indicador del vacuómetro (2, Fig. 7) se mueve de la zona verde (3, Fig. 7) a la roja (1, Fig. 7) y cuando se enciende el indicador de filtro obstruido (3, Fig. 6), agite el filtro primario accionando la palanca (4, Fig. 6), girándola en sentido horario/antihorario alternativamente durante al menos 5 ciclos completos.



¡ATENCIÓN!

Detenga la máquina antes de utilizar el agitador de filtro. No sacuda el filtro cuando la máquina esté encendida, ya que esto podría dañar dicho filtro.

Espera unos instantes antes de volver a encender la máquina para que el polvo se asiente en el fondo del contenedor. Sustituya el elemento del filtro, si el indicador está rojo, aún después de haber sacudido el filtro, (consulte el apartado «Desmontaje y sustitución de los filtros primario y absoluto»).

[NOTA]

Si el indicador está aún en la zona roja. El tubo de aspiración o uno de los accesorios puede estar obstruido, y no el filtro. Limpiar estas piezas si este es el caso.

Limpeza del filtro primario con el sistema Pullclean (PC)

Dependiendo de la cantidad de material aspirado, si el indicador del vacuómetro (2, Fig. 7) se mueve de la zona verde (3, Fig. 7) a la roja (1, Fig. 7) y cuando se encienda el indicador de filtro obstruido (3, Fig. 6), limpie el filtro primario cerrando la boquilla de entrada (3, Fig. 1) y abriendo la solapa del sistema PullClean (11, Fig. 1), repita la operación 3 o 4 veces durante 1 o 2 segundos cada vez.

¡ATENCIÓN!

Realice este procedimiento con la máquina en función.

Espere unos instantes antes de volver a encender la máquina para que el polvo se asiente en el fondo del contenedor.

Sustituya el elemento del filtro, si el indicador está rojo, aún después de haber sacudido el filtro, (consulte el apartado «Desmontaje y sustitución de los filtros primario y absoluto»).

[NOTA]

Si el indicador está aún en la zona roja. El tubo de aspiración o uno de los accesorios puede estar obstruido, y no el filtro. Limpiar estas piezas si este es el caso.

Limpeza de la bolsa para el polvo

Bolsa Longopac® para recogida de polvo

Figura 8

La máquina está equipada con una bolsa para el polvo. En este caso, el material se descarga por gravedad cuando la aspiradora se detiene. La bolsa Longopac® se puede cortar, sellar o cerrar al tamaño requerido.

Si la bolsa no está instalada correctamente, podría ocasionar riesgos de salud para las personas expuestas.

Sustitución de la bolsa para el polvo

¡ATENCIÓN!

- **Antes de realizar estas operaciones, apague la máquina y quite el enchufe de la toma de corriente.**
- **Sólo podrán llevar a cabo estas operaciones personal cualificado con una indumentaria adecuada y que cumplan con la legislación vigente.**
- **En caso de polvo peligroso y/o nocivo, usar solo bolsas aprobadas por el fabricante (véase «Recambios recomendados»).**
- **Sólo el personal cualificado podrá desechar la bolsa de conformidad con la legislación vigente.**
- **Utilice sólo bolsas originales Nilfisk.**
- **Utilice solo bolsas adecuadas para la clase de máquina que está utilizando.**

¡ATENCIÓN!

Intente no levantar polvo durante esta operación. Utilice una máscara de protección con filtro P3 e indumentaria protectora, además de guantes protectores (PPE) apropiados para el tipo de polvo peligroso que se haya recogido, según la legislación vigente.

Cómo sustituir el Longopac® para máquinas que manipulan polvos peligrosos para la salud.

Figura 8

- Prepare el soporte de la bolsa con la parte interior hacia arriba e inserte el Longopac® dentro de la ranura en él. Quite el extremo interior del Longopac® por lo menos de 250 mm, coloque la correa alrededor del soporte, como se muestra en la figura, apriétela dejando libre la parte en exceso del extremo interior que se quitó anteriormente. Disponga adecuadamente el exceso de Longopac® dentro de la ranura (1).
- Salga del extremo exterior (2) del Longopac®, gire hacia abajo y ciérrela con la banda adecuada (3).
- Acercar el soporte de la bolsa para colocarlo bajo el cono de la tolva, inserte las clavijas en las ranuras y girar el sistema para que se bloquee en el cilindro superior (4).
- Tire hacia abajo de la bolsa cerrada por la cinta y póngala en la bandeja. Luego, por medio del segundo cinturón suministrado, fije el extremo interior (250 mm), que se quitó anteriormente, por encima de la guarnición en la tolva (5).

Desmontaje y sustitución de los filtros primario y absoluto

¡ATENCIÓN!

Cuando se utilice la máquina para aspirar sustancias peligrosas, los filtros se contaminarán. Por tanto:

- **Trabaje cuidadosamente e intente no derramar el polvo y/o material aspirado;**
- **coloque el filtro desmontado y/o sustituido en una bolsa de plástico sellada;**
- **cierre la bolsa herméticamente;**
- **deseche el filtro según la legislación vigente.**

¡ATENCIÓN!

La sustitución del filtro es un asunto muy importante. El filtro debe ser sustituido por otro con idénticas características, superficie de filtración y categoría. De no ser así, la máquina no funcionará correctamente. Antes de realizar estas operaciones, apague la máquina y quite el enchufe de la toma de corriente.

¡ATENCIÓN!

Antes de realizar estas operaciones, limpie el filtro como se detalla en el apartado «Mantenimiento, limpieza y descontaminación».



¡ATENCIÓN!

Intente no levantar polvo durante esta operación. Utilice una máscara de protección con filtro P3 e indumentaria protectora, además de guantes protectores (PPE) apropiados para el tipo de polvo peligroso que se haya recogido, según la legislación vigente.



¡ATENCIÓN!

Vuelva a armar todo con cuidado para evitar atraparse las manos entre la unidad de aspiración y el contenedor. Utilice guantes que le protejan de los riesgos mecánicos (EN 388) con un nivel de protección CAT. II.



¡ATENCIÓN!

No vuelva a utilizar el filtro de clase H después de haberlo quitado de la máquina.

Sustitución filtro primario, para máquinas que manipulan polvos peligrosos para la salud.

Figura 9

Para sustituir el filtro primario de forma segura, siga las instrucciones según el tipo de filtro/sistema de limpieza instalado en la máquina, y proceda de la siguiente manera:

- Coloque la el tapón en la boca de aspiración (4).
- Abra la cinta de cierre (7) y suelte el perno de seguridad (6).
- Quite el cabezal (8) junto con la jaula, teniendo cuidado de no levantar el filtro primario (9).
- Coloque la cinta (10) alrededor de la cámara del filtro.
- Coloque la bolsa con la cinta elástica en la cámara del filtro (11). Apriete la cinta de seguridad (12) en la bolsa, sobre el elástico.
- Doble la bolsa por toda su longitud. (13)
- Quite el filtro de estrella (14) sujetando el anillo con la guarnición y levántelo hasta que esté completamente fuera de la cámara del filtro (15).
- Gire la bolsa sobre sí misma para obtener una sección de bolsas en espiral y apretarla con dos abrazaderas (16). Coloque las dos abrazaderas a una distancia de 50 mm una de la otra, luego corte en el medio (16a) como se muestra en la figura.
- Deseche el filtro (17) según la legislación vigente.
- Suelte la cinta (18) y con cuidado desplace el elástico (19) de la bolsa hacia el borde superior de la cámara del filtro.
- Coloque la segunda bolsa (20) sobre de la primera bolsa (21) y cierre la cinta de seguridad (22) sobre la nueva bolsa.
- A través de la nueva bolsa (20) quite con cuidado la parte de primera bolsa (21) desde el borde de la cámara del filtro.
- Lleve esta parte de bolsa (21) hacia el fondo de la segunda bolsa (20).
- Gire la bolsa (20) sobre sí misma para obtener una sección de bolsas y cierre la parte de primera bolsa (21) en el fondo de la bolsa (20) apretando la abrazadera (23)
- Afloje y retire la cinta, retire con cuidado la bolsa desde el borde de la cámara del filtro y deséchela según la legislación vigente.
- Reajuste el aspirador introduciendo un filtro nuevo después de fijarlo en el anillo con la abrazadera metálica.
- Instale el cabezal y la jaula en el filtro primario teniendo cuidado que haya un rayo de la jaula cada dos cavidades del filtro de estrella.

- Controle la posición correcta de la empuñadura del agitador de filtro.
- Fije la cinta de cierre.
- Vuelva a apretar el perno de seguridad (6).

[NOTA]

El procedimiento y las ilustraciones anteriores se refieren a máquinas equipadas con un sistema de filtro de estrella. Sin embargo, también son válidos y aplicables para máquinas con el sistema de limpieza Pullclean y un filtro de cartucho.

Sustitución del filtro absoluto de aspiración

Figura 10

- Coloque la el tapón en la boca de aspiración.
- Quite la tapa (3) de la palanca del agitador de filtro y desenrosque la tuerca (4).
- Quite la palanca del agitador de filtro (5) del vástago de la jaula.

[NOTA]

Si es difícil quitar la palanca del agitador del filtro, golpee ligeramente el vástago de la jaula desde la parte superior.



¡ATENCIÓN!

No ejerza presión excesiva en la tapa del cabezal.

- Suelte el perno de seguridad (6).
- Suelte la cinta de cierre (7).
- Quite el cabezal (8) del vástago de la jaula (9), pero no levante el filtro primario (10).
- Incline el cabezal (8) y déjelo en una superficie adecuada, para no estropear el plástico.
- Desenrosque la anilla de la tuerca (11).
- Quite el disco (12), la arandela de hierro y goma (13) y el filtro absoluto (14).
- Guarde el filtro absoluto (14) en una bolsa de plástico, cierre la bolsa herméticamente y deseche el filtro según la legislación vigente.
- Introduzca un nuevo filtro absoluto (14) con las mismas características de filtración del filtro quitado.
- Instale la arandela de hierro y goma (13) y el disco (12), luego apriete la anilla de la tuerca (11).
- Reinstale el cabezal (8) colocándolo en el vástago de la jaula (9).
- Vuelva a instalar la palanca del agitador de filtro (5) introduciéndola en el vástago de la jaula (9) y girándola adecuadamente.
- Fije la palanca con la tuerca (4), luego vuelva a instalar la tapa (3).
- Fije la cinta de cierre (7).
- Vuelva a apretar el perno de seguridad (6).

Sustitución del filtro absoluto en aspiración con sistema Pullclean (PC)

Figura 11

- Coloque la el tapón en la boca de aspiración.
- Suelte el perno de seguridad (6).
- Suelte la cinta de cierre (7).
- Retire el cabezal (8).
- Incline el cabezal (8) y déjelo en una superficie adecuada, para no estropear el plástico.
- Desenrosque la anilla de la tuerca (11).
- Quite el disco (12), la arandela de hierro y goma (13) y el filtro absoluto (14).

- Guarde el filtro absoluto (14) en una bolsa de plástico, cierre la bolsa herméticamente y deseche el filtro según la legislación vigente.
- Introduzca un nuevo filtro absoluto (14) con las mismas características de filtración del filtro quitado.
- Instale la arandela de hierro y goma (13) y el disco (12), luego apriete la anilla de la tuerca (11).
- Vuelva a colocar el cabezal (8).
- Fije la cinta de cierre (7).
- Vuelva a apretar el perno de seguridad (6).

Inspección del hermetismo

Comprobación de los tubos

Asegúrese de que los tubos de conexión estén en buen estado y bien fijados.

Si los tubos estuvieran dañados, rotos o mal conectados en los puntos de unión, deberán ser reemplazados.

Cuando aspire materiales pegajosos, compruebe que no haya obstrucciones en el tubo, en la boca de aspiración y en el deflector dentro de la cámara de filtración.

Para limpiar, raspe la toma de admisión desde el exterior para quitar los depósitos.

Comprobación de la guarnición de la cámara de filtración para máquinas equipadas con sistema Longopac®

Figura 12

Controle que la bolsa Longopac® esté hermética con la guarnición (2).

Controlar también el sellado de la guarnición colocada en el clapet de descarga (1).

Se debe sustituir la guarnición cuando esté rota, presente cortes, etc.

Esquemas de conexiones








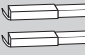
Figura 13

Nombre	Código	Descripción	Cantidad
Q1..2	4083901814	Interruptor 2P 20A	1

Piezas de repuesto recomendadas

Las siguiente lista incluye las piezas de repuesto que se deberían tener a mano para ahorrar tiempo en las operaciones de mantenimiento.

Para encargar piezas de repuesto, consulte el catálogo de piezas de repuesto del fabricante.

	Nombre	Modelo
	Kit filtro de estrella	4081701393
	Kit de filtro primario (versiones para PC)	4081701393
	Guarnición anillo filtro	Z8 17025
	Abrazadera filtro	4084001291
	Filtro absoluto	4081701384
	Longopac	4084000956
	Motor 1000 W	40000938
	Escobillas para motores de 120 V 1000 W (2 unidades)	40000886

Resolución de problemas

Problema	Causa	Solución
La máquina no arranca.	Falta de alimentación	Compruebe la presencia de alimentación en correspondencia de la toma de corriente. Compruebe el estado del enchufe y del cable. Solicite la asistencia de un técnico del fabricante cualificado.
Las revoluciones de la máquina aumentan	Filtro primario obstruido Tubo de aspiración bloqueado	Utilice el agitador de filtro (modelos con agitador de filtro manual). Si esta acción no fuera suficiente, sustitúyalo por otro. Compruebe el tubo de aspiración y límpielo.
Sale polvo de la máquina	El filtro está roto Filtro incorrecto	Sustitúyalo por otro filtro del mismo tipo. Sustitúyalo por otro filtro del tipo correcto y compruebe el funcionamiento.
Motores ruidosos	Escobillas de motor (carbón) gastadas o rotas	Quite y sustituya las escobillas (de carbón) del motor.
Hay corriente electrostática en la máquina	Toma de tierra inexistente o ineficiente	Compruebe todas las conexiones a tierra. Sobre todo en la instalación de la boca de aspiración; sustituya el tubo por otro antiestático.

Garantía

Nilfisk garantiza que el equipo estará libre de defectos de fabricación o materiales por un período de dos años a partir de la fecha de entrega. Si la aspiradora no cumple con estos estándares de garantía, Nilfisk, previa notificación dentro del plazo establecido, podrá corregir esta falta de conformidad, a su elección, ya sea mediante la reparación de cualquier parte o partes defectuosas, o mediante la sustitución de una o varias partes, siempre que el equipo sea devuelto a un centro de asistencia autorizado Nilfisk. En todos los casos, los gastos de expedición en ambos sentidos serán a cargo del cliente. El equipo no deberá ser devuelto sin previo aviso y sin consentimiento de Nilfisk.

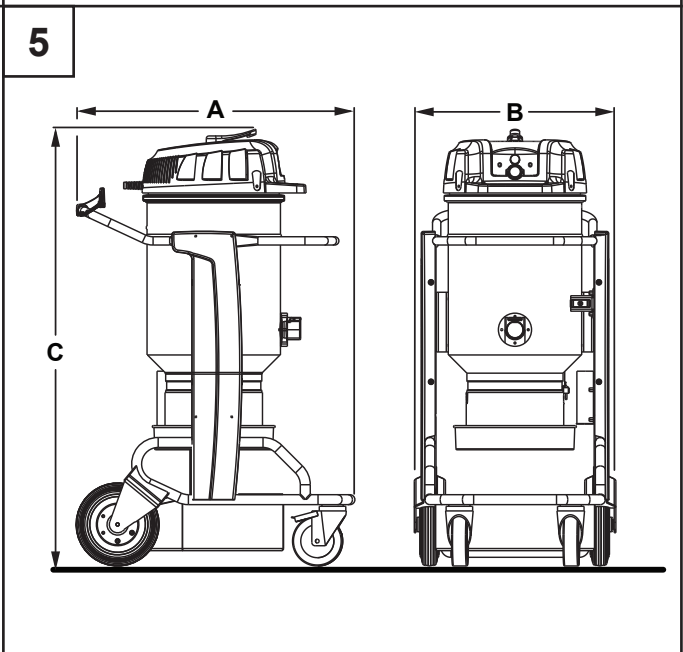
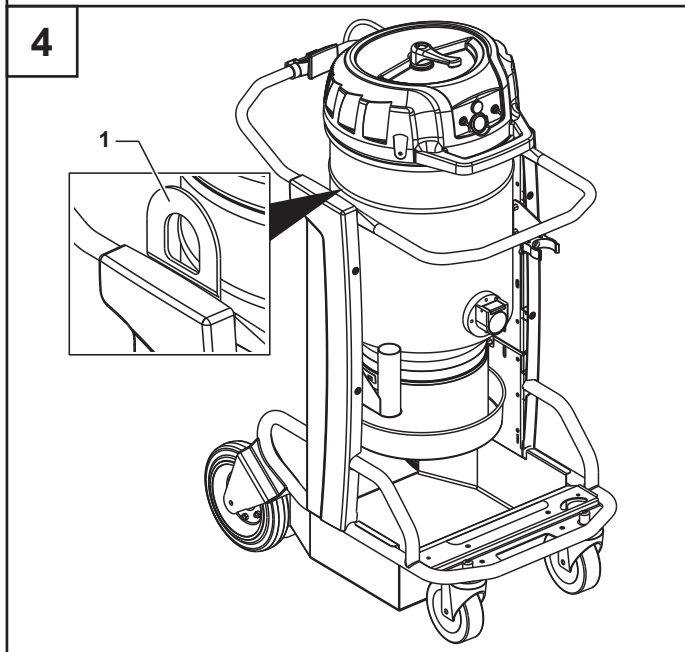
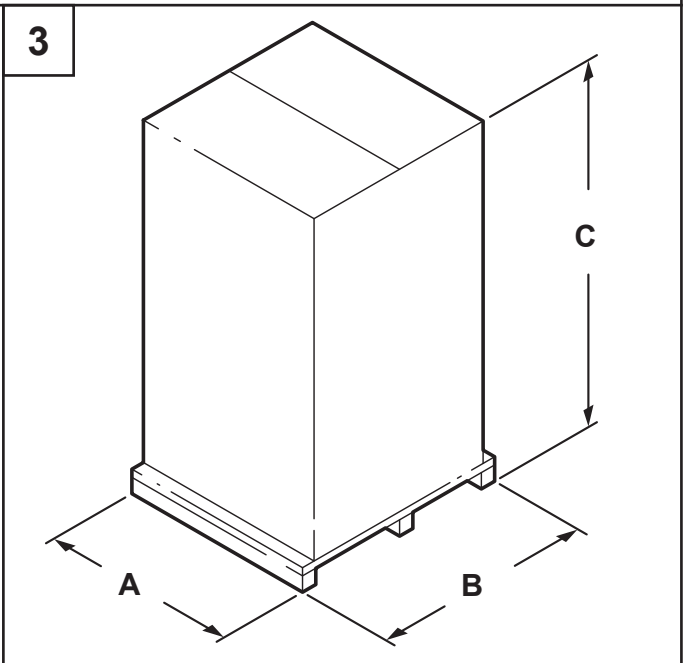
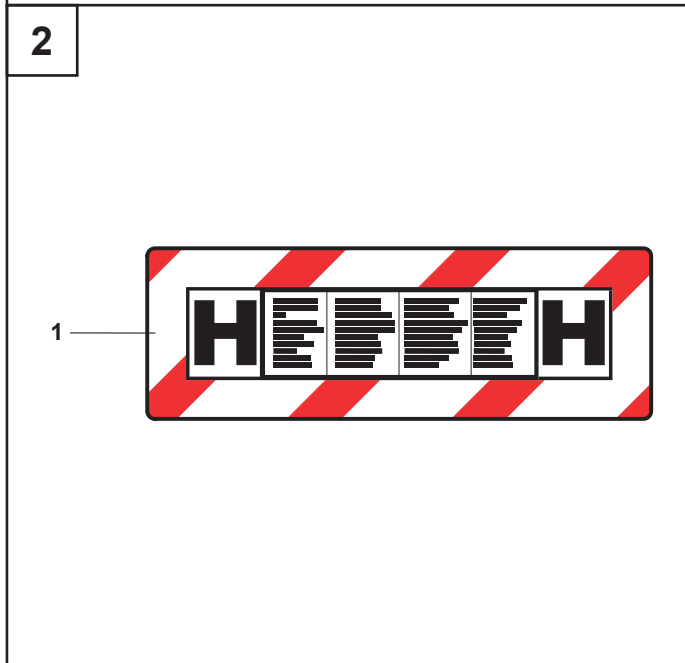
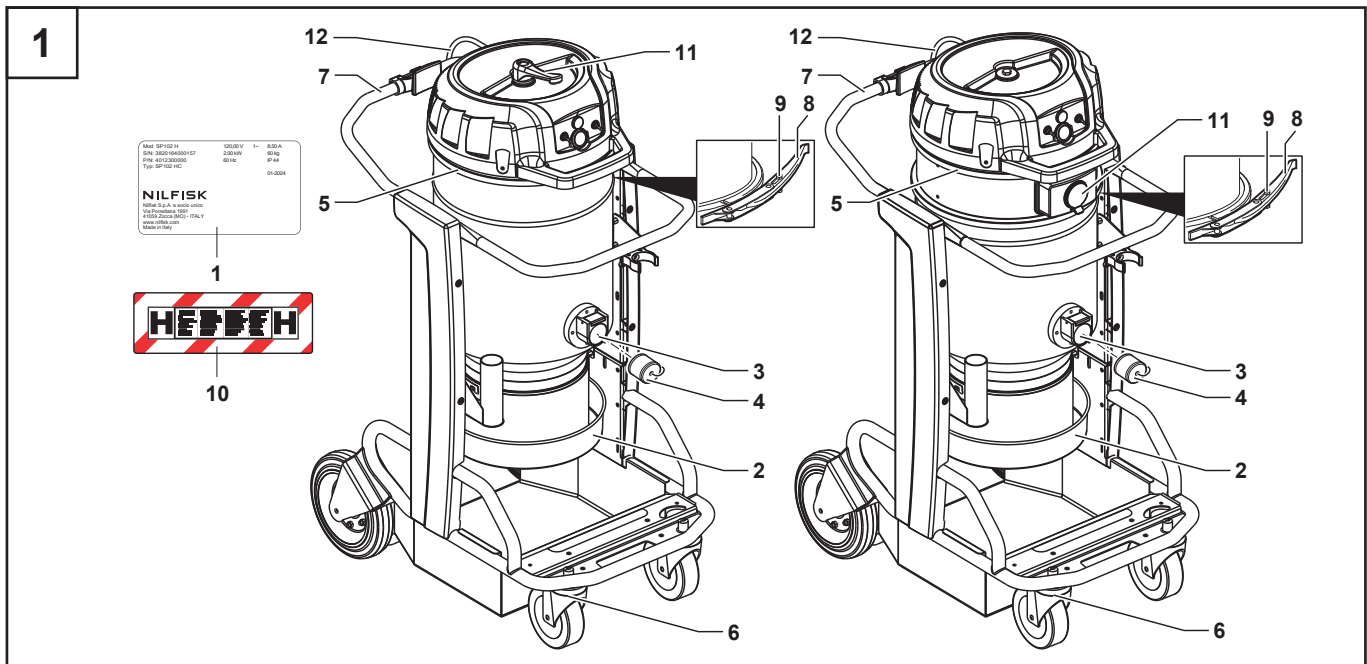
A EXCEPCIÓN DE LO QUE SE EXPONE AQUÍ, NILFISK NO OTORGA GARANTÍAS, YA SEAN EXPRESAS O IMPLÍCITAS, CON RESPECTO A CUALQUIER ASUNTO, INCLUYENDO SIN LIMITACIÓN TODAS LAS GARANTÍAS DE COMERCIALIZACIÓN, ADECUACIÓN DE USO, O OTRAS GARANTÍAS, TODAS LAS CUALES SE RENUNCIA EXPRESAMENTE Y ESTÁN EXCLUIDAS. NINGUNA DE LAS PARTES SERÁ RESPONSABLE ANTE LA OTRA POR DAÑOS ESPECIALES, INDIRECTOS, INCIDENTAL O CONSECUENTE, INCLUYENDO PERO NO LIMITADO A LA PÉRDIDA DE PRODUCCIÓN, PÉRDIDA DE BENEFICIOS O CUALQUIER OTRA PÉRDIDA SIMILARES INDIRECTA QUE PUEDA PRODUCIRSE COMO CONSECUENCIA DE DEFECTOS, FALLA PARCIAL O TOTAL DEL PRODUCTO QUE SE DESEMPEÑE COMO SE ESPECIFICA.

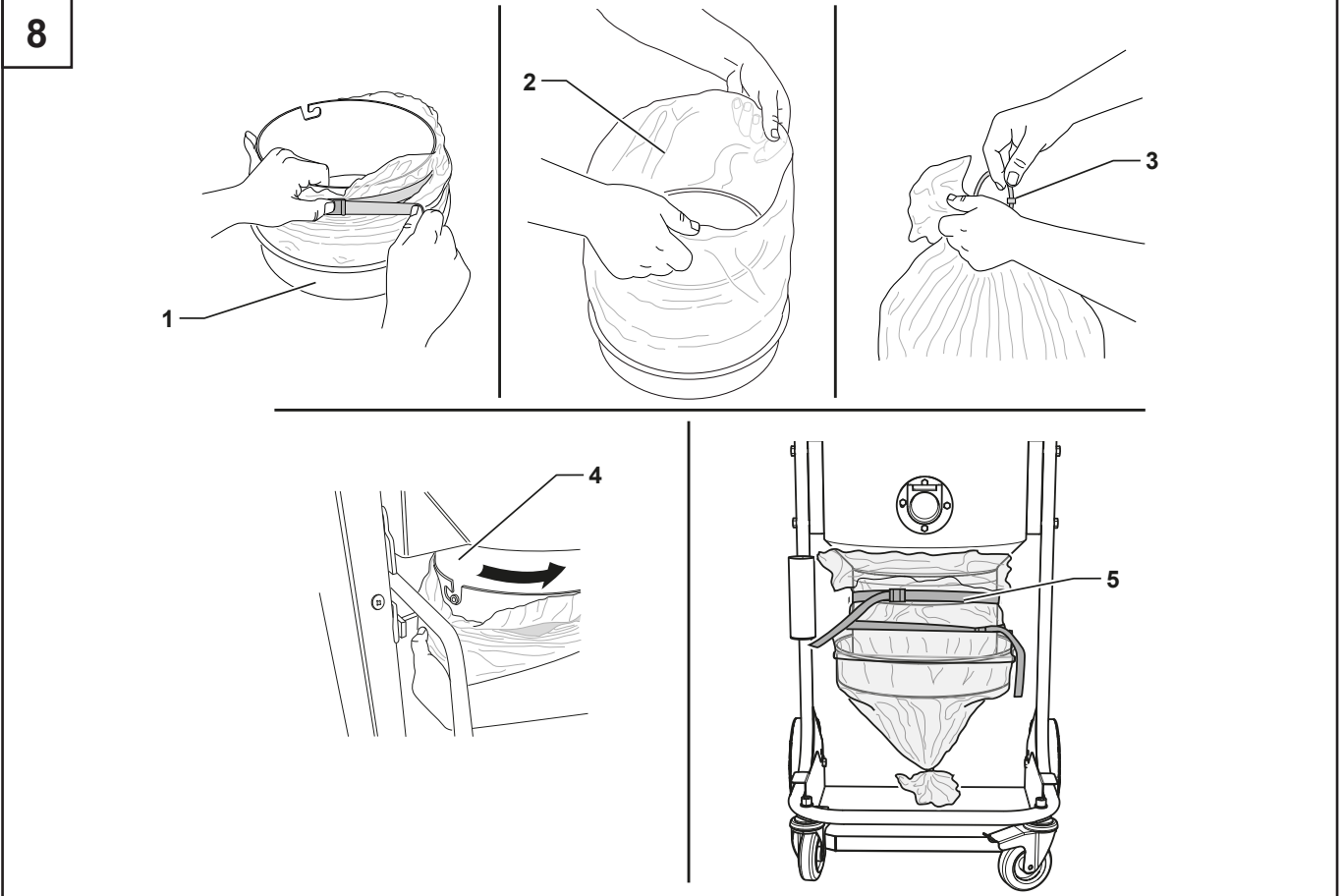
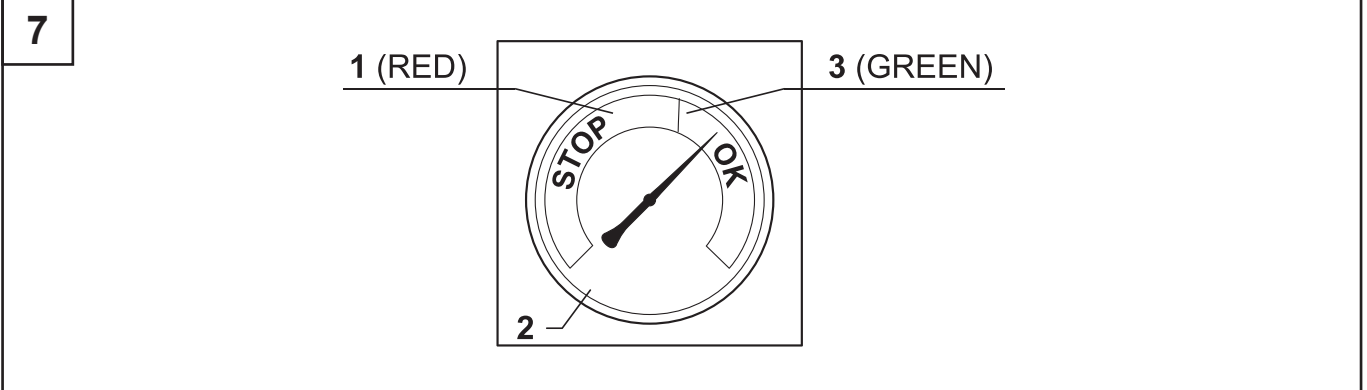
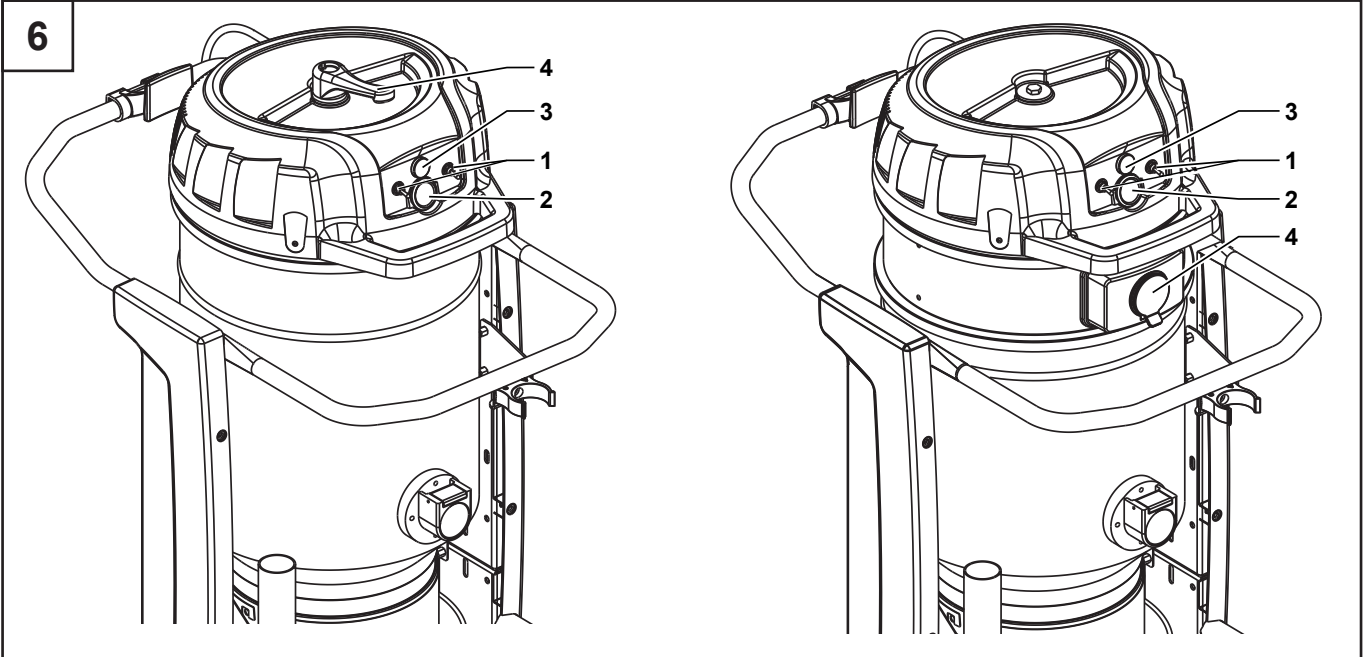
La corrección de no conformidades o defectos en la forma y por el período de tiempo indicado anteriormente, constituirá el cumplimiento de todas las responsabilidades de Nilfisk hacia el cliente, ya sea basado en contrato, negligencia o de otra manera con respecto a, o que surja de dicho equipo. Los recursos establecidos en este documento son exclusivos, y la responsabilidad de Nilfisk con respecto a esta venta o cualquier cosa hecha en relación con ella, ya sea contractual, extracontractual, en virtud de cualquier garantía u otra forma, no será, salvo que se indique expresamente aquí, superior al precio del equipo o parte en que se basa tal responsabilidad.

Esta garantía no cubre las reparaciones debidas al desgaste normal, accidente, negligencia, uso indebido o abuso, instalación incorrecta o uso distinto al descrito en el manual de instrucciones. No cubre rupturas de tubos y cables.

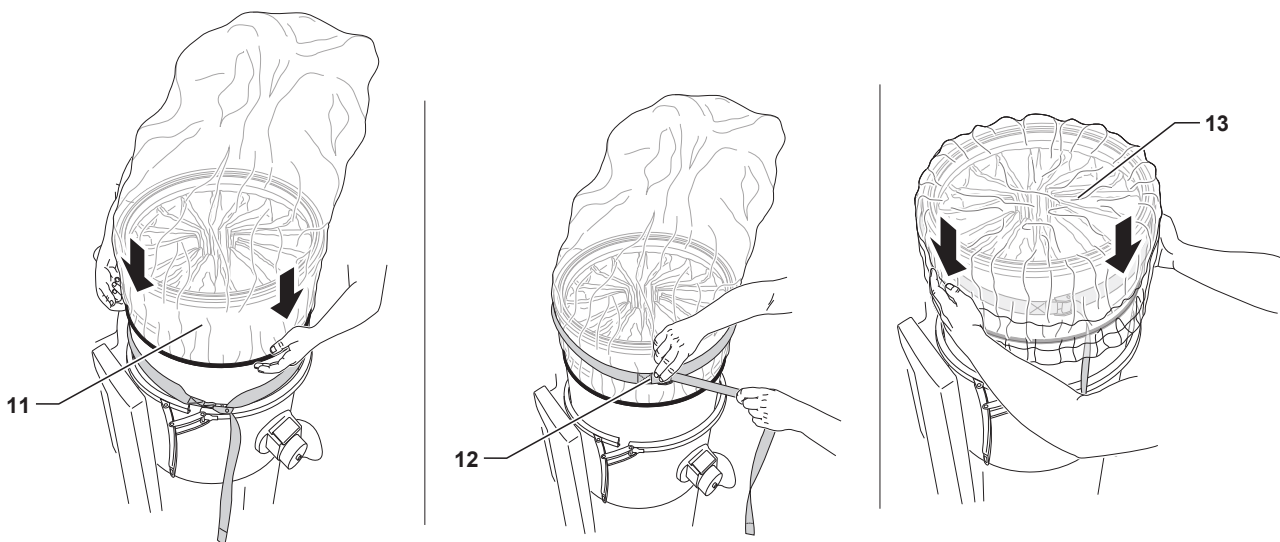
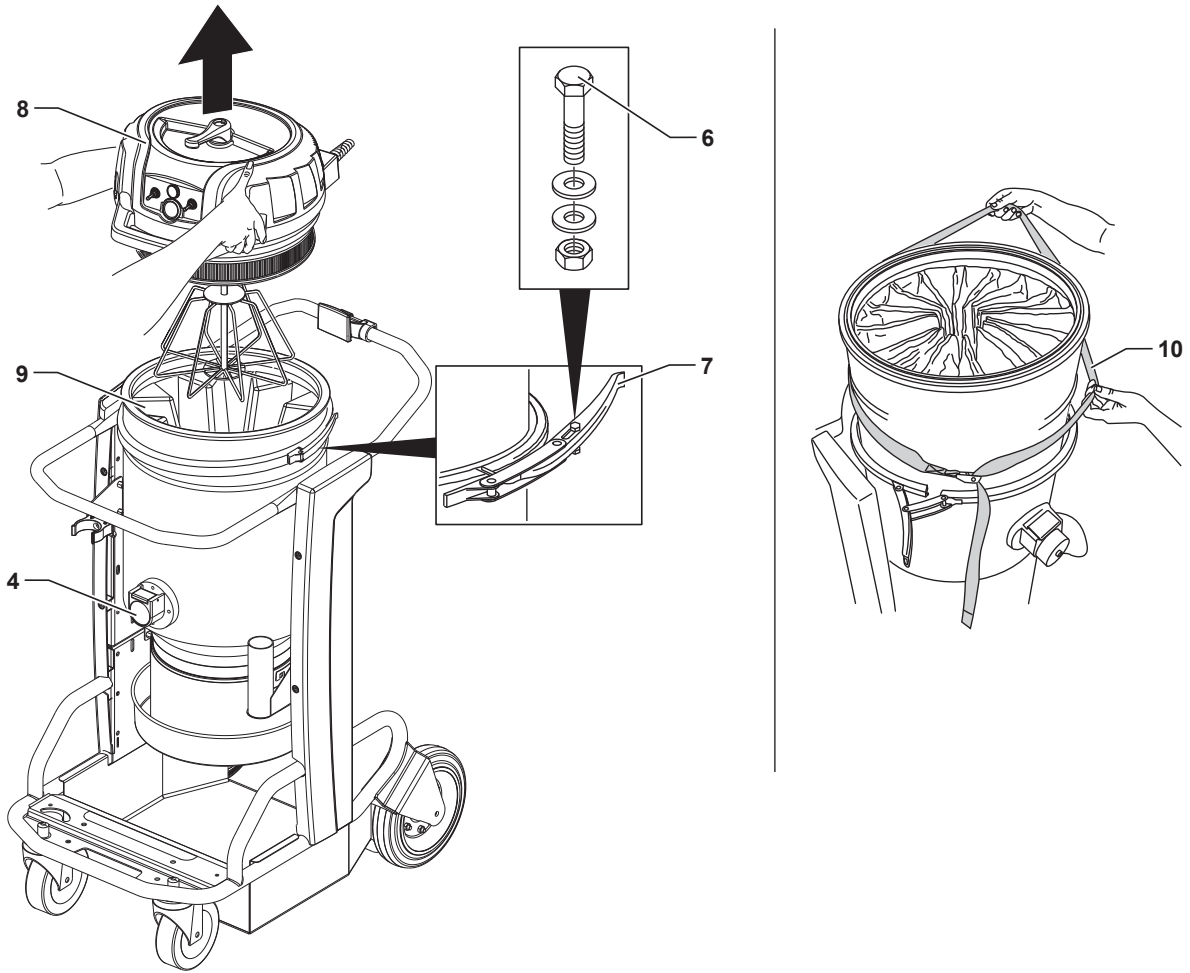
Esta garantía queda anulada si el número de matrícula del motor está eliminado o borrado, o si las reparaciones son realizadas o intentadas por personas no autorizadas por Nilfisk.

Algunos estados no permiten la exclusión de garantías implícitas o limitaciones sobre la duración de una garantía implícita, por lo tanto las exclusiones o limitación de garantías implícitas arriba indicadas podrían no ser aplicables. Algunos estados no permiten la exclusión o limitación de daños incidentales o consecuentes, por lo tanto la exclusión o limitación de daños incidentales o consecuentes arriba indicadas podrían no ser aplicables. Las garantías limitadas establecidas anteriormente otorgan derechos legales específicos. El cliente puede tener otros derechos que varían de estado a estado.

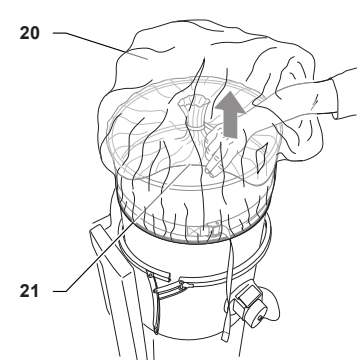
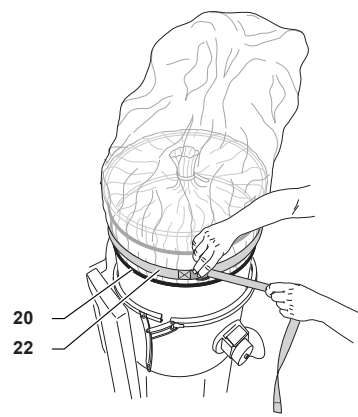
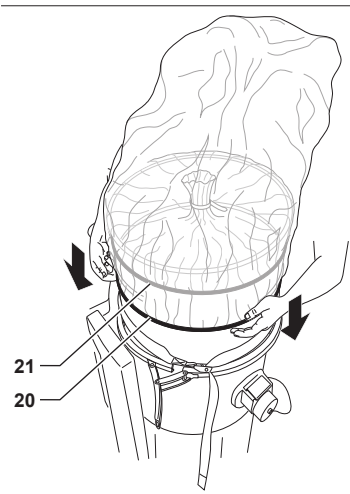
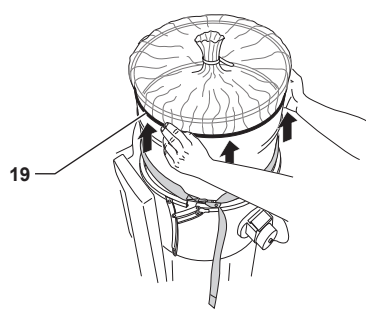
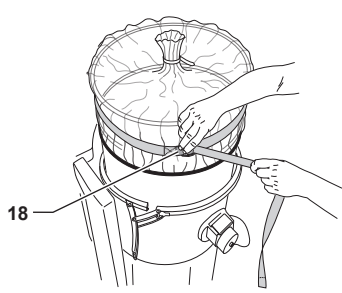
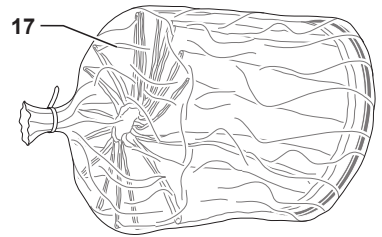
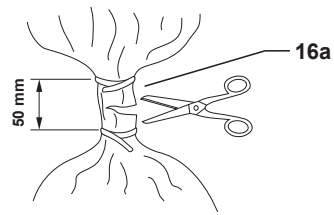
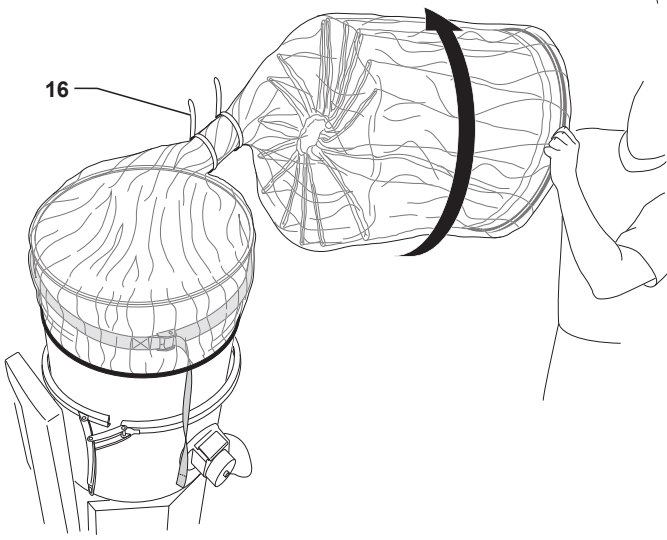
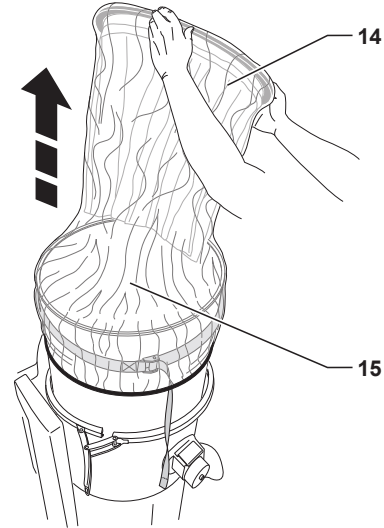
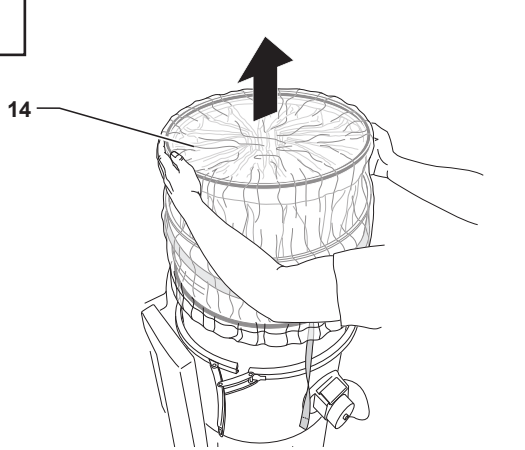




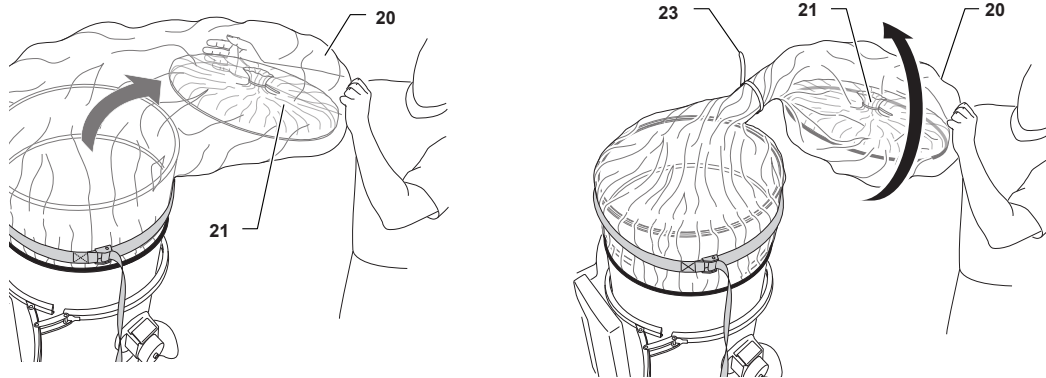
9



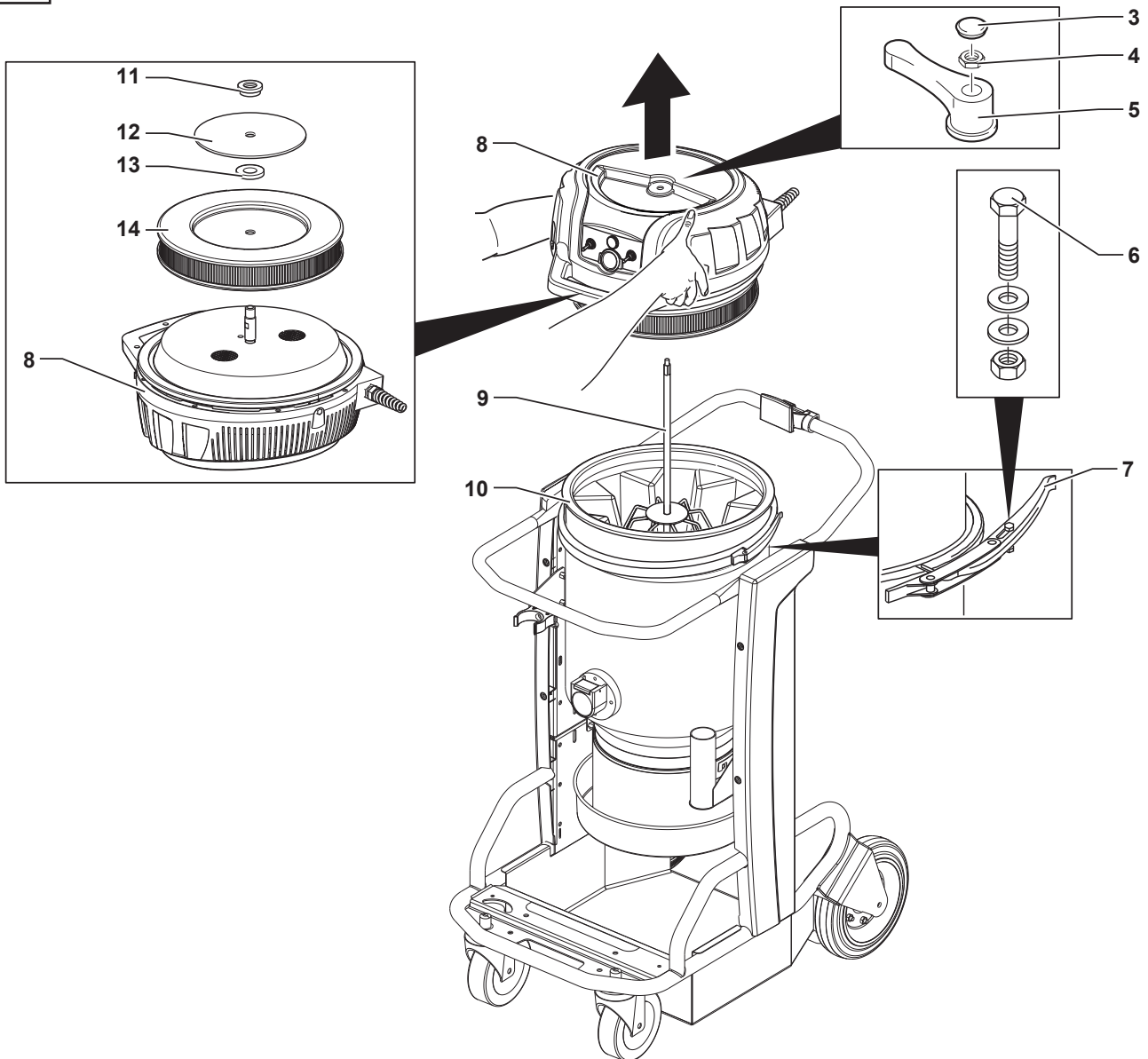
9



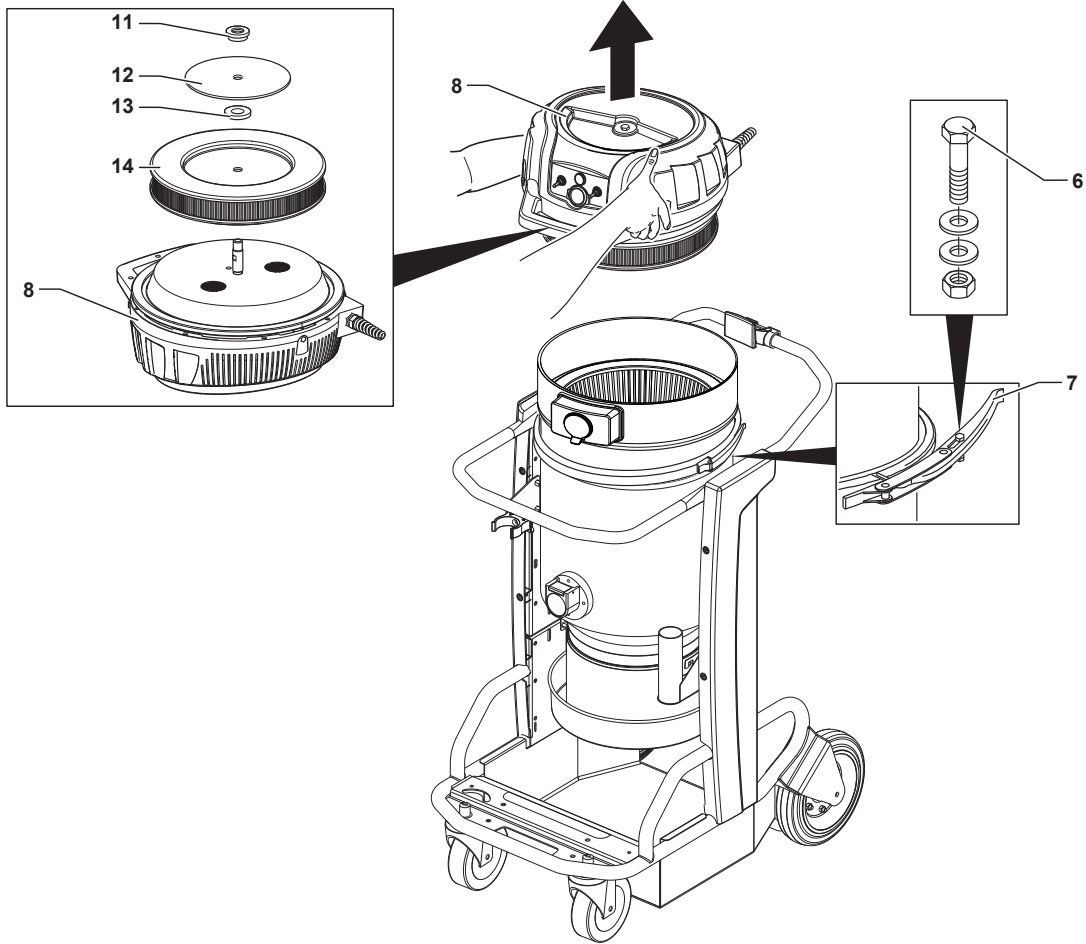
9



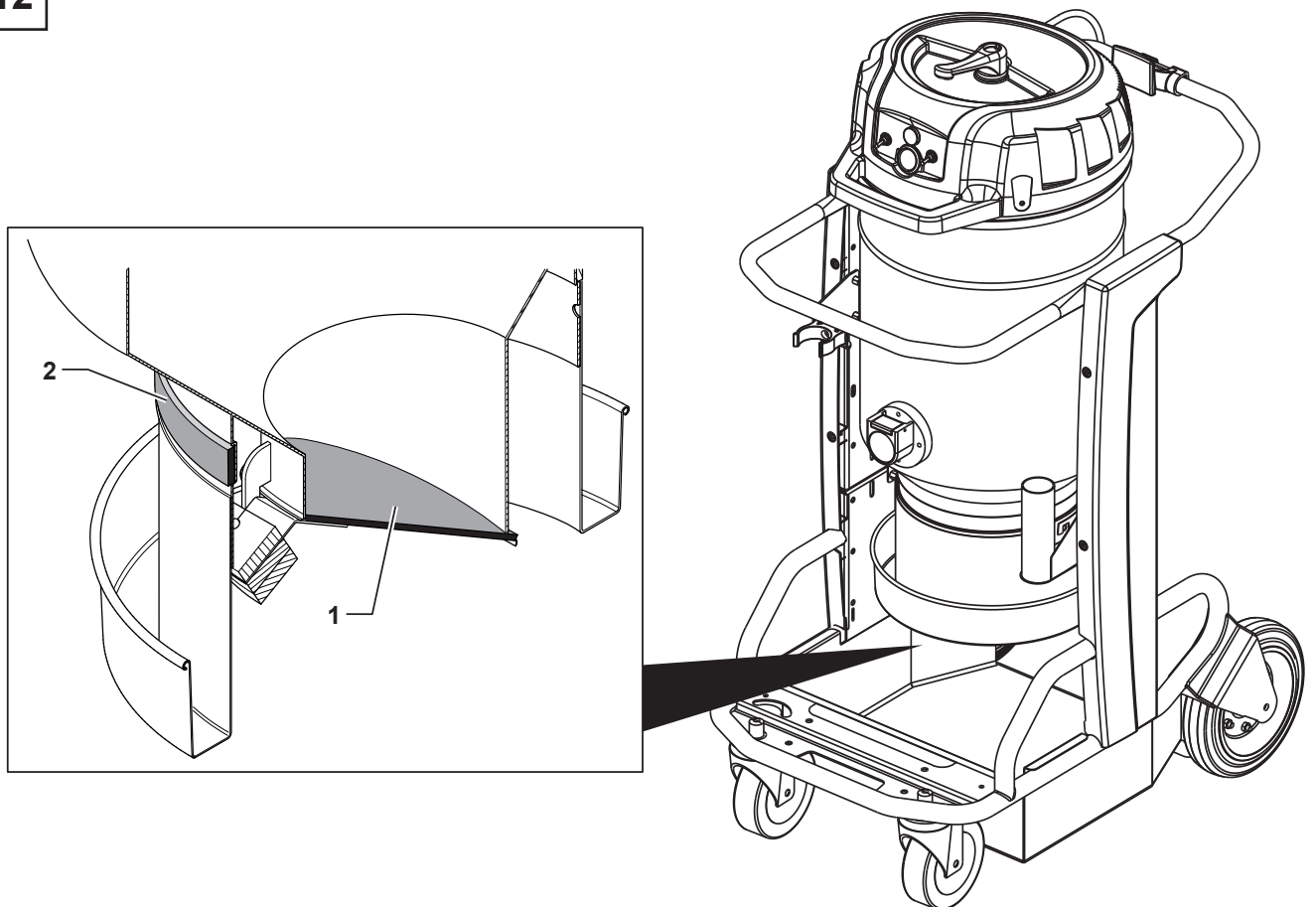
10



11



12



13

ALIMENTAZIONE
POWER SUPPLY

