

CTX
PROLUX



For your safety, please read the Owner's Manual in its entirety.

Instruction Manual



Congratulations on your purchase of your new Prolux CTX vacuum! At Prolux when we designed it, we had you in mind! We wanted you to go to your closet and pull out your new Prolux decades later and say, “Wow I am so glad I bought this”. When you empty out your water bowl each time after you vacuum and say, “wow I can’t believe how much dirt this picked up” or “have you noticed how the air feels cleaner in here?”. Welcome to the Prolux family and don’t forget to register for your lifetime warranty at www.proluxcleaners.com.

Quick Assembly

For a quick 1-minute video that shows you how to assemble your new vacuum visit <https://youtu.be/5cFbR5w1OoM> or scan



or for a more in-depth video (13 minute demonstration) visit <https://youtu.be/77k-ieCxzEs>

or see image steps for assembly below





WARRANTY

Register for your Warranty

Why do I have to register my warranty within 90 days to get my Lifetime warranty?

Great question ☺ Do you know what normally kills a vacuum cleaner?

- 1) Vacuum Bag is overfilled which causes the motor to overheat (good thing this is bagless).
- 2) Filters needing changed and are clogged which overheats the motor (good thing this does not use filters).
- 3) Hair and carpet fibers wrapping around the brushroll overheating the motor.

LOL do you see a trend? In other words, proper maintenance will add years to your vacuum's life. By registering your warranty, we will email you maintenance tips, when it's time to maintain your vacuum, product info updates, and coupons to use for future orders. We do not ever require you to purchase anything OR to prove that you are maintaining your vacuum to be covered by the lifetime warranty. All we care about is that you are getting our reminders.

Normally we send out maintenance email reminders once every 6 months.

To register for your Lifetime Warranty go to

<https://proluxcleaners.com/pages/warranty>

or scan below with your phone



Frequently Asked Questions:

1. Is this “Made in the USA”.

No, it is not. “Made in the USA” has very specific legal definitions. Instead, it is “Built in America”. Most of the parts are made in North America. However, we also looked worldwide for the best parts (remember we want it to last a lifetime). For example, we found the best power nozzle from a company in Germany (their factory is in Poland) and the best motor (2 speed, dependable and very powerful) from Italy. Then we assemble and test them here at the Prolux factory in Utah.

2. Does this vacuum come with a Lifetime Warranty?

It comes with a 90-day warranty BUT when you register at ProluxCleaners.com within 90 days of ordering it is automatically upgraded to a lifetime warranty. See warranty details and the end of this manual.

3. How does UV light work?

As you use your vacuum you will notice not much UV light is in the water bowl. This is because most of the magic happens up inside the vacuum. The air passes through the water bowl, moves up inside the vacuum and then exits the vacuum through the exhaust. This way it is exposed to the UV light.

4. Is the vacuum heavy?

Its true water is a couple pounds heavier. However, you will only notice the weight when you carry the vacuum up the stairs. This is because we designed 4 high end caster wheels to easily roll on your floors. So, while you are vacuuming it will feel like a very light vacuum. The water in the vacuum is what makes it practically maintenance free, great filtration, and you never have to buy bags or filters. Plus using water to filter with is what gives it all that extra deep cleaning power.

5. On air purifier mode mine is spraying out tiny amounts of water. Why?

This is because you over filled the water bowl. Follow the instructions in this manual for proper levels and it will never spray or leak any water out.

6. Why does it not have a cord rewind feature?

Great question ☺ We debated this internally when we were designing the vacuum. Cord rewinders are a very nice feature but they have one big problem. The problem is that they fail (normally within 3 years). We designed the Prolux CTX to last a lifetime, so we did not include a cord rewind feature.

7. Why won't my electric power nozzle turn on?

No worries its always something simple. 1) Make sure the cord from hose is plugged into the canister plug in. 2) Make sure the electric wand is fully snapped into the power head and the hose is fully snapped into the wand. 3) Make sure the vacuum is turned on to full power mode. 4) Make sure the hose power switch is flipped to “on”. 5) Make sure you have pushed the power nozzle release button and released the head. If you have done all these things and it still does not work look for a reset button on the power nozzle, firmly push it and try again. Also, see trouble shooting section in this manual for more details.

Table of Contents

Specifications	7
Safety & Precautions	8-10
Description of Parts	12
How to operate & use	13-18
Troubleshooting	19
Warranty	20-22

SPECIFICATIONS

- Water UV Filtration – Not only does the CTX use water to filter with (like nature), it will also use an added LED UV light which shines into the water bowl giving the CTX 2 stages of filtration.
- Powerful – 120V - 2 Speed Italian motor. Use the high speed for vacuum cleaning and the low speed for air purification. Max CFM – 130
- Lightweight – Machine Weight (No Water): 14lbs, Machine Weight (w/Water): 17lbs
- Easy to Use – Aluminum power knob with multi speed motor adjustments and LED indicator lights
- NO BAGS!! – Bagless design allows you to never purchase another bag. Just fill the water bowl up and dump out when you're done
- Dependable – LIFETIME warranty when registered through Prolux (Registration is required within 90 days of purchase to be eligible for full LIFETIME warranty). Register at: <https://proluxcleaners.com/pages/warranty>

Size	29"x16"x14.8"
Weight	17lbs
Power	130 CFM
Noise Level	Low – 68dB High – 80dB
Voltage	120V
Purification	Water, UV

Why did my new CTX pick up so much more dirt than my old vacuum?



The above image is from an actual customer the first time they vacuumed with their new Prolux CTX. What did yours look like? We love reviews with pictures like this! The reason is most vacuum cleaners only have 70 CFM of suction power (stick vacuums and robot vacuums are WAY less than that). However, the Prolux CTX has an amazing 130 CFM of deep cleaning power, so it picks up what was left behind.

SAFETY INSTRUCTIONS

When using an electrical appliance, basic precautions should always be followed, including the following: **READ ALL INSTRUCTIONS BEFORE USING THIS APPLIANCE**

WARNING: To reduce the risk of fire, electric shock, or injury:

- This appliance is for indoor use only. Do not use it outside or store in wet places.
- This appliance is for household use only.
- **DO NOT** let children use it without adult supervision. This appliance is not a toy.
- **DO NOT** leave appliance unattended when plugged in. Unplug from outlet when not in use and before emptying the water container.
- **USE ONLY** as described in this manual. Use only manufacturer's recommended attachments.
- **DO NOT** use it with a damaged cord or plug. If appliance is not working, as it should, has been dropped, damaged, left outdoors, or dropped into water, contact customer service.
- **DO NOT** pull or carry by the cord, use cord as a handle, close a door on cord, or pull cord around sharp edges or corners. Do not run appliance over cord. Keep cord away from heated surfaces.
- **DO NOT** unplug by pulling on cord. To unplug, grasp the plug, not the cord.
- **DO NOT** handle plug or appliance with wet hands.
- **DO NOT** put any objects into openings. Do not use with any opening blocked; keep free of dust, lint, hair and anything that may reduce airflow.
- **KEEP** hair, loose clothing, fingers, and all parts of body away from openings and moving parts.
- **USE EXTRA** care when cleaning stairs.
- **NEVER** use to pick up flammable or combustible liquids such as gasoline or use in areas where they may be present. See section PRECAUTIONS WHEN VACUUMING LIQUIDS.
- **ALWAYS** turn off this appliance before connecting or disconnecting either hose or motorized nozzle (optional).
- **TURN OFF** all controls before unplugging.
- This appliance is provided with **DOUBLE INSULATION**. Use only identical replacement parts. See ¹¹_{SEP} instructions for **SERVICING OF DOUBLE INSULATED APPLIANCES**.
- **DO NOT** suck up anything which is burning or smoking, such as cigarettes, matches or hot ashes.
- Before turning on this appliance, make sure the motor unit latches are tightly secured to the water bowl. Failure to do this could cause a risk of injury and would defeat the utility of the appliance.
- Your CTX is provided with a safety interlock switch to prevent operating the appliance without attaching the water container. Because the turbine operates at high speed, this is to protect you from coming into contact with the moving Hydro Turbine.

GENERAL PRECAUTIONS & RECOMMENDATIONS

- DO NOT plug the CTX into the receptacle of an incandescent light bulb or use extensions cords with less electrical capacity than needed.
- The CTX must not be used to clear sewers. An explosion may occur if the machine suctions sewer gases.
- You must NEVER touch a metallic kitchen sink or washbasin or water pipelines with one hand while holding the machine with the other hand. The danger is greater if the person's skin is wet.
- Take special care when cleaning stairs.
- ATTENTION: It is not recommended to use the CTX for cleaning chimneys or open stoves, or other devices that have oil or grease, for example, soot or ashes, clay dust, plaster or other similar materials that are resistant to water action. It must also not be used for vacuuming toxic or volatile substances or near any of these.

PRECAUTIONS WHEN VACUUMING LIQUIDS

Always consider the following precautions:

- DO NOT operate the machine with wet hands or feet or barefoot. ^[L]_[SEP]
- NEVER use to clean up liquids outdoors, or on dirt. ^[L]_[SEP]
- NEVER vacuum liquids when you are stepping on water or a wet floor. If it should be necessary to step on a wet or damp floor to pick up water, do not touch the metallic parts of ANY electric device, lamp or switch while performing this operation. ^[L]_[SEP]
- DO NOT carry the machine with your hand while using the machine for cleaning operations. ^[L]_[SEP]
- The water container must be empty BEFORE you begin picking up liquids.
- DO NOT vacuum more than 2.8 liters (3 quarts); the water level must NEVER be above the center post inside the bowl. Excess water in the bowl will cause shaking and vibration and will also cause the vacuum to suck the water up into the motor. If this occurs, the vibrations are your warning the water container is overfilled and to shut the motor off immediately. ^[L]_[SEP]
- NEVER vacuum water with the electrical hose. Instead use the non-electrical hose for vacuuming up water.

SPECIAL CARE & SAFETY INSTRUCTIONS

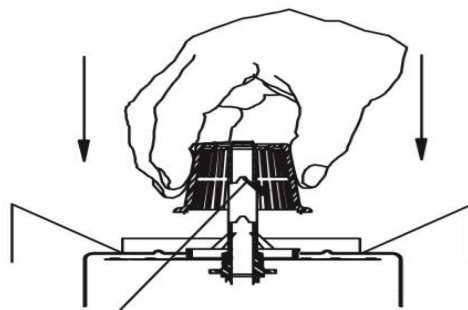
WATER: Do not operate the CTX for too long without changing the water. When you notice that the water is getting too full of dust and fuzz, dump it out and replace it with fresh water. The correct level of water is that of the height of the central post of the water container.

WATER CONTAINER: ALWAYS empty the water container after each use, which the water bowl may need to be emptied several times during use depending on the size of the area being cleaned. When you finish cleaning your house and the water bowl has been cleaned always store the main motor housing OFF of the water bowl to avoid rust and mold growth.

THE HYDROTURBINE IS THE HEART OF YOUR MACHINE: After vacuuming, unplug the CTX from the power outlet. Remove and clean the Hydro Turbine monthly. Wash it inside and out with soapy water and a stiff bristled toothbrush. Dry it completely and put in place again. Tighten the nut by hand until the flat surface of the Hydro Turbine is properly adjusted. Do not over tighten, as the Hydro Turbine automatically tightens upon starting the machine. The Hydro Turbine is the key for separating the dirty water from the airflow and proper care is important for the performance of your appliance.

If the Hydro Turbine should become damaged (CHIPPED OR BROKEN), replace the Hydro Turbine with a factory-made turbine from the manufacturer. **WARNING:** The CTX must NEVER be used without the Hydro Turbine. Always place it back after cleaning it.

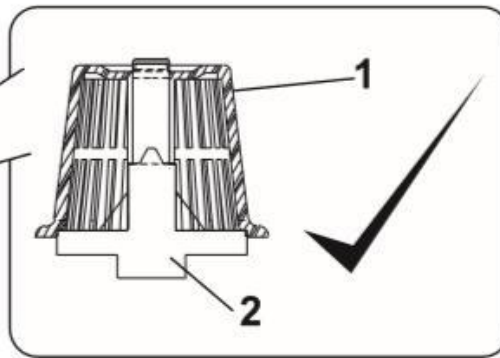
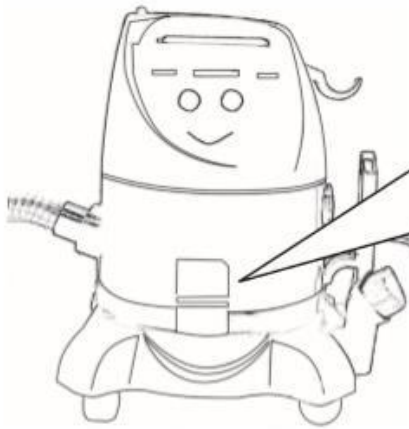
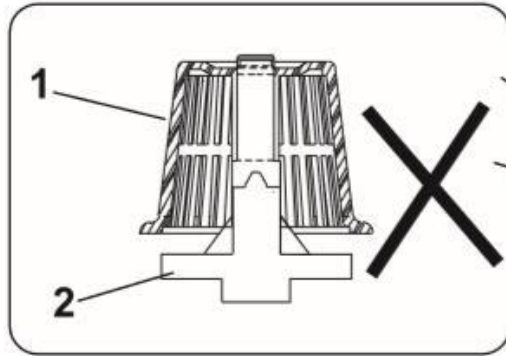
SERVICING OF DOUBLE INSULATED APPLIANCES: For your safety and protection, your CTX is a **DOUBLE INSULATED** appliance. NEVER attempt to service the electrical parts of the appliance. There are special requirements for servicing **DOUBLE INSULATED** appliances and failure to do so can cause safety hazards with your unit as well as voiding the warranty. All repairs should be done by an authorized service center.



Make this guide coincide perfectly when placing the HydroTurbine in its place.

HYDRO TURBINE CARE

The HydroTurbine (1) must rest flat on base of spider (2). You do this by turning Hydro-Turbine with fingers until it falls in place.



Remember, always use the vacuum cleaner with the HydroTurbine in the correct position!

Description of Parts



-
- | | | |
|-----------------------|---------------------------|-------------------------|
| 1. Power Switch | 10. Hose Handle Release | 19. Hard Floor Tool |
| 2. Power Hose Plug In | 11. Wand Extension Button | 20. Crevice Tool |
| 3. Suction Port | 12. Main Wand | 21. Upholstery Tool |
| 4. Hose/Cord Hanger | 13. Wand Release Pedal | 22. Duster Tool |
| 5. Water Bowl Latch | 14. Height Adjuster | 23. Mini Turbo Head |
| 6. Water Bowl | 15. Pivot Release | 24. Handheld Shampooer |
| 7. Wheel Dolly | 16. Electric Powerhead | 25. Coil/Inflation Tool |
| 8. Electric Main Hose | 17. Tool Hose/Wet Pickup | 26. Extension Wands |
| 9. Hose Handle Switch | 18. Squeegee Floor Tool | |

OPERATION AND HANDLING

General guidelines for using the CTX:

Fill up the water bowl with cold water until it almost covers the top of the central post inside the water bowl (fig 1) The motor unit is then placed on top of the water bowl (fig 2). The suction port of the bowl should be lined up with the notch in the motor unit. The edge of the motor unit should firmly rest on the top of the water bowl and be inside of the retaining ring for correct location, otherwise the machine will not work. This is because of the safety switch located on the underside of the motor unit. Engage the two clamps, catch the lower latch piece to the water bowl tabs and push the upper latch piece towards the motor unit locking the latches in place. Once the water bowl has been latched to the motor unit place the machine on top of the wheeled base. **Note: The clamps will not operate properly if the motor unit is not in the proper position on the water container. If the clamps do not operate easily, check the location of the motor unit.**





Whichever hose you choose to use can now be connected to the water bowl port and locked into place. Just insert the hose end into the port and twist to lock into place. You can now attach the wand(s) to the hose end and then connect either the electric powerhead or any of the attachments to the wand end. Turn the vacuum on with the power switch on top of the motor unit and you're ready to clean.

WATER CONTAINER / HYDRO TURBINE



To empty the water bowl:

1. Release both latches by pulling the upper part of the latch down and the lower part up. You can then remove motor unit from the water bowl. 
2. Carefully pick up the water bowl by the intake port end, remove it from the wheel dolly and empty the dirty water into the sink or toilet.
3. If anything is left in the bowl after dumping place the heavier particles in the bottom of the water bowl in the trashcan (such as wet fuzz)
4. Wash, rinse and dry the water container. 
5. Store the motor unit apart from the water container until next use so both can fully dry out.



Care of Hydro Turbine:

Take out the turbine after each use and wash it inside and out with water and soap, using a stiff bristled toothbrush to scrub the turbine clean. Dry it and put it back in its place. Tighten the nut by hand until the turbine is seated and the rim is flush with the rim of the metal casting of the motor. Do not over tighten, as the Hydro Turbine automatically tightens up on starting the machine.

WARNING: The Hydro Turbine must always be put back in its place after cleaning. Do not operate the machine without the Hydro Turbine installed.

Using The Attachments

Floor Tool (Fig 1): Use the floor tool on hard floor surface when the powerhead is not needed. Can be attached to either the main extendable wand or the included wand extensions.

Squeegee Floor Tool (Fig 2): Use for cleaning hard floors and for wet pick up. Works great for picking up wet spills or any liquid on your hard floors.

Crevice Tool (Fig 3): Use for cleaning radiators, cracks & crevices along corners, and baseboards and in-between cushions.

Upholstery Tool (Fig 4): Use to clean upholstery, pillows, stairs or it can be used for dusting with the included slide on/off bristles.

Mini Turbo (Fig 5): This is the best pet hair tool in the business! Perfect for cleaning your upholstery, stairs and those hard-to-reach places. This is the deluxe model with a geared belt, which reduces slippage and increases the life of your tool. Brush roll is designed to sweep debris to the middle of the head for easy pick up. The swiveling bottom plate allows you to use this on your floors as well. Fits nearly any standard vacuum.



Handheld Sprayer (Fig 6): This attachment works great for those small areas that your regular sized shampooer system is just too big for. Works great in the car, on rugs, throw pillows, and furniture.

Blower/Coil Cleaner (Fig 7): This attachment great for cleaning hard to reach areas. The bristled end makes it especially easy to reach under your washer/dryer, behind your fridge and even in your vents! This tool also works great as an inflator and detailing.

Duster Brush (Fig 8): The duster brush can be used for dusting any surface, but is best used for delicate or glass surfaces

Using the Hoses

The CTX will come with 2 hoses, 1 electrical hose used with the powerhead for dry pickup and 1 non-electric hose used with the attachments and for wet pick up. Both hoses can be used with the attachments, but generally we recommend using the non-electric hose since it's a lighter hose. NEVER use the electric hose for wet pick up as this can put the user in danger of an electric shock since the hose is not insulated and made for wet pick up.



MAIN ELECTRIC HOSE – Use with the electric powerhead and other attachments when needed. Just plug the hose cord into the plug in on the main motor unit and flip the switch on the handle to the ON setting to turn powerhead on



TOOL HOSE – Use this hose with the attachments and extension wands. This will also be the **ONLY** hose you' ll use for wet pick up

Using the Powerhead



Pivot Release – The pivot release pedal will allow you to drop the head's pivot. This model of head has a safety feature where the pivot has to be released in order for the motor to turn on.

Height Adjuster – The height adjuster pedal will allow you to adjust the height of the head to accommodate any length of carpet. With 5 height settings it's easy to find the right height for your carpet.

Head Pivot – Pivot and swivel neck, fully articulating allows you to maneuver the head with little effort. Will also allow you to get under furniture to really clean your carpet.

LED Headlight - Extremely durable, long lasting LED Headlight will not fail like conventional incandescent lamps. See anything on your carpet other heads with inadequate lighting wouldn't allow you to see

USING YOUR VACUUM

REMEMBER THE FOLLOWING WHEN USING YOUR VACUUM CLEANER:

1. Before using the machine pick up by hand any hard or sharp objects such as pins, hairpins, thumbtacks, pieces of pencil, etc. that could harm the spinning brush roll.
2. Do not lubricate the motor. The motor has permanent lubrication and is sealed.
3. Shut down the machine before connecting or disconnecting hose.
4. Do not use the machine to clean chimneys, open stoves, or other materials containing oils, grease, soot, ashes, clay dust, plaster or other water-resistant materials.
5. Do not use the machine without water in the bowl unless you're going to be using it for wet pick up. When being used for wet pick up leave the water bowl empty since you'll be filling it with the liquid being picked up.

Preparation:

1. Fill the water bowl with the required amount of water, which should be just below the stem in the bottom of the bowl.
2. Ensure the Hydro Turbine is installed and in place correctly.
3. Mount the motor unit onto the water bowl and lock it into place.

Basic Functions:

1. **Air Cleaning** - Place the motor unit in a centralized area of the room and turn the power switch to the low setting. Let the unit run for the desired time, which the size of the room will determine how long the unit needs to run for. Once the desired time has been reached turn the unit off, empty the water bowl, clean and let it air dry.
2. **Vacuuming** – Attach desired hose, wand and powerhead or attachments. Turn the power switch on the main motor unit to the high setting and begin to clean until finished or the water bowl needs to be changed and refilled. The water may need to be changed several times depending on the size of the area, but you'll always want to keep the water fresh so it's able to filter efficiently.

3. **Handheld Shampooer** – This attachment can be used to spray cleaning solution or shampoo onto your upholstery, carpets, stairs, etc to then be hand cleaned. To use the sprayer simply fill it up with a mixture of water and cleaning solution or shampoo, attach the sprayer to the end of the non-electric tool hose wand or the plastic wand extensions (Fig 1). NEVER use this attachment with the electrical main hose as this will cause a risk of electrocution. ALWAYS use the non-electric tool hose for any wet pick up or use with water attachments. At this time, you can then attach the canister end of the hose to the exhaust port of the canister, so the vacuum now acts as a blower (Fig 2). Turn the vacuum on and cover the vent hole in the top of the sprayer with your thumb (Fig 1). The air flow will now create pressure inside the sprayer bottle and will begin spraying out the solution. Once the desired amount of cleaning solution/shampoo has been reached you can then let it sit for a short time and can begin to clean the area with a clean rag.



Fig 1



Fig 2

Troubleshooting

Problem	Possible Cause	Solution
Vacuum will not turn on	Safety Switch is Not Fully Engaged	Check and make sure the water bowl is securely latched to the main motor unit and the safety switch on the underside of the motor unit is fully engaged. Manually engaging the switch is an easy way to test and make sure the motor is still working properly.
	Wall Outlet is Not Supplying Power	Test the vacuum on another wall outlet and check the fuse/breaker box in your home.
	Power Cord is Damaged	Testing the cord with a voltage meter will let you know if current is still flowing through the cord. If the cord needs to be replaced contact your authorized service center for repair.
Suction power is low	Water Bowl is Full or Clogged	Check water bowl and empty/clean if needed
	The Powerhead, Wand or Hose is Clogged	Remove the hose from the main motor unit and test the suction directly from the motor unit. If the suction is strong reattach the hose only and test suction at the end of the hose. If suction is weak, you've found the clog and the hose can be attached to the exhaust of the motor unit to blow the clog out. If suction is strong add on the wand and test again. If the clog is found to be in the head you can try blowing out the head using the motor unit exhaust air, or the head can be taken apart to gain access to the internals and remove the clog. If you're unable to find a clog or regain suction contact your authorized service center for help.
	Water Bowl is Not Installed Correctly	Remove main motor unit from the water bowl and reattach. Assure the main motor unit and water bowl top are lined up and the motor unit latches are aligned and latching down properly.
Vacuum makes unusual noise or is louder than usual	Possible Clog in Water Bowl, Hose, Wand or Powerhead	See steps above for checking for a clog in parts mentioned

WARNING: Never use a defective appliance. Always switch off the appliance and disconnect it from the outlet or remove the battery before you start to troubleshoot.

For more help or if you have any questions or concerns, please contact us directly at service@proluxcleaners.com

PROLUX LIFETIME LIMITED WARRANTY

The Prolux CTX vacuum is designed to last a lifetime. **As such, Prolux warranties this product for its lifetime, for the original owner**, from premature wear or breakage due to manufacture defects in material and workmanship when utilized for normal household use.

Subject to the following conditions, exclusions, and exceptions:

1. In order for the Lifetime warranty to apply, the original owner **MUST** register their warranty with a valid email address at the link below within 90 days of original purchase.

<https://proluxcleaners.com/pages/warranty>

The reason Prolux does this is 1) To know who the original owner is and 2) The #1 killer of vacuums and cleaning appliances is dirty filters, bags, water separator, or brush roll, which then in turn overheats the motor. By registering your warranty with your email address, you will automatically get maintenance notifications when it's time to maintain your vacuum. For example, if it's time to replace your filter or clean your brush roll, you will get an automatic email reminder (with a coupon). The original owner never needs to buy anything to qualify for their lifetime warranty, but they do need to register for the warranty to get maintenance reminders.

2. The Lifetime warranty of this product only applies to the original owner and is not transferable.
3. If the original owner does not register for the warranty, then the warranty period will automatically be set at 61 days from purchase date.
4. Warranty Registration - If the original owner **DOES NOT** register for the warranty within 61 days of purchase, after 61 days has passed and this product then needs warranty work, the original owner will be required to pay for all parts and shipping costs of the claim. After a Prolux technician does the repair and inspects this product to be of appropriate quality, the original owner will be given the chance after said repair(s) to then register for the warranty a 2nd time. At this time if the customer chooses to register the Lifetime warranty will then apply going forward.
5. When used for commercial use, this vacuum will only come with a 1-year warranty and the Lifetime Warranty shall not apply.
6. The Lifetime warranty shall not apply to defective parts failing because of misuse, neglect, accidents, abuse, or failure to perform maintenance. The Lifetime warranty is designed to apply to normal use of this product. Below are 3 possible examples of where the Lifetime warranty would not apply:
 - a. Example 1 – After filling up the water bowl with water, the user walks to the vacuum and accidentally drops the water bowl on the floor and the water bowl cracks. This would not be covered by the warranty, as it is an “accident”. However, in this case the user would contact service@proluxcleaners.com and they would sell them a new water bowl (and provide a discount to the user).
 - b. Example 2 – 1 year after purchasing the vacuum, the user gets an email that its time to perform maintenance. As part of that email, they are instructed to clean any hair and carpet fiber from around the brush roll. They ignore the email and do not clean their brush roll. Over time, more buildup occurs around the brush roll and the power nozzle motor overheats and burns up. The Lifetime warranty would not apply, as this would be “failure to perform maintenance”. However, in this case the user would contact service@proluxcleaners.com and they would sell them a new power nozzle motor (and provide a discount to the user).
 - c. Example 3 – The user vacuums up a toothbrush, which causes a restriction in the hose, and as a result a clog occurs. The user notices the loss of suction and the vacuum seems to be running hot. Ignoring that, they continue to vacuum anyway. A short time later the motor burns out. The Lifetime warranty would not apply, as this would be “misuse”. However, in this case the user would contact service@proluxcleaners.com and they would sell them a new motor (and provide a discount to the user).

7. When there is warranty work needing to be done, the original owner shall file a claim by sending an email to service@proluxcleaners.com. The customer will need to provide the original purchase date or order number, images of the issue and a detailed description of the problem. For valid Lifetime warranty claims the Prolux Customer Service department (or authorized service center) shall determine what parts to send and send those to the customer, along with a detailed video of how to install the part. In the event sending a part cannot repair the issue, then the Prolux Customer Service department may request the vacuum to be sent in for repair by an authorized Prolux technician. In either case, Prolux shall be responsible for all costs including parts, labor and all shipping charges. **There shall be no charge to the customer for valid Lifetime warranty claims.**

8. Product Discontinuation – No product stays in production forever. In the event that the original owner registers their warranty and Prolux discontinues making this product, Prolux shall notify the original owner via email that the product will be discontinued (giving the original owner time to stock up on any parts). IF the original owner needs warranty work AFTER the product is not in production anymore AND Prolux cannot provide original or similar parts, then Prolux shall provide a credit or refund (see table below). Prolux at their option may require the customer to ship back the vacuum for a credit or refund (Prolux shall provide the prepaid shipping label) before credit or refund is issued.

Years since original purchase	% of purchase price to be credited or refunded
0 to 1	90%
1 to 2	80%
2 to 3	70%
3 to 4	60%
4 to 5	50%
5 to 6	40%
6 to 7	30%
7 to 8	20%
8 to 9	10%
10 years and on	0%

9. Prolux Rebuild Program – As your vacuum gets older, nothing may be wrong with it and it still runs, but not as good as it used to. This does not qualify the vacuum for any warranty issues, but it does qualify for our Prolux Rebuild Program. This program is cheaper than buying new and allows you to ship your vacuum back to Prolux to be rebuilt to like new condition. If you want to take advantage of this program, send an email to service@proluxcleaners.com requesting what exact parts you would like rebuilt. Prolux will then give you a quote for the rebuild and provide shipping instructions.

Product Warranty Registration

Please use the link below to register your Prolux product:

<https://proluxcleaners.com/pages/warranty>

For more information on this product, including warranty info and to contact Prolux Customer Service, follow the link below:

<https://www.proluxcleaners.com>

Environmental tips

Once any electronic product is no longer functional, it should be disposed of in such a way as to cause minimum environmental impact, in accordance with the regulations of your local authority. In most cases you can take such products to your local recycling station.

