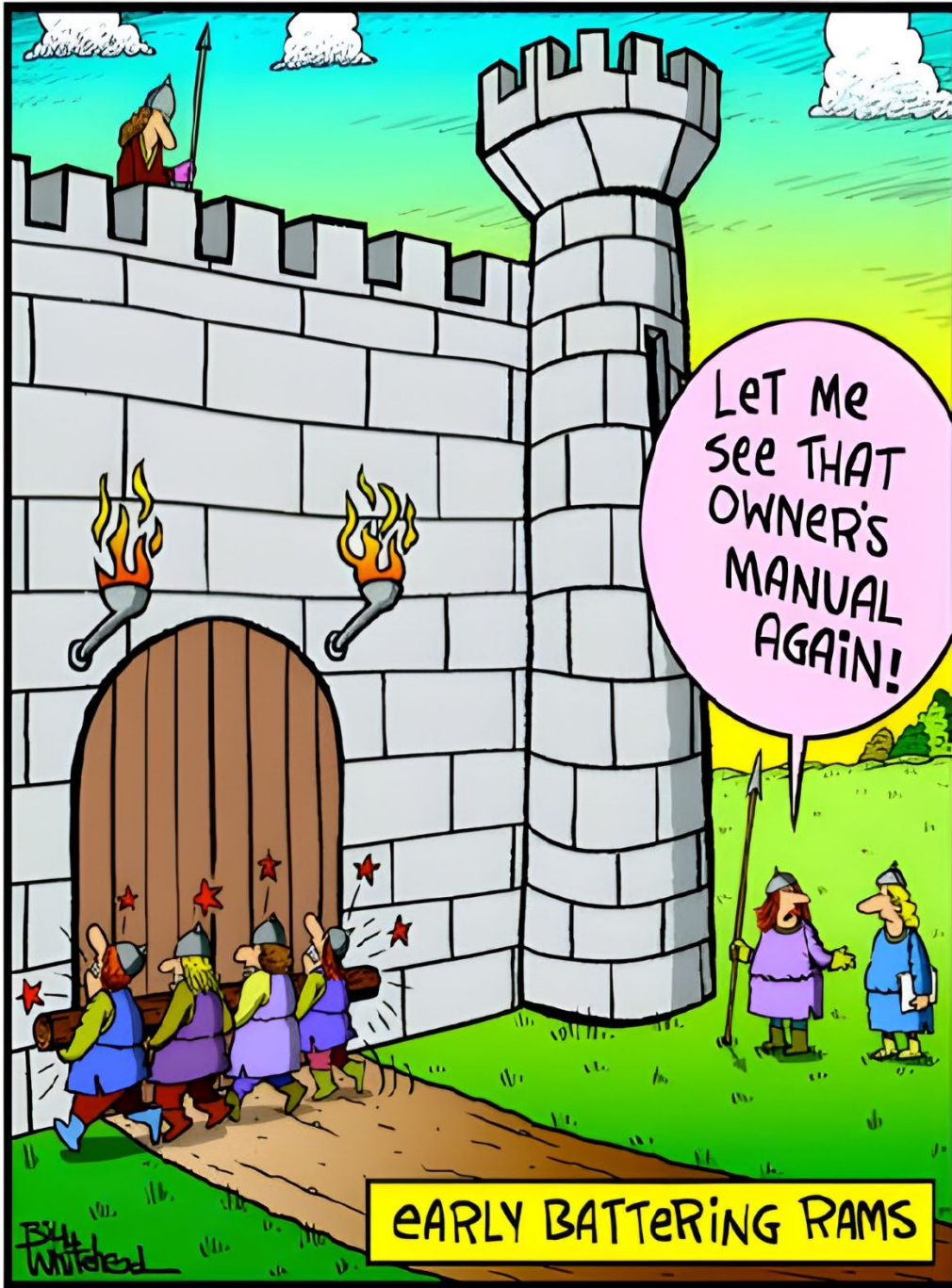


RS7

PROLUX

Instruction Manual



Congratulations on the purchase of your new Prolux RS7 Vacuum!

The RS7 was made with one purpose: to get your cleaning done quickly, so you can spend your time doing what you enjoy. Lightweight, easy to use, and a powerful brush roll to clean almost any surface in your home or car. Why didn't you get one of these sooner?

Register your product at <https://proluxcleaners.com/pages/warranty> to receive the LIFETIME WARRANTY!!!

Table of Contents

Important Safety Instructions	4
Quick Assembly	6
Specifications	7
Warranty	8
Safety	9
Overview	12
RS7 Pet	12
RS7 Pro	13
Attachments	20
RS7 Pet	20
RS7 Pro	21
Operation.....	22
Maintenance.....	26
Troubleshooting.....	31
Frequently Asked Questions	32
Warranty.....	33

Important Safety Instructions

When using an electrical appliance, basic precautions should always be followed, including the following:

READ ALL INSTRUCTIONS BEFORE USING THIS APPLIANCE

Failure to follow the warnings and instructions may result in electric shock, fire and/or serious injury.

WARNING – To reduce the risk of fire, electric shock, or injury:

1. Do not use outdoors or on wet surfaces.
2. Do not allow to be used as a toy. Close attention is necessary when used by or near children, pets or plants.
3. Use only as described in this manual. Use only manufacturer's recommended attachments
4. Do not use with damaged cord or charger. If appliance is not working as it should, has been dropped, damaged, left outdoors, or dropped into water, return it to a service center.
5. Do not pull or carry by cord, use cord as a handle, close a door on cord, or pull cord around sharp edges or corners. Do not run appliance over cord. Keep cord away from heated surfaces.
6. Do not unplug by pulling on cord. To unplug, grasp the plug, not the cord.
7. Do not handle charger, including charger plug, and charger terminals with wet hands
8. Do not put any object into openings. Do not use with any opening blocked; keep free of dust, lint, hair, and anything that may reduce air flow.
9. Keep hair, loose clothing, fingers, and all parts of body away from openings and moving parts.
10. Use extra care when cleaning on stairs.
11. Do not use to pick up flammable or combustible liquids, such as gasoline, or use in areas where they may be present.
12. Do not pick up anything that is burning or smoking, such as cigarettes, matches, or hot ashes.
13. Do not use without dust container and filter.
14. Prevent unintentional starting. Ensure the switch is in the off-position before connecting to battery pack, picking up or carrying the appliance. Carrying the appliance with your finger on the switch or energizing appliance that have the switch on invites accidents.
15. Disconnect the battery pack from the appliance before making any adjustments, changing accessories, or storing appliance. Such preventive safety measures reduce the risk of starting the appliance accidentally.

16. Recharge only with the charger specified by the manufacturer. A charger that is suitable for one type of battery pack may create a risk of fire when used with another battery pack.
17. Use appliances only with specifically designated battery packs. Use of any other battery packs may create a risk of injury and fire.
18. When battery pack is not in use, keep it away from other metal objects, like paper clips, coins, keys, nails, screws or other small metal objects, that can make a connection from one terminal to another. Shorting the battery terminals together may cause burns or a fire.
19. Under abusive conditions, liquid may be ejected from the battery; avoid contact. If contact accidentally occurs, flush with water. If liquid contacts eyes, additionally seek medical help.
20. Liquid ejected from the battery may cause irritation or burns.
21. Do not use a battery pack or appliance that is damaged or modified. Damaged or modified batteries may exhibit unpredictable behavior resulting in fire, explosion or risk of injury.
22. Do not expose a battery pack or appliance to fire or excessive temperature. Exposure to fire or temperature above 130°C may cause explosion.
23. Follow all charging instructions and do not charge the battery pack or appliance outside of the temperature range specified in the instructions. Charging improperly or at temperatures
24. outside of the specified range may damage the battery and increase the risk of fire.
25. Have servicing performed by a qualified repair person using only identical replacement parts.
26. This will ensure that the safety of the product is maintained.
27. Do not modify or attempt to repair the appliance or the battery pack except as indicated in the instructions for use and care.
28. The appliance should be stored, used and charged at a temperature range 40°F~104°F.

SAVE THESE INSTRUCTIONS

Household use only.

Quick Assembly

To view some videos on unboxing, assembling, and using your new vacuum you can find them at the link below, or scan the QR code to go to our YouTube page to see all our videos:

<https://proluxcleaners.com/pages/prolux-rs7-quick-assembly>



Specifications

CFM	30
Water Lift	102"
Suction Power	26 kPa
Filtration Type	HEPA
Charge Time	4 hours
Battery Capacity	2500 mAh

Run Times

Motor Speed	Time (with power head)	Time (without power head)
Low	35 minutes	40 minutes
Medium (default)	21 minutes	26 minutes
High	15 minutes	18 minutes

Features

Bagless

Extendable wand

Cordless

Easy to use

Wall mounted

Easy charging

Full size or handheld use

Removeable battery

Charge battery 3 different ways

LED lights

Easy brush roll removal

Cleaning tool

Power head connects directly to vacuum

Warranty

We take pride in the quality of our products, and most of our time and money is spent on R&D rather than on advertising. Because of this, we are confidently offering a **Lifetime Warranty**. We only require that you register your machine within 90 days of purchase. If a machine is not registered, we can only offer a 1-year warranty on the machine. When you register your machine not only will you receive the **Lifetime Warranty**, but you will also receive:

- **FREE** shipping on any warranty claims.
- **FREE** shipping on any order returned within the 61-day return period.
- Mailing list notifications - The #1 thing that kills vacuums is lack of maintenance, so when you register your product, we will provide reminders when it's time to replace your filters, etc.
- Coupons and offers for discounts on supplies.

Registering is simple. Just go to the warranty section of our website below and fill out the form. Once registration is complete, you'll be covered.



<https://proluxcleaners.com/pages/warranty>

Safety



Read the owner's manual in its entirety before using this product. Failure to do so can result in serious injury or death. Prolux takes no responsibility for damages/injuries due to violations of the following operating instructions.

Notices for your safety are specially marked. Always observe these notices to avoid any damage to the appliance.

WARNING: Warning concerning health hazards describing possible risks of injury.

ATTENTION: Warning concerning possible dangers to the appliance or other objects.

NOTE: Highlight tips for you.

Keep the operating manual for reference. Include the operating manual if you pass the appliance to third parties.

WARNING - To reduce the risk of fire, electric shock, or injury:

1. Do not leave the vacuum cleaner plugged in. Unplug from the outlet when not in use, or before servicing.
2. Use only as described in this manual. Use only the recommended attachments and replacement parts.
3. Do not use the appliance outdoors, or on wet surfaces, and do not use it for wet pickup/cleanup.
4. Do not use the charger with a damaged cord or plug. If it is not working as it should, has been dropped, damaged, left outdoors, or dropped into water, contact us for servicing before use.
5. Do not pull or carry the charger by its power cord, do not use the power cord as a handle, or close the door on the power cord. Keep the power cord away from heated surfaces.
6. Only use extension cords suited to the power requirements of the appliance.
7. Never immerse the appliance in water or other liquids.
8. Only operate the appliance if your outlet voltage is the same as indicated on the appliance's nameplate. Using the wrong voltage can destroy the appliance.
9. Do not unplug the power cord from your wall by pulling on the cord. To unplug, grasp the end of the plug, not the cord.
10. Do not handle the power cord/plug or vacuum cleaner with wet hands.

11. Do not put any object into the openings of the vacuum. Do not use the vacuum with any openings blocked. Keep openings free of dust, lint, hair, and anything that may reduce airflow.
12. Keep hair, loose clothing, fingers, and all body parts away from openings and moving parts of the vacuum.
13. Use extra care when cleaning on stairs.
14. Do not use it to pick up flammable or combustible liquids, such as gasoline, or in areas where they may be present.
15. Do not pick up anything that is burning or smoking, such as cigarettes, matches, or hot ashes.
16. Do not use the unit without filters in place.
17. If the power cord is damaged, the manufacturer or an authorized service center must replace it, to avoid a hazard.
18. This appliance is not intended for use by persons (including children) with reduced physical, sensory, or mental capabilities, or lack of experience and knowledge unless they have been given supervision or instructions concerning the use of the appliance by a person responsible for their safety.

Do not vacuum or clean:

- Hair and other parts of the body. They could be sucked in and cause injury.
- Pieces of clothing (e.g., shoe laces, scarves, etc.). They could be sucked in and cause injury.
- Water or other liquids, especially moisture from carpet cleaning agents. Moisture inside the appliance can lead to short-circuiting.
- Toner dust (from laser printers, copying machines, etc.). There is a danger of fire or explosion.
- Pointed objects, glass shards, nails, etc. Such objects destroy the filters.
- Plaster, cement, fine drilling dust, makeup, etc. The filters may clog causing damage to the appliance.
- Never use the appliance near flammable or explosive materials. There is a danger of fire or explosion.
- Never use the appliance outdoors. There is a danger of rain and dirt destroying the appliance.

Children

- Never leave the appliance unattended, and always take special precautions if children or persons who cannot judge dangers are nearby.
- Proper storage, supervision, and keeping children at a safe distance during operation will help avoid the following dangers:
 - Strangulation by the cord.
 - Tripping accidents.
 - Getting hair, appendages, or clothing stuck in vacuum ports.

Persons (including children) who are unable to safely operate the appliance because of physical, sensory, or mental abilities, or lack of experience or knowledge should only use this appliance under the supervision or instruction of a responsible person. Packing materials are not toys. There is a danger of suffocation, KEEP OUT OF REACH OF CHILDREN.

Overview

RS7 Pet



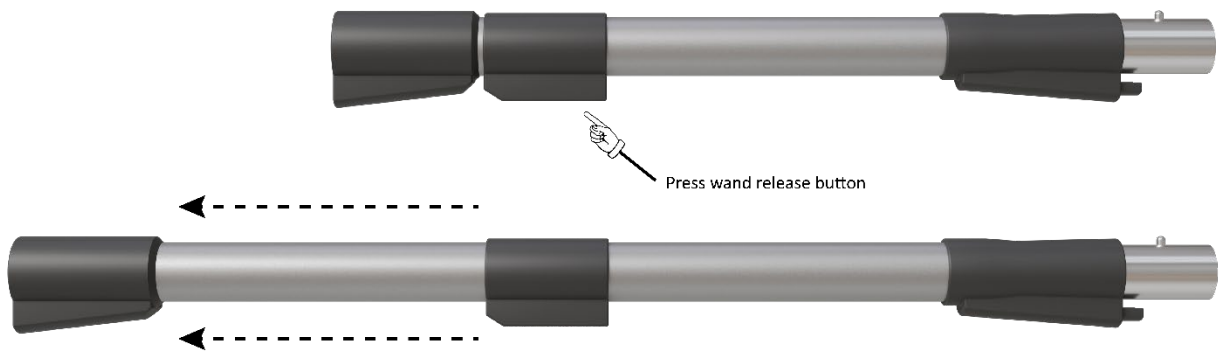
RS7 Pro



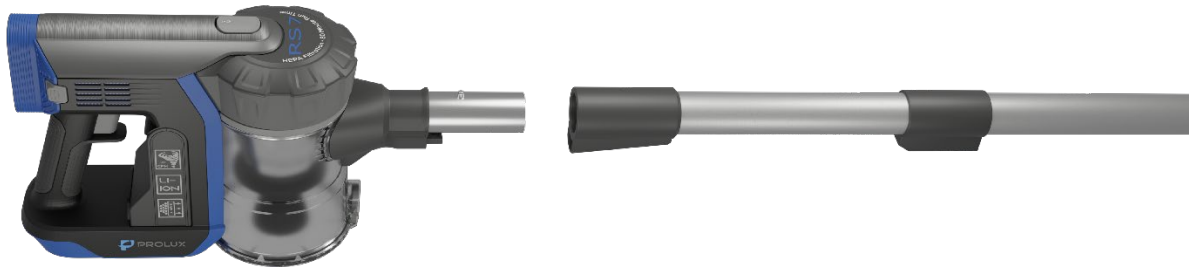
Assembly

1. Unpack everything from the box, making sure all the parts are there (see overview image on previous page).

2. Extend the wand.



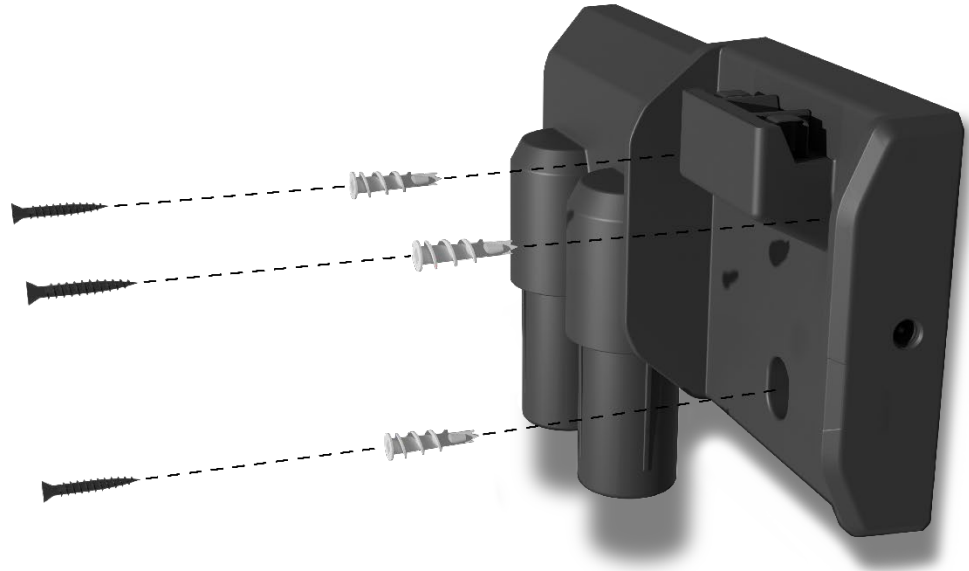
3. Attach the upper end of the wand to the vacuum.



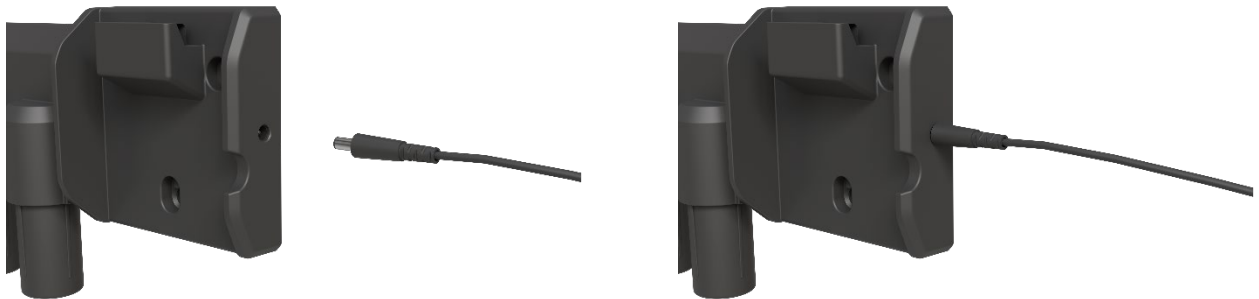
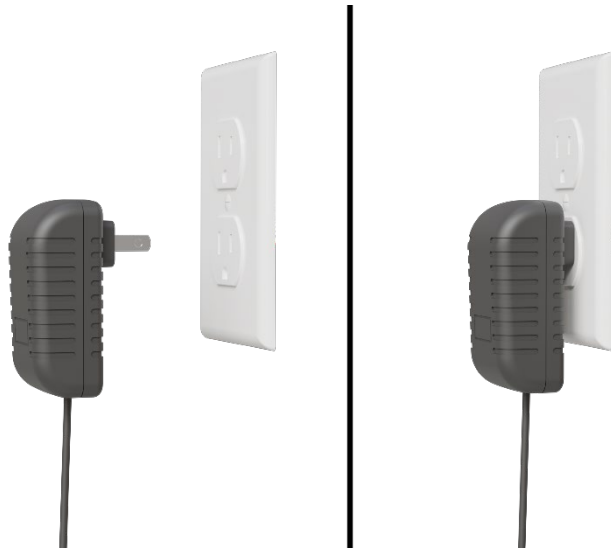
4. Attach the power head to the lower section of the wand.



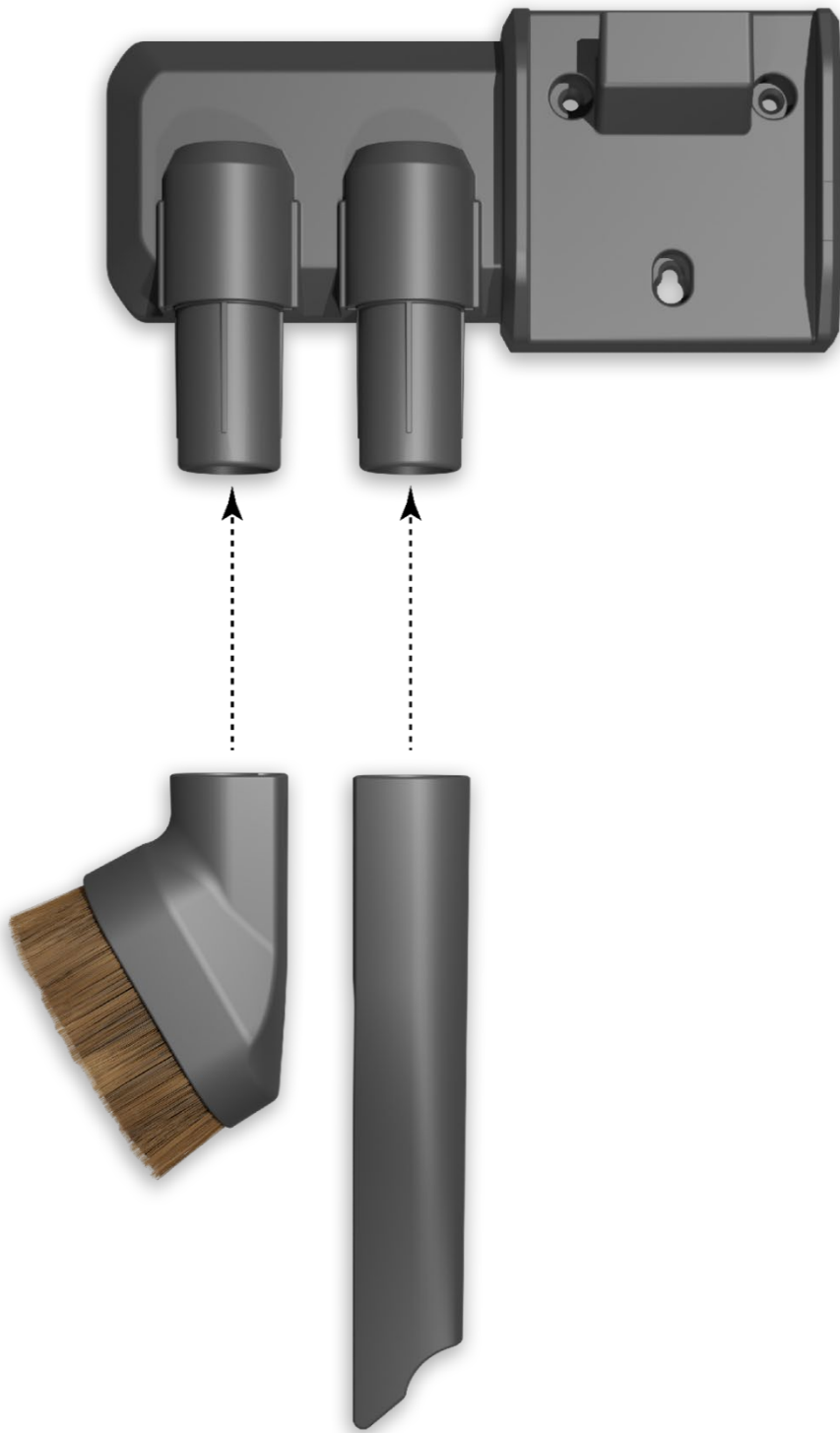
5. Mount tool caddy to the wall using the included hardware.



6. Plug the charger in.



7. Hang tools on the tool caddy.



8. Hang vacuum on the tool caddy.



Attachments

RS7 Pet



1. Aluminum extendable wand
2. RS7 vacuum body
3. Wall-mounted charging dock & tool caddy
4. Duster brush
5. Crevice tool
6. EBK-250 electric power head
7. Extra exhaust filters
8. AC adapter
9. Extra battery
10. Pet hair brush roll for EBK-250 power head

RS7 Pro



1. Aluminum extendable wand
2. RS7 vacuum body
3. Wall-mounted charging dock & tool caddy
4. Duster brush
5. Crevice tool
6. EBK-250 electric power head
7. AC adapter
8. 2 Extra batteries

Operation

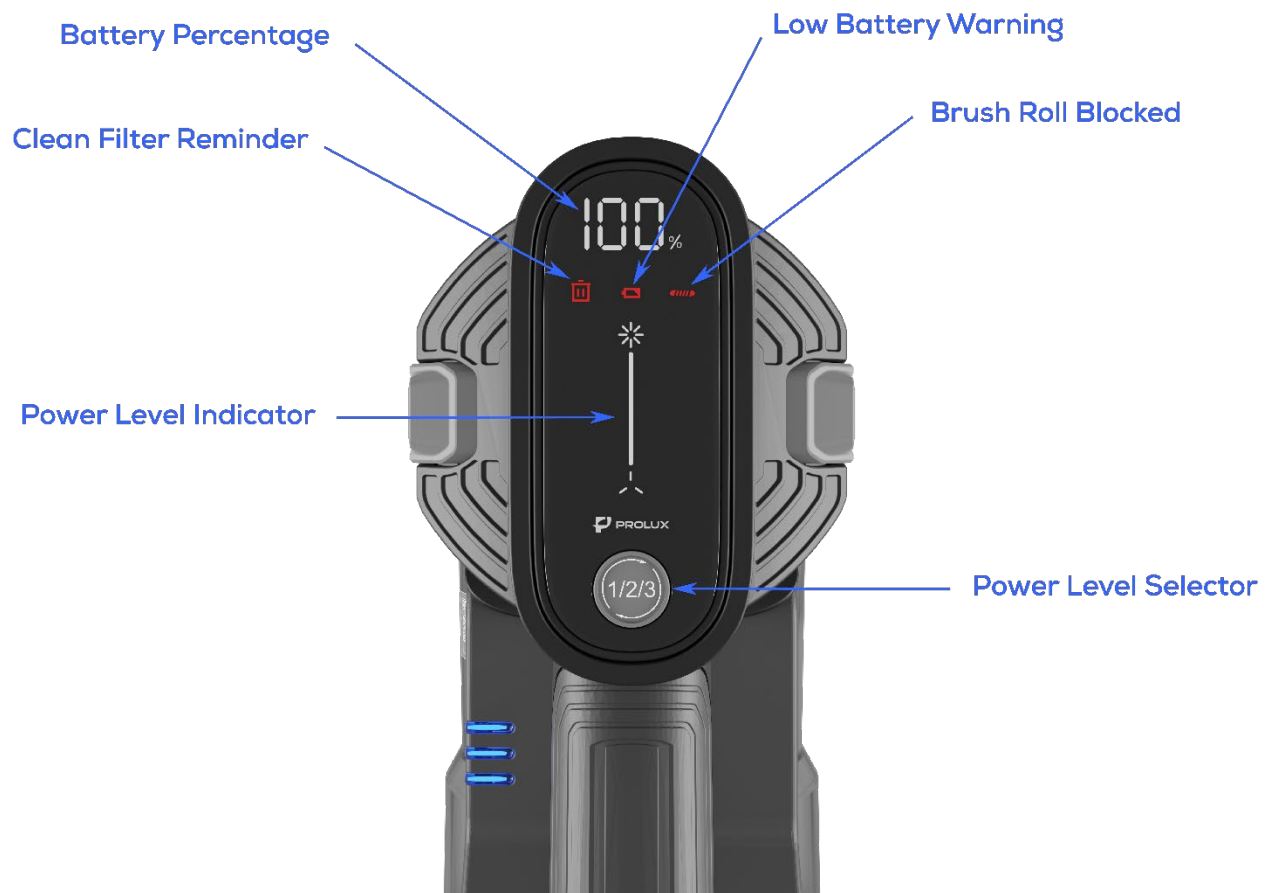
The RS7 allows connecting all included attachments to either the end of the extendable wand or directly to the vacuum body (See illustrations below).



Using the vacuum

1. Assemble the vacuum (see Assembly section).
2. Attach the desired tool to either the vacuum body or the wand.
3. Pull the trigger to turn the vacuum on.
4. Set the desired vacuum speed with the speed selector button on the back of the vacuum.
5. Pull the trigger again to turn the vacuum off.

NOTE: The vacuum will always power on in “medium” speed mode. This mode is recommended for most cleaning applications.



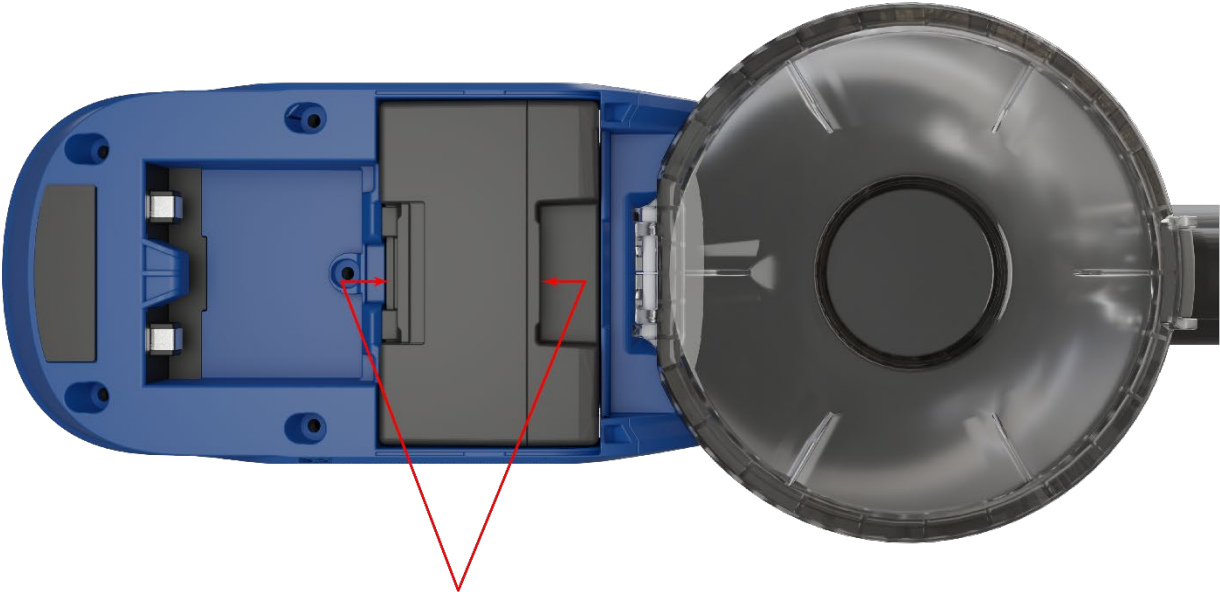
Using the attachments

Duster – for dusting and delicate surfaces such as blinds, fans, and hard surfaces

Crevice – for cleaning hard to reach places such as in between couch cushions and edge cleaning

Power head – for cleaning carpets, rugs, hard floors, stairs, and even upholstery

Changing the battery



Squeeze here to release battery

Charging the battery

The RS7 battery can be charged three different ways. 1) By plugging the charging cord into the wall-mounted tool caddy and hanging the vacuum on the caddy. 2) By plugging the charging cord directly into the vacuum with the battery installed. 3) By removing the battery and charging it separately from the vacuum.

If you are charging the battery while it is still attached to the vacuum, the LCD display will show battery percentage. If you are charging the battery while it is removed from the vacuum, the LED lights on the battery will indicate the charge level. Once all the lights are illuminated and no longer flashing, the battery is fully charged. It is recommended to remove the battery from the charger once the battery is fully charged.



Maintenance

Emptying the dirt bin

Turn the vacuum off. The dirt bin can be emptied with it either connected to the vacuum body or removed from the vacuum body.

To empty the dirt bin, simply hold the bin over a trash can and press the dirt bin release button. The dirt bin lid will pop open and the dirt and dust will remove itself using the amazing power of gravity. Shake the bin a couple of times and close the lid. If you removed the dirt bin from the vacuum body, now is the time to reattach it. Now you're ready to get back to cleaning!



To deep clean the dirt bin, remove the HEPA filter (see following section), then pull the inner cyclone out of the dirt bin. Then you can hand wash the components or wipe them down with a damp cloth. Just make sure everything is completely dry before using the vacuum again.



Changing the filters

HEPA filter

<p>Press the dirt bin release button</p> 	<p>Separate the dirt bin from the vacuum body</p> 
 <p>Twist off the HEPA filter cover</p>	
	<p>Remove and replace the filter. Installation is reverse of removal.</p> 

Exhaust filters

Squeeze the release buttons on both sides of the vacuum



Pull the filter housing backwards away from the vacuum



Remove the filters from the housing and replace with new ones. Installation is reverse of removal.



Brush Roll Replacement

Changing the brush roll is very easy, all you'll need to do is:

1. Remove the power head from the extendable wand.
2. Unlock the brush roll by turning the knob dial on the side of the head to 'OPEN'



3. Once you've unlocked the brush roll simply slide it out.

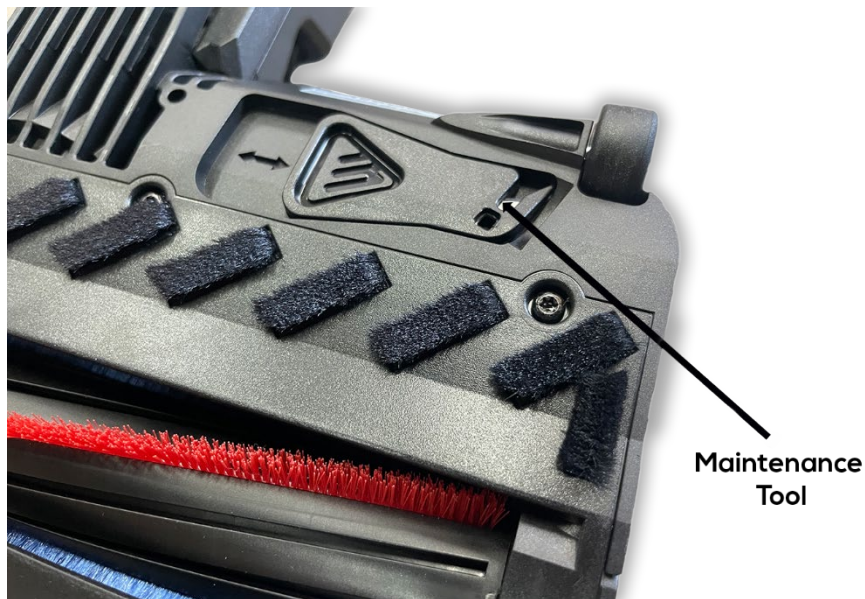


4. To replace the brush roll, slide it back in and lock the knob dial by turning it to 'CLOSE'



Cleaning the Brush Roll

The EBK-250 power head has a built-in brush roll cleaner which helps you remove any built-up hair, string or any other material which has wrapped around the brush roll. To use the cleaning tool simply slide it out of its storage spot on the underside of the head. There is a hook and razor blade end; work the hook under the built-up hair/material, run the blade through, then use your fingers to pull the hair and material off and throw it in the trash. You may need to run the blade through a few times to completely cut everything out.



WARNING: Always switch the appliance off and disconnect the battery before cleaning.

ATTENTION: Do not use cleaning or scouring agents or alcohol, as these might damage the appliance.

Clean the outside of the power head and other components using a slightly damp washcloth or microfiber towel only. Wipe down with a dry towel or let air dry.

Troubleshooting

WARNING: Never use a defective appliance. Always switch the appliance off and remove the battery before you start troubleshooting.

Fault	Possible Cause(s)	Solution
The vacuum will not turn on.	The battery is not fully seated into the vacuum.	Remove the battery and re-insert, ensuring the battery is fully seated into the vacuum.
	The vacuum is not charged.	Attach the vacuum to the charger, and ensure the lights on the battery illuminate to show charging.
	The battery or charger is damaged.	Contact support for replacement parts.
Suction power is low.	The filter is clogged.	Change or clean the filter.
	The power nozzle or attachment wand is clogged.	Remove the debris that is causing the clog. If necessary, use a long wooden stick (e.g., a broomstick) or coat hanger to do this.
	The filter is installed incorrectly.	Remove filters and reinstall; make sure these are correctly put into place when reinstalling.
	The tool attachment being used does not work properly on the surface you are vacuuming.	Attach the appropriate tool for the surface you are vacuuming.
	Dirty filter(s).	Change/clean the filter(s).
The vacuum makes unusual noises or is louder than usual.	The power nozzle, attachment wand, or filters are clogged.	Remove any clogs. If necessary, use a long wooden stick (e.g., a broomstick) or coat hanger to do this.
The power head will not turn on.	The power head is not getting power from the vacuum.	Make sure all electrical connections are secure between the power head and the vacuum cleaner.
	There is an obstruction in the brush roll.	Remove the brush roll and clear the obstruction.

Frequently Asked Questions

<p>Q: How often should I replace my filters?</p>	<p>A: 3-12 months depending on use and the state of your home. Most people will need replacement filters around 6 months but if you live in an exceptionally dusty environment or have multiple shedding furry friends you will want to change them more frequently.</p>
<p>Q: Why is my vacuum not picking up?</p>	<p>A: The dirt bin is full, or there is a clog in the system somewhere. Empty the dirt bin and check the suction directly at the vacuum inlet port. Then check the wand and power head for clogs and remove as necessary.</p>
<p>Q: Where can I find replacement parts and filters?</p>	<p>A: Many replacement parts and filters can be found on our website, proluxcleaners.com</p>
<p>Q: I need help with my vacuum, who do I contact?</p>	<p>A: Email us at service@proluxcleaners.com and we'll be happy to get you taken care of.</p>

Warranty

Why do I have to register my warranty within 90 days to get my Lifetime Warranty?

Proper maintenance will add years to your vacuum's life. When you register your warranty, we will email you maintenance tips, remind you when it is time to maintain your vacuum, provide product info updates, and send you coupons for replacement parts and filters. We do not ever require you to purchase anything OR to prove that you are maintaining your vacuum to be covered by the lifetime warranty. All we care about is that you are getting our reminders. Normally we send out maintenance email reminders once every 6 months.

To register for your Lifetime Warranty, go to:

<https://proluxcleaners.com/pages/warranty>

or scan below with your phone



Questions? Email us at service@proluxcleaners.com

Lifetime Limited Warranty

Prolux guarantees this product's motor to be free from defects in material and workmanship for the lifetime of the motor, and for three (3) years of the body of the cleaner, when utilized under normal operating conditions.

What is Not Covered by the Prolux Warranty - Warranty Exclusions:

This limited warranty does not extend to and expressly excludes:

1. Normal wear and tear and/or replacement attachments or accessories, including, without limitation, the wand, powerhead, and other attachments to the cleaner.
2. Damage or burnout of the cleaner's body or motor resulting from failure to clear a blockage occurring during the normal course of use.
3. Loss or damage to the cleaner body resulting from conditions beyond the control of Prolux including without limitation, misuse, accidents, abuse, neglect, negligence from the customer, overuse beyond the capacity of the cleaner, or unauthorized modification and/or alteration.
4. Loss or damage to the cleaner resulting from failure to follow the required maintenance schedule or failure to use the cleaner by written instructions from Prolux, guidelines, or the terms of its Owner's Manual.

If your appliance fails to operate properly while in use under normal household conditions within the warranty period, please contact Prolux Cleaners directly at service@proluxcleaners.com. Non-durable parts including, without limitation, cords and switches, which normally require replacement, are specifically excluded from the warranty. This warranty is limited solely to the cost of the repair or replacement of the unit at the option of Prolux. This warranty does not cover normal wear of parts and does not apply to any unit that has been tampered with (by an unauthorized user) or used for commercial purposes. This limited warranty does not cover damage caused by shipping damage, misuse, abuse, negligent handling, or damage due to faulty packaging or mishandling in transit.

This warranty is extended to the original purchaser of the unit only and is not transferable.

***IMPORTANT:** Before sending the unit back for warranty work, contact Prolux Cleaners first.

Unauthorized warranty claims may be sent back.

Authorized Warranty claims: Prolux Cleaners shall be responsible for all parts, labor, and shipping if the item is registered. If the item is NOT registered Prolux shall be responsible for the parts and labor of the repair and the customer shall be responsible for ALL shipping charges to AND from the Prolux service center. Prolux is constantly striving to improve our products. Therefore, the specifications contained herein are subject to change without notice.