

TORRENT™

Conquer extreme heat with Torrent, the ultimate portable cooling powerhouse ideal for outdoor spaces, warehouses, and sporting events. Featuring a powerful 30-inch fan with atomizing mister and a 35-gallon refillable tank, Torrent delivers over 48 hours of ultra-fine mist to keep you cool, dry, and comfortable without soaking.



KEY FEATURES

- ▶ **35-gallon tank** for over 48 hours of uninterrupted cooling
- ▶ **UV-resistant housing** and steel cage for indoor or outdoor use
- ▶ **Atomizing mister** cools up to 25 degrees
- ▶ **10-foot power cord** plugs into standard outlets
- ▶ **Plug-and-play setup** and simple, convenient maintenance
- ▶ **Durable 6-inch wheels** for convenient mobility

DIAMETER

30 INCHES
(762 MM)

COVERAGE

UP TO
2,725 SQ FT

VOLTAGE

100-120 VAC

WARRANTY

UP TO
5 YEARS



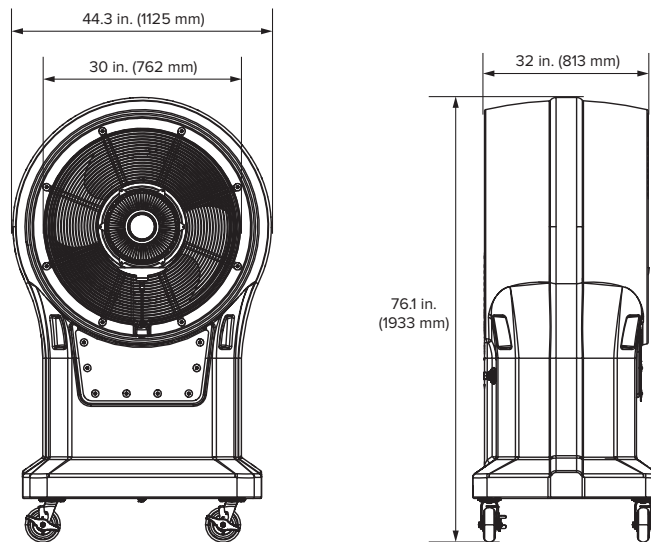
BIG ASS FANS®

**DISCOVER MORE
ABOUT TORRENT**

Learn more at bigassfans.com
or call **877.BIG.FANS** for a free custom quote.

TORRENT™

MAXIMUM MIST, MINIMUM HASSLE



Technical Specifications

Input Power and Required Breaker	Fan Max Amps	Fan Max Power	Max Speed	Airflow and Coverage	Misting System Max Amps	Misting System Max Power	Water Capacity	Weight ¹	Inlet Water Supply Pressure	Operating Temperature ²	Sound at Max Speed ³
100–120 VAC, 1 Φ, 50/60 Hz, 15 A	10.2 A	657 W	956 RPM	Up to 6,874 CFM Up to 2,725 sq ft	1.23 A	137.32 W	35 gal (132 L)	190 lb (86.2 kg)	60 PSI Max	0° to 122° F (-18° to 50° C)	63.2 dBA

Construction Features

Housing and Cage	Power Supply	Control	Misting System	Water Supply	Environment ⁴	Colors	Accessories	Maintenance
UV-resistant roto-molded polyethylene housing OSHA-compliant steel wire cage Two precision-balanced blades Four 6-in. (152-mm) braking swivel casters	10 ft (3 m) cord with plug fits standard power outlet Cord wrap for easy storage	Infinitely variable speed control with mister on/off switch	UV-resistant, flame-retardant ABS housing 0.5 gal/h (1.89 l/h) water usage	Integrated water reservoir accepts standard garden hose Water level regulated by float valve Low-water shutoff for pump longevity	IP54 for indoor or outdoor use	Black housing, motor, and cage with yellow blades	Protective cover	Drain plug for water removal Removable access panel for easy reservoir cleaning



¹ Weight with water reservoir empty.
² Misting system not intended for use at temperatures at or below 32° F (0° C). Water in system will freeze.
³ Sound data was gathered in a manner similar to ISO acoustical test standards and represents average bystander positions at distances of 1 m and 3 m from the fan. Fans are sound tested at maximum speed in a laboratory environment. Actual results in field conditions may vary due to sound reflecting surfaces and environmental conditions.
⁴ Not suitable for salt air environments. Do not leave fan outdoors for extended periods of time or in anticipation of inclement weather.



Lead times may vary.
See full warranty for coverage information.



USA
BIGASSFANS.COM
877-244-3267

CANADA
BIGASSFANS.COM
844-924-4277

AUSTRALIA
BIGASSFANS.COM/AU
1300 244 277

SINGAPORE
BIGASSFANS.COM/SG
65 6709 8500

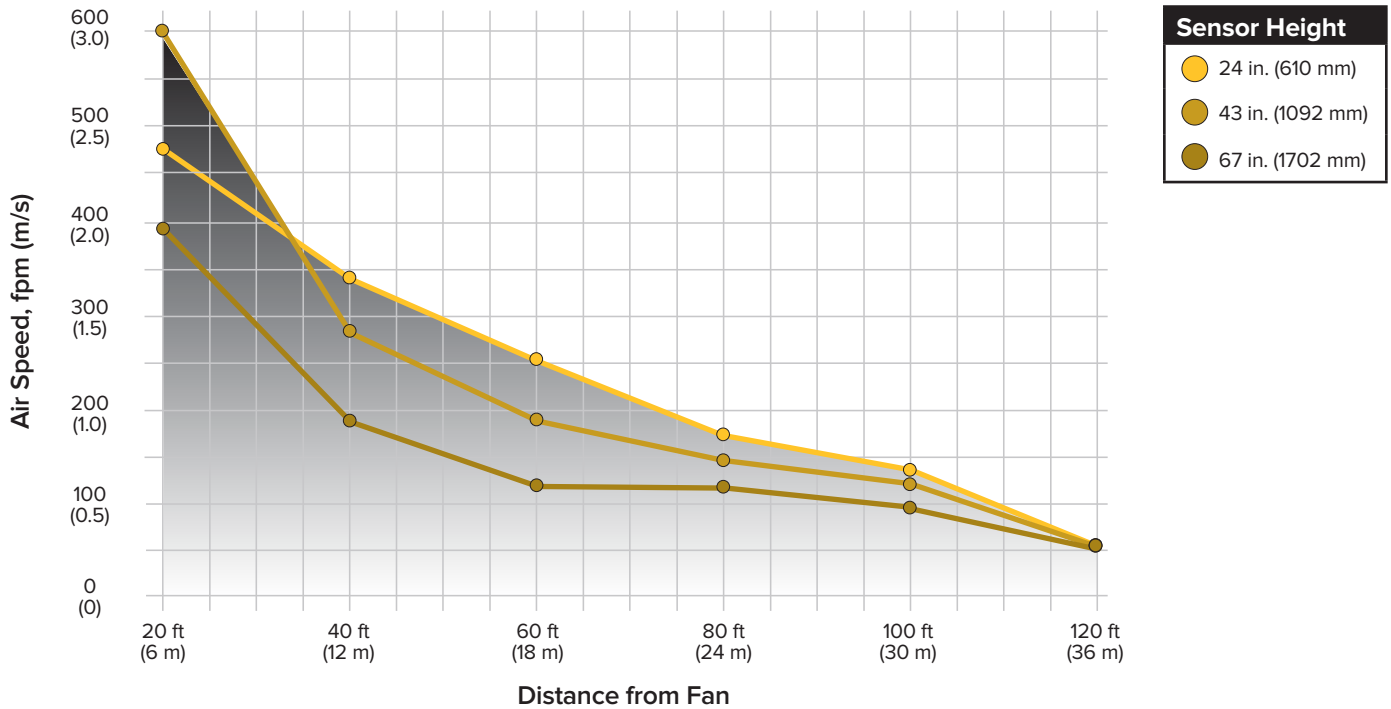
TORRENT™

AIRFLOW



AIRFLOW VELOCITY

The three lines show air velocity from the center of the fan at three sensors of varying height.



AIRFLOW COVERAGE

Shaded areas represent cooling up to 120 feet (36.6 meters). That's one-third the length of a football field! Darker shading indicates faster air speeds.

