

Downblast Direct Drive Spun Aluminum Exhausters

ALX-DD SERIES

Ideal for exhausting air from factories, offices, warehouses or commercial buildings.

FEATURES

- Spun aluminum housing will not rust, chip or peel.
- Aluminum backward inclined wheel is non-overloading.
- EC motors available, see ALX-DD-EC.
- Variable speed PSC Motors available on ALX 090/105/120
- All units can be wall or roof mounted.
- Quick release latches for easy motor access on ALX135 – ALX165.
- Comes with bird screen.



**QUICK RELEASE LATCHES
FOR EASY MOTOR ACCESS**

OPTIONS & ACCESSORIES

- Motorized damper
- Gravity (automatic) damper
- Wall mount bracket (for all sizes up to 24")
- Curb hinge
- Disconnect switches
- Roof Curbs
- MC series solid state variable speed controls (ALX 105/120)
- Other base (curb cap) options available. See C2 in dimensions table.

DISCONNECT SWITCHES

Disconnect switches are available. See Controls & Thermostats section for details.





ALX-DD SERIES Downblast Direct Drive Spun Aluminum Exhausters

PERFORMANCE SPECIFICATIONS

MODEL	MOTOR			Airflow (CFM) @ Static Pressure																
	HP	Variable Speed	Max RPM	0" SP		1/4" SP		1/2" SP		3/4" SP		1" SP		1-1/4" SP		1-1/2" SP		1-3/4" SP		
				High	Low	High	Low	High	Low	High	Low	High	Low	High	Low	High	Low	High	Low	High
ALX090DD	1/12	Y	1650	500	250	425	100	300	100	-	-	-	-	-	-	-	-	-	-	-
ALX105-DD013V	1/8	Y*	1650	950	526	875	451	760	225	-	-	-	-	-	-	-	-	-	-	-
ALX120-DD033V	1/3	Y*	1650	1300	977	1200	901	1000	751	800	601	600	451	-	-	-	-	-	-	-
ALX135-DD075S	3/4	N	1650	2134	-	2025	-	1897	-	1750	-	1593	-	1422	-	1195	-	-	-	-

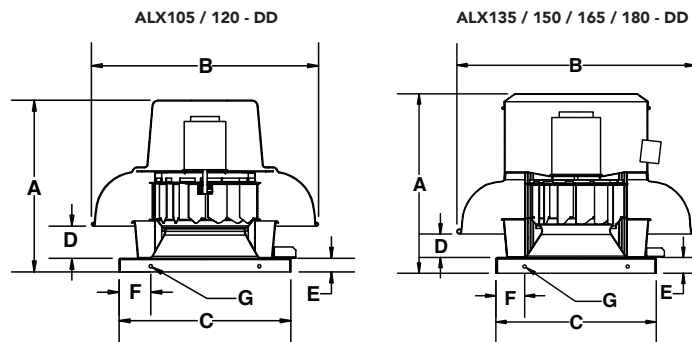
MODEL	MOTOR			AIRFLOW (CFM) @ STATIC PRESSURE																				
	HP	Variable Speed	Max RPM	0" SP			1/4" SP			1/2" SP			3/4" SP			1" SP			1-1/4" SP			1-1/2" SP		
				CFM	FEI	FEPact (KW)	CFM	FEI	FEPact (KW)	CFM	FEI	FEPact (KW)	CFM	FEI	FEPact (KW)	CFM	FEI	FEPact (KW)	CFM	FEI	FEPact (KW)	CFM	FEI	FEPact (KW)
ALX150-DD100S	1	N	1750	2500	0.82	0.62	2400	1.02	0.63	2250	1.18	0.64	2075	1.32	0.64	1950	1.48	0.63	1775	1.62	0.61	-	-	-
ALX165-DD150S	1 1/2	N	1750	3400	0.56	1.16	3200	0.68	1.20	3100	0.80	1.24	2900	0.89	1.27	2700	1.00	1.22	2600	1.04	1.30	2100	0.98	1.30

* Using MC5 for 115V or MC5-230 for 230V

DIMENSIONS

MODEL	DIMENSIONS (INCHES)										Wheel Diameter	Roof Opening	WEIGHT (lbs)
	A	B	C	C2	D	E	F	G	Ø				
ALX090-DD	14.5	20.75	19	-	-	2	-	-	9	13	30		
ALX105-DD	18.00	25.00	19.00	21.00	2.50	1.50	3.50	0.38	10.50	15.00	33		
ALX120-DD	19.00	25.00	19.00	21.00	3.50	1.50	3.50	0.38	12.25	15.00	35		
ALX135-DD	22.25	31.25	21.00	24.75	3.13	2.00	3.75	0.44	13.50	17.00	51		
ALX150-DD	23.13	31.25	21.00	24.75	3.75	2.00	3.75	0.44	15.00	17.00	56		
ALX165-DD	27.13	36.25	24.75	28.00	5.00	2.00	4.00	0.44	16.50	20.75	100		

** Model is not for use in restaurant exhaust applications



Canam certifies that the ALX-DD Series shown herein are licensed to bear the AMCA Seal. The ratings shown are based on tests and procedures performed in accordance with AMCA Publications 211 & 311 and comply with the requirements of the AMCA Certified Ratings Programme. The AMCA certified ratings seal applies to air and sound performance only. The ALX-DD Series shown herein are not approved by AMCA for FEI ratings.