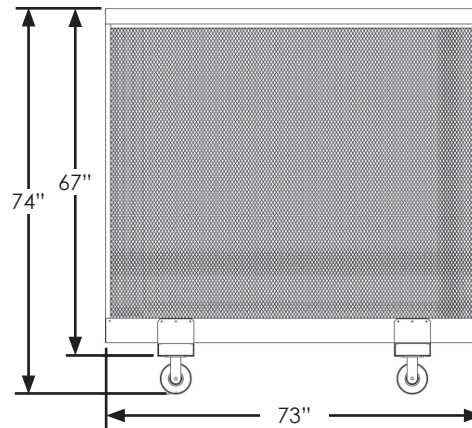


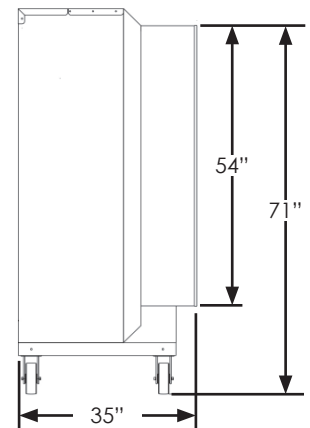
48" SWAMPNESS MONSTER EVAPORATIVE COOLER



Front View



Side View



TECHNICAL SPECIFICATIONS

Model	SM-48-B-120
Dimensions	48 inches
Finish	Black powder coat
Fan Blades	3 propeller, stainless steel
Weight (waterless)	625 lbs
Input Power	115 1Ph/60Hz or 230v 1Ph/60Hz
Power Consumption	115v: 8.5A, 230v: 9.5A
Drive	Belt, single speed
Water Consumption	17 gal/hr
CFM	17,500
Cooling Area per Ft²	4,000
Controls	Single speed, touch pad interface
Water Pads	Anti-bacterial coating
Enclosure	Hinged top cover for easy access
Pump	On/Off capability w/ low water safety shut off
Unit Dimensions	74"h x 73"w x 35"d
Shipping Dimensions¹	84"h x 80"w x 44"d

¹ Item is shipped with casters pre-installed.



SkyBlade Fan Company | Where Form Follows Function

24501 Hoover Road, Warren, Michigan 48089 USA
+1 (586) 806-5107 | sales@skybladefans.com
www.skybladefans.com | www.swampnessmonster.com

Concurrent with our continuing product improvement program, specifications are subject to change without notice. Please contact SkyBlade Fan Company for latest information. Some features illustrated may be optional in certain market areas.

